

16

15

14

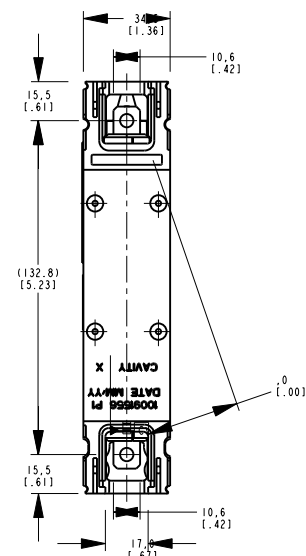
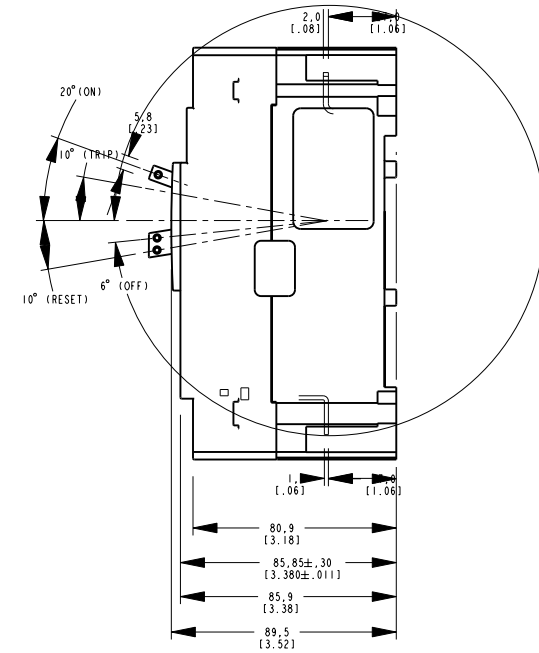
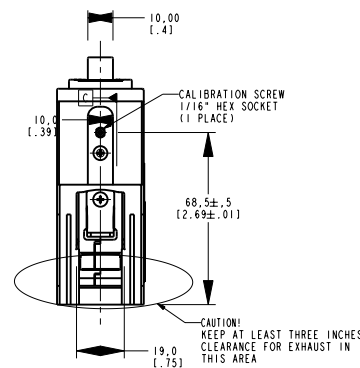
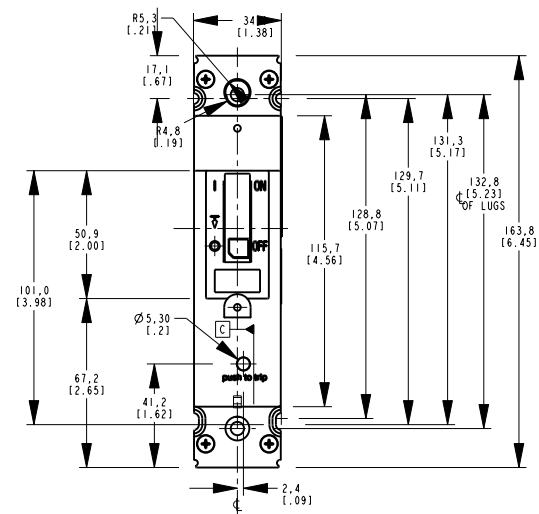
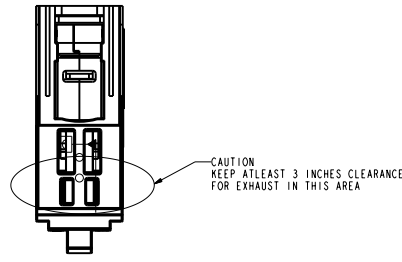
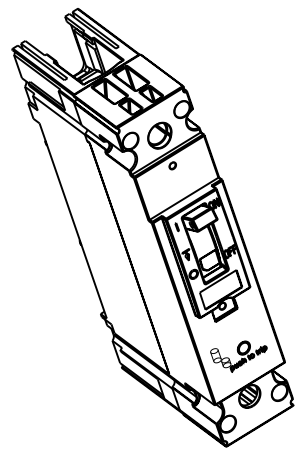
13

12

STATE DRAWING NO. A1 10091632 3 1

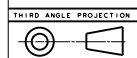
GE PROPRIETARY AND CONFIDENTIAL INFORMATION  
 This document is the property of General Electric Company ("GE") and contains proprietary information of GE. This document is loaned to the recipient under the condition that it will be used for the specific purpose intended and will not be disclosed, copied, or otherwise used for any other purpose without the express written consent of GE. General Electric and the GE logo are trademarks of GE. All other marks are the property of their respective owners. This document may be subject to copyright restrictions under U.S. export control laws and regulations.

REVISIONS			
REV.	DESCRIPTION	DATE	APPROVED
1	CR R0400415	SAR 01/28/04	
2	CR R0402537	SAR 05/04/04	
3	CR R0401400	SAR 05/11/04	



HANDLE OPERATING FORCES	
OFF TO ON	80 N (MAX)
ON TO OFF	52 N (MAX)
TRIP TO RESET	82 N (MAX)

NOTES: DIMS IN BRACKET ARE IN INCHES



16

15

14

13

12

11

FOR ADDITIONAL INFO REFER TO: APPLIED PRACTICES	SIGNATURES DETAIL SAR 01/28/04 CHECKED SAR 01/28/04	DATE 01/28/04	 GENERAL ELECTRIC COMPANY
UNLESS OTHERWISE SPECIFIED IN DRAWING	TITLE ASM, BREAKER ( 1 POLE ) FB100	SCALE: 1:1	
TOLERANCE ON: 1 PL DECIMALS ± 0.3 2 PL DECIMALS ± 0.13 ANGLES ± 1.0 FRACTIONS ±	ISSUED	DATE DRAWING A1	REV 3
FINISH CRITICAL TO QUALITY CHARACTERISTIC	DRAWING FILE: 1009163201 SOLID MODEL: 1009163201	REF. No.:	SHEET 1 OF 1 METRIC