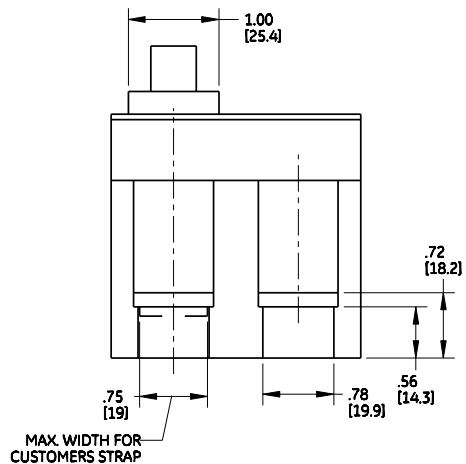


MAX. WIRE RANGE  
 1 - 300 MCM  
 CU-AL



DUAL DIMENSIONS - INCHES  
 [MILLIMETERS]



imagination at work

OUTLINE DRAWING - CIRCUIT BREAKER  
 TQD & THQD 2 POLE - 225

DWG NO.

455C765SH3

DATE

12/15/09

REV

01