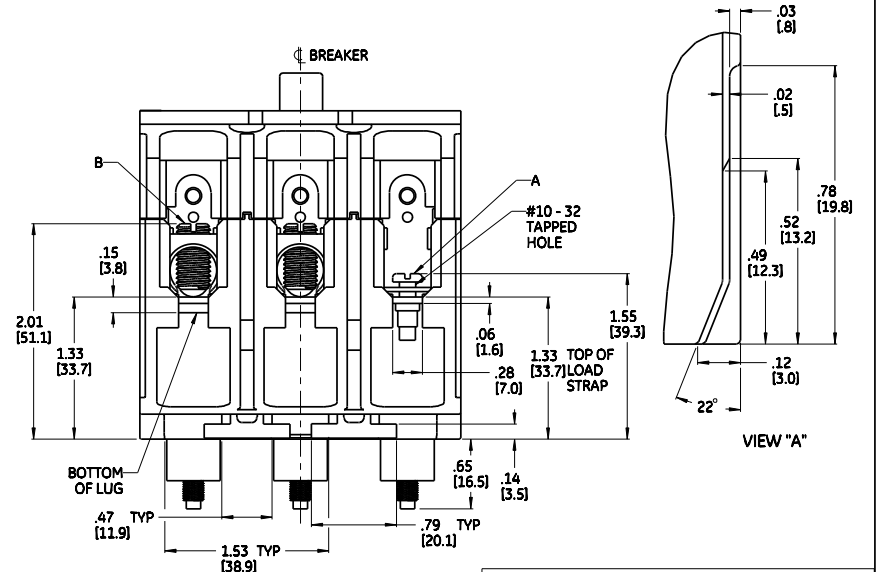
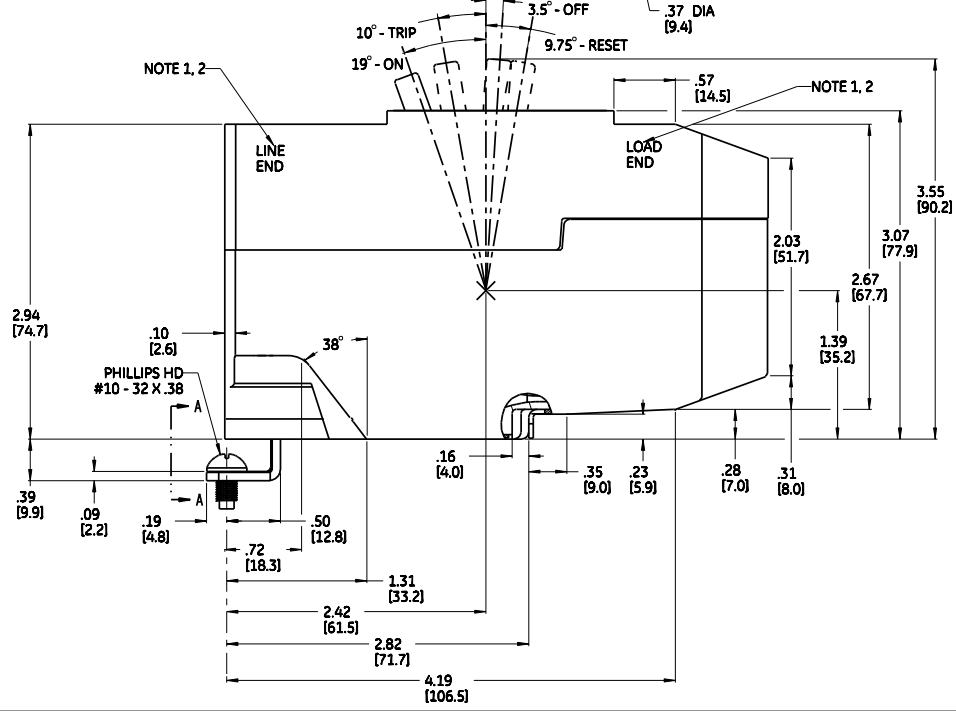


NOMINAL HANDLE OPERATING FORCES (LBS)	
ON TO OFF	6.5
TRIP TO RESET	7.5
OFF TO ON	2.2

WIRE CONNECTOR	USED ON	WIRE RANGE		LOAD END LUG TORQUE TO WIRE	LINE END MOUNTING SCREW TORQUE
		CU	AL		
A (SADDLE CLAMP)	15A - 20A	#12 - #14	#10 - #12	#10, 12, 14 - 35LB - IN	25 - 32LB - IN
B (LUG)	30A - 60A	#10 - #6	#8 - #4	#10 - 35LB - IN #8 - 40LB - IN #6, #4 - 45LB - IN	
	70A - 100A	#4 - #1	#2 - I/O	#4 - I/O - 45LB - IN	

NOTE: 1. TEY BREAKER IS SUITABLE FOR REVERSE FEEDING, NO LINE AND LOAD MARKING.
 2. TEVF BREAKER IS NOT SUITABLE FOR REVERSE FEEDING, LINE AND LOAD MARKING WILL APPEAR.
 3. THIS LABEL AND MARKING ON TEVF BREAKER ONLY.



DUAL DIMENSIONS - INCHES [MILLIMETERS]

imagination at work

OUTLINE DRAWING-CIRCUIT BREAKER
TEY, TEVF - 3 POLE

DWG NO. 139C5696SH3	DATE 12/03/09	REV 6
------------------------	------------------	----------