

# Product data sheet

Specifications

SQUARE D



Mini circuit breaker, QO, 15A, 3 pole, 208Y/120VAC, 10kA, 6mA grd fault A, pigtail, plug in mount

QO315GFI

## Main

|                       |                                      |
|-----------------------|--------------------------------------|
| Product               | Miniature circuit-breaker            |
| Range                 | QO                                   |
| Current Rating        | 15 A                                 |
| Voltage Rating        | 208Y/120 V AC                        |
| Mounting Type         | Plug-in                              |
| Number of Poles       | 3P                                   |
| Circuit Breaker Type  | Ground fault protecting class A 6 mA |
| Ratings               | Not rated                            |
| Electrical Connection | Pressure plate                       |

## Complementary

|                        |   |
|------------------------|---|
| Interrupt Rating       | 10 kA 208Y/120 V AC 50/60 Hz  |
| Number of Panel Spaces | 3   |
| Wire Size              | AWG 14...AWG 8 copper<br>AWG 12...AWG 8 aluminum  |
| Tightening Torque      | 40.71 lbf.in (4.6 N.m) 0.00...0.02 in <sup>2</sup> (2.5...10 mm <sup>2</sup> ) AWG 16...AWG 14)<br>40.71 lbf.in (4.6 N.m) 0.01...0.03 in <sup>2</sup> (4...20 mm <sup>2</sup> ) AWG 12...AWG 4) |
| Height                 | 4.13 in (105 mm)  |
| Width                  | 2.24 in (57 mm)   |
| Depth                  | 2.91 in (74 mm)   |
| Net weight             | 1.41 lb(US) (0.640 kg)  |

## Environment

|                |                  |
|----------------|------------------|
| Certifications | UL listed<br>CSA |
| Ambient Rating | 104 °F (40 °C)   |

## Packing Units

|                              |                   |
|------------------------------|-------------------|
| Unit Type of Package 1       | PCE               |
| Number of Units in Package 1 | 1                 |
| Package 1 Height             | 3.00 in (7.62 cm) |

---

|                         |                      |
|-------------------------|----------------------|
| <b>Package 1 Width</b>  | 2.25 in (5.718 cm)   |
| <b>Package 1 Length</b> | 5.38 in (13.665 cm)  |
| <b>Package 1 Weight</b> | 22.56 oz (639.565 g) |

---

## Offer Sustainability

---

|                                   |   |
|-----------------------------------|---|
| <b>REACH Regulation</b>           | <a href="#">REACH Declaration</a>   |
| <b>EU RoHS Directive</b>          | Compliant<br><a href="#">EU RoHS Declaration</a>  |
| <b>Mercury free</b>               | Yes   |
| <b>China RoHS Regulation</b>      | <a href="#">China RoHS declaration</a><br>Product out of China RoHS scope. Substance declaration for your information |
| <b>RoHS exemption information</b> | <a href="#">Yes</a>   |

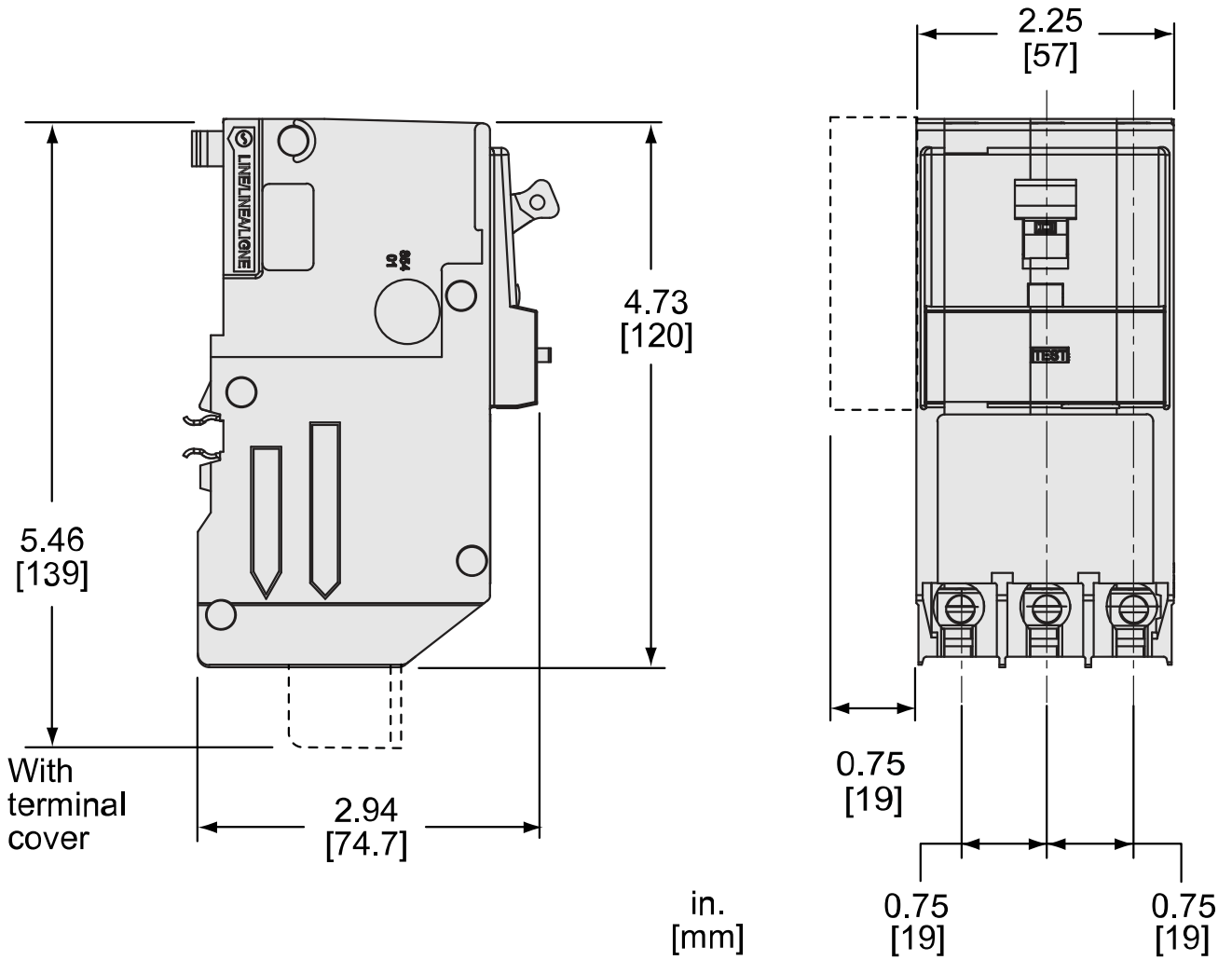
---

## Contractual warranty

---

|                 |           |
|-----------------|-----------|
| <b>Warranty</b> | 18 months |
|-----------------|-----------|

Dimensions



Recommended replacement(s)