

Product data sheet

Specifications

SQUARE D

Green Premium™



Circuit breaker, PowerPacT Q,
125A, 3 pole, 240VAC, 100kA, lugs,
thermal magnetic, 80%

QJL32125

Main

Range	PowerPact
Product name	PowerPact Q
Product or component type	Circuit breaker
Device application	Distribution

Complementary

[In] rated current	125 A
Number of Poles	3P
Control type	Operating handle
Breaking capacity code	J
Breaking capacity	100 kA 120/208 V AC 50/60 Hz UL
[Ue] rated operational voltage	240 V AC 50/60 Hz UL
Network frequency	50/60 Hz
[Uimp] rated impulse withstand voltage	8 kV UL
Trip unit technology	Thermal-magnetic
Magnetic tripping current	2400 A
Magnetic hold current	1200 A
Continuous current rating	80 %
Utilisation category	Category A
Mechanical durability	1000 cycles loaded 5000 cycles no load
Local signalling	1 trip indicator green)
Mounting mode	Unit mount lug)
Mounting support	Lug
Electrical connection	Lugs load Lugs line
Tightening torque	247.82 lbf.in (28 N.m) 0.04...0.23 in ² (25...150 mm ²) AWG 4...300 kcmil)
Power wire stripping length	0.87 in (22 mm)
Height	6.47 in (164.34 mm)
Width	4.5 in (114.30 mm)

Depth	3.93 in (99.82 mm)
-------	--------------------

Environment

Standards	UL CSA NEMA NOM-003-SCFI-2000
-----------	--

Product certifications	UL CSA NOM
------------------------	------------------

Ambient air temperature for operation	104...158 °F (40...70 °C)
---------------------------------------	---------------------------

Packing Units

Unit Type of Package 1	PCE
------------------------	-----

Number of Units in Package 1	1
------------------------------	---

Package 1 Height	5.56 in (14.127 cm)
------------------	---------------------

Package 1 Width	5.81 in (14.757 cm)
-----------------	---------------------

Package 1 Length	9.75 in (24.765 cm)
------------------	---------------------

Package 1 Weight	4.74 lb(US) (2.15 kg)
------------------	-----------------------

Offer Sustainability

Sustainable offer status	Green Premium product
--------------------------	-----------------------

REACH Regulation	REACH Declaration
------------------	-----------------------------------

REACH free of SVHC	Yes
--------------------	-----

EU RoHS Directive	Compliant EU RoHS Declaration
-------------------	--

Mercury free	Yes
--------------	-----

China RoHS Regulation	China RoHS declaration Product out of China RoHS scope. Substance declaration for your information
-----------------------	---

RoHS exemption information	Yes
----------------------------	---------------------

Environmental Disclosure	Product Environmental Profile
--------------------------	---

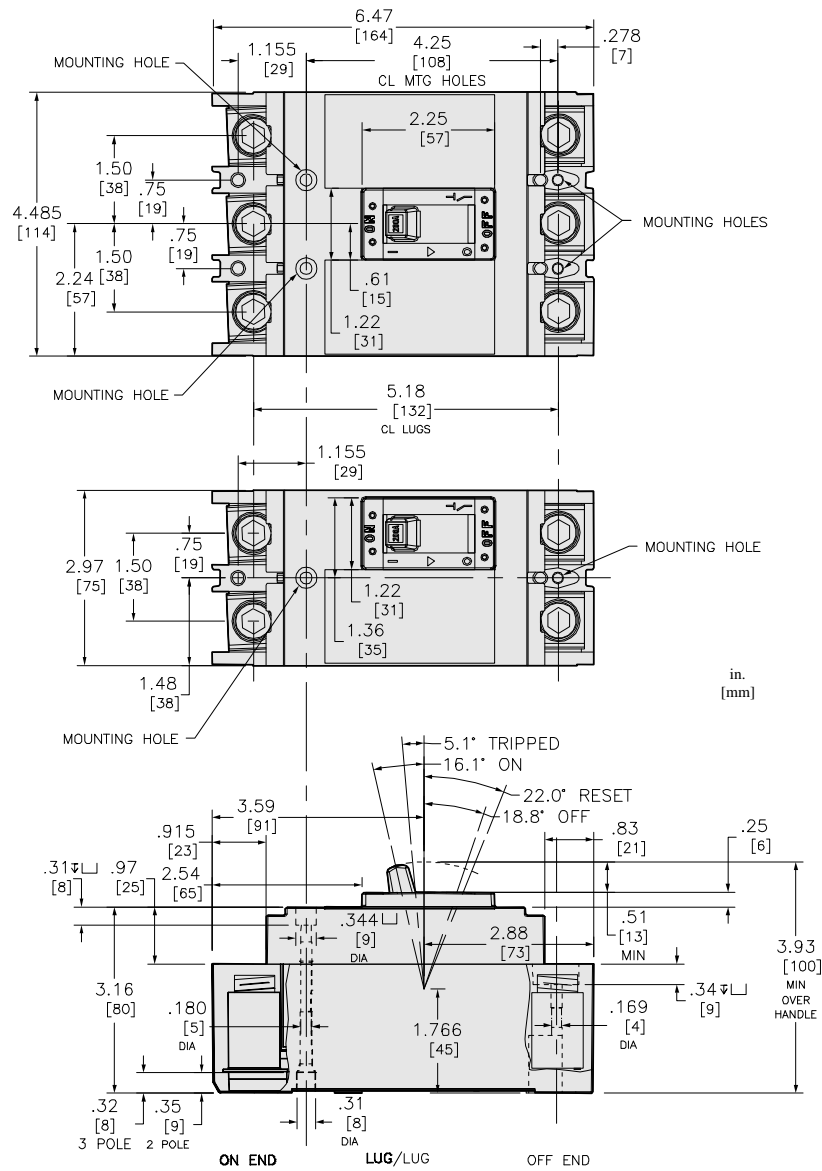
PVC free	Yes
----------	-----

Halogen content performance	Halogen free product
-----------------------------	----------------------

Contractual warranty

Warranty	18 months
----------	-----------

Dimensions



ALL DIMENSIONS ARE APPROXIMATE.
 ALSO SEE TECHNICAL DRAWINGS AND DOCUMENTATION.

Recommended replacement(s)