

Product data sheet

Specifications

SQUARE D

Green Premium™



Circuit breaker, PowerPacT Q, 70A, 3 pole, 240VAC, 25kA, lugs, thermal magnetic, 80%

QDL32070

Main

| | |
|---------------------------|-----------------|
| Range | PowerPact |
| Product name | PowerPact Q |
| Product or component type | Circuit breaker |
| Device application | Distribution |

Complementary

| | |
|--|--|
| [In] rated current | 70 A |
| Number of Poles | 3P |
| Control type | Operating handle |
| Breaking capacity code | D |
| Breaking capacity | 25 kA 120/208 V AC 50/60 Hz UL 25 kA 240 V AC 50/60 Hz UL |
| [Ue] rated operational voltage | 240 V AC 50/60 Hz UL |
| Network frequency | 50/60 Hz |
| [Uimp] rated impulse withstand voltage | 8 kV UL |
| Trip unit technology | Thermal-magnetic |
| Magnetic tripping current | 1800 A |
| Magnetic hold current | 1000 A |
| Continuous current rating | 80 % |
| Utilisation category | Category A |
| Mechanical durability | 1000 cycles loaded 5000 cycles no load |
| Local signalling | 1 trip indicator (green) |
| Mounting mode | Unit mount (lug) |
| Mounting support | Lug |
| Electrical connection | Lugs (load) Lugs (line) |
| Tightening torque | 247.82 lbf.in (28 N.m) 0.04...0.23 in ² (25...150 mm ²) AWG 4...300 kcmil |
| Power wire stripping length | 0.87 in (22 mm) |
| Height | 6.47 in (164.34 mm) |

Disclaimer: This documentation is not intended as a substitute for and is not to be used for determining suitability or reliability of these products for specific user applications

| | |
|------------------------------------|--------------------|
| Width | 4.5 in (114.30 mm) |
| Depth | 3.93 in (99.82 mm) |
| Circuit breaker application | HACR rated |

Environment

| | |
|--|--|
| Standards | UL CSA NEMA NOM-003-SCFI-2000 |
| Product certifications | UL CSA NOM |
| Ambient air temperature for operation | 104...158 °F (40...70 °C) |

Packing Units

| | |
|-------------------------------------|-----------------------|
| Unit Type of Package 1 | PCE |
| Number of Units in Package 1 | 1 |
| Package 1 Height | 5.56 in (14.127 cm) |
| Package 1 Width | 5.81 in (14.757 cm) |
| Package 1 Length | 9.75 in (24.765 cm) |
| Package 1 Weight | 4.76 lb(US) (2.16 kg) |

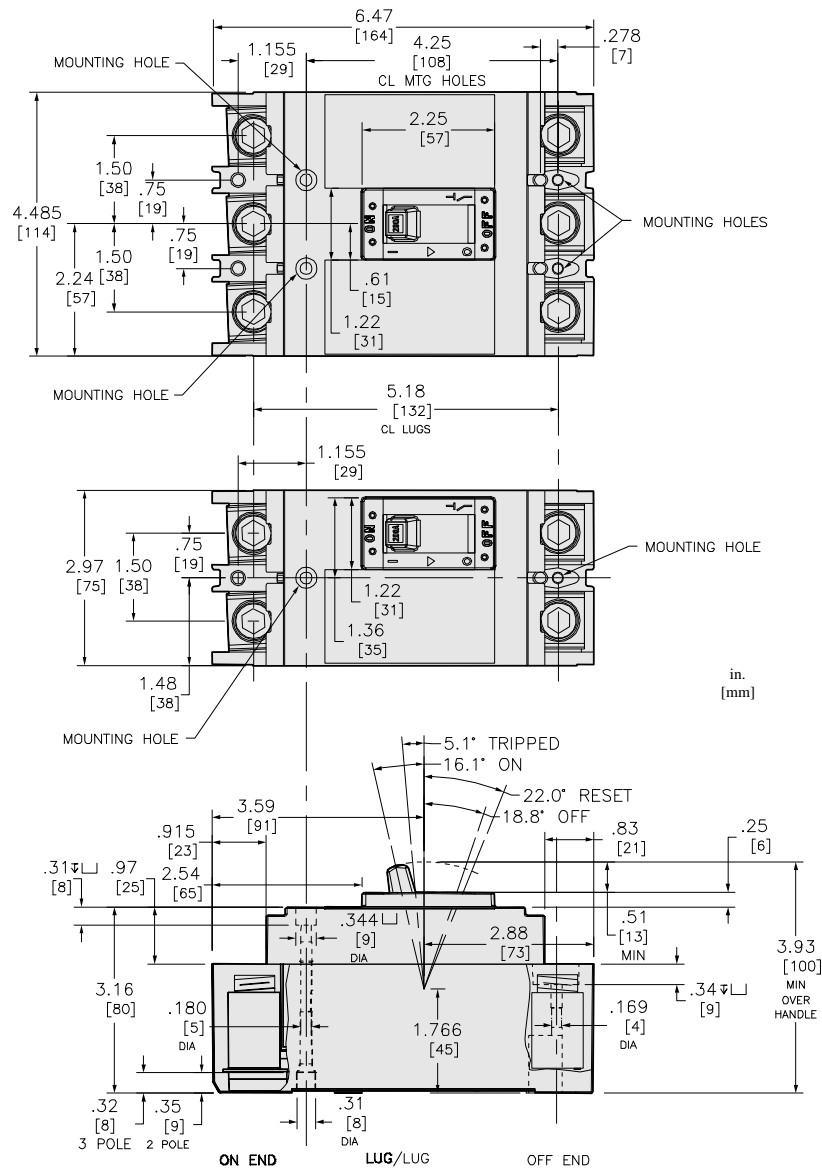
Offer Sustainability

| | |
|------------------------------------|---|
| Sustainable offer status | Green Premium product |
| REACH Regulation | REACH Declaration |
| REACH free of SVHC | Yes |
| EU RoHS Directive | Compliant EU RoHS Declaration |
| Mercury free | Yes |
| China RoHS Regulation | China RoHS declaration Product out of China RoHS scope. Substance declaration for your information |
| RoHS exemption information | Yes |
| Environmental Disclosure | Product Environmental Profile |
| PVC free | Yes |
| Halogen content performance | Halogen free product |

Contractual warranty

| | |
|-----------------|-----------|
| Warranty | 18 months |
|-----------------|-----------|

Dimensions



ALL DIMENSIONS ARE APPROXIMATE.
 ALSO SEE TECHNICAL DRAWINGS AND DOCUMENTATION.

Recommended replacement(s)