

Product data sheet

Specifications

SQUARE D

Green Premium™



Circuit breaker, PowerPacT P, 1200A, 3 pole, 480VAC, 100kA, I-Line, ET1.0I, 80%, ABC

PLA34120

Main

Range	PowerPact
Product name	PowerPact P
Product or component type	Circuit breaker
Device application	Distribution

Complementary

[In] rated current	1200 A
Number of Poles	3P
Control type	Toggle
Breaking capacity code	L
Breaking capacity	AIR 125 kA 240 V AC 50/60 Hz UL 489 AIR 100 kA 480 V AC 50/60 Hz UL 489 AIR 25 kA 600 V AC 50/60 Hz UL 489 Icu 125 kA 240 V AC 50/60 Hz IEC 60947-2 Icu 85 kA 380/415 V AC 50/60 Hz IEC 60947-2
[Ue] rated operational voltage	480 V AC 50/60 Hz UL 489
Network frequency	50/60 Hz
[Ics] rated service breaking capacity	65 kA 240 V AC 50/60 Hz IEC 60947-2 45 kA 380/415 V AC 50/60 Hz IEC 60947-2
[Uimp] rated impulse withstand voltage	8 kV IEC 60947-2
Trip unit technology	Electronic, basic, ET 1.0I, I
Continuous current rating	80 %
[Ui] rated insulation voltage	750 V IEC 60947-2
Trip unit name	ET 1.0I
AWG gauge	4 x AWG 3/0...500 kcmil aluminum/copper
Local signalling	1 trip indicator (green)
Mounting mode	I-Line (bracket)
Mounting support	Bracket
Electrical connection	I-Line connection line Lugs load
Terminal identifier	AL1200P25K

Long time pick-up adjustment range	1 In
Mounting height	9 in (228.60 mm)
Tightening torque	442.54 lbf.in (50 N.m) 0.15...0.37 in ² (95...240 mm ²) 4 x AWG 3/0...500 kcmil) 8.85...11.51 lbf.in (1.0...1.3 N.m)
Number of slots	2 auxiliary switch OF plug-in) 1 alarm switch SD plug-in) 1 overcurrent trip switch SDE plug-in) 1 voltage release MN or MX plug-in)
Power wire stripping length	1.18 in (30 mm)
Height	16.16 in (410.46 mm)
Width	8.27 in (210.06 mm)
Depth	8.05 in (204.47 mm)
Net weight	32 lb(US) (14.51 kg)
Quantity per set	1
Phase connection	ABC
Circuit breaker application	HACR rated

Environment

Quality labels	CE
Standards	UL CSA NEMA NOM-003-SCFI-2000 IEC 60947-2
Product certifications	UL CSA NOM
IP degree of protection	Front cover IP40
Pollution degree	3 IEC 60947-1
Ambient air temperature for operation	28...158 °F (-2...70 °C)
Ambient air temperature for storage	-58...185 °F (-50...85 °C)
Operating altitude	< 2000 m without derating 4000 m with derating

Packing Units

Unit Type of Package 1	PCE
Number of Units in Package 1	1
Package 1 Height	11.75 in (29.845 cm)
Package 1 Width	11.63 in (29.528 cm)
Package 1 Length	20.25 in (51.435 cm)
Package 1 Weight	32.00 lb(US) (14.515 kg)

Offer Sustainability

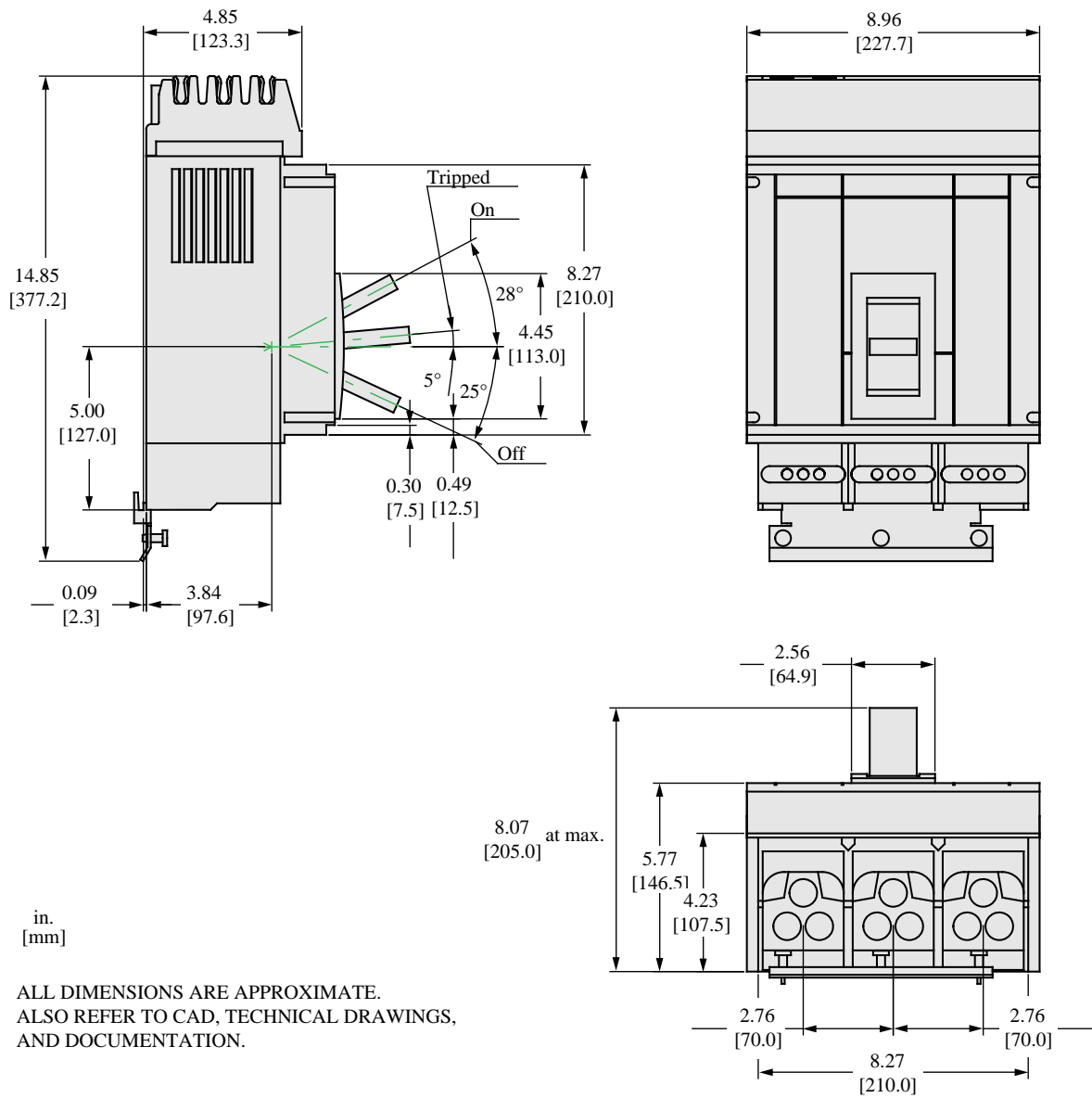
Sustainable offer status	Green Premium product
REACH Regulation	REACH Declaration
EU RoHS Directive	Compliant EU RoHS Declaration
Mercury free	Yes
China RoHS Regulation	China RoHS declaration

RoHS exemption information	Yes
Environmental Disclosure	Product Environmental Profile
Circularity Profile	End of Life Information
PVC free	Yes

Contractual warranty

Warranty	18 months
-----------------	-----------

Dimensions



in.
[mm]

ALL DIMENSIONS ARE APPROXIMATE.
 ALSO REFER TO CAD, TECHNICAL DRAWINGS,
 AND DOCUMENTATION.

Recommended replacement(s)