

# Product data sheet

Specifications

SQUARE D

Green Premium™



## Circuit breaker, PowerPacT P, 400A, 3 pole, 600VAC, 100kA, I-Line, Micrologic 3.0, 100%, ABC

PKA36040U31A

### Main

Range	PowerPact
Product name	PowerPact P
Product or component type	Circuit breaker
Device application	Distribution

### Complementary

[In] rated current	400 A
Number of Poles	3P
Control type	Toggle
Breaking capacity code	K
Breaking capacity	AIR 65 kA 240 V AC 50/60 Hz UL 489 AIR 50 kA 480 V AC 50/60 Hz UL 489 AIR 50 kA 600 V AC 50/60 Hz UL 489 Icu 50 kA 240 V AC 50/60 Hz IEC 60947-2 Icu 50 kA 380/415 V AC 50/60 Hz IEC 60947-2
[Ue] rated operational voltage	600 V AC 50/60 Hz UL 489
Network frequency	50/60 Hz
[Ics] rated service breaking capacity	25 kA 240 V AC 50/60 Hz IEC 60947-2 25 kA 380/415 V AC 50/60 Hz IEC 60947-2
[Uimp] rated impulse withstand voltage	8 kV IEC 60947-2
Trip unit technology	Electronic, standard, Micrologic 3.0, LI
Continuous current rating	80 %
[Ui] rated insulation voltage	750 V IEC 60947-2
Trip unit name	Micrologic 3.0
Suitability for isolation	Yes IEC 60947-2
Utilisation category	Category A
AWG gauge	3 x AWG 3/0...3 x 500 kcmil aluminum/copper
Local signalling	Overload 1 trip indicator green) 1 trip indicator green)
Mounting mode	I-Line bracket)
Mounting support	Bracket
Electrical connection	I-Line connection line

	Lugs load
<b>Terminal identifier</b>	AL800M23K
<b>Long time pick-up adjustment range</b>	0.4...1 x I <sub>r</sub>
<b>Mounting height</b>	9 in (228.60 mm)
<b>Tightening torque</b>	442.54 lbf.in (50 N.m) 0.15...0.37 in <sup>2</sup> (95...240 mm <sup>2</sup> ) 3 x AWG 3/0...3 x 500 kcmil) 8.85...11.51 lbf.in (1.0...1.3 N.m)
<b>Number of slots</b>	2 auxiliary switch OF plug-in) 1 alarm switch SD plug-in) 1 overcurrent trip switch SDE plug-in) 1 voltage release MN or MX plug-in)
<b>Power wire stripping length</b>	0.98 in (25 mm)
<b>Height</b>	12.86 in (326.64 mm)
<b>Width</b>	8.27 in (210.06 mm)
<b>Depth</b>	8.05 in (204.47 mm)
<b>Net weight</b>	32 lb(US) (14.51 kg)
<b>Quantity per set</b>	1
<b>Phase connection</b>	ABC
<b>Circuit breaker application</b>	HACR rated

## Environment

<b>Quality labels</b>	CE
<b>Standards</b>	UL CSA NEMA NOM-003-SCFI-2000 IEC 60947-2
<b>Product certifications</b>	UL CSA NOM
<b>IP degree of protection</b>	Front cover IP40
<b>Pollution degree</b>	3 IEC 60947-1
<b>Ambient air temperature for operation</b>	28...158 °F (-2...70 °C)
<b>Ambient air temperature for storage</b>	-58...185 °F (-50...85 °C)
<b>Operating altitude</b>	< 2000 m without derating 4000 m with derating

## Packing Units

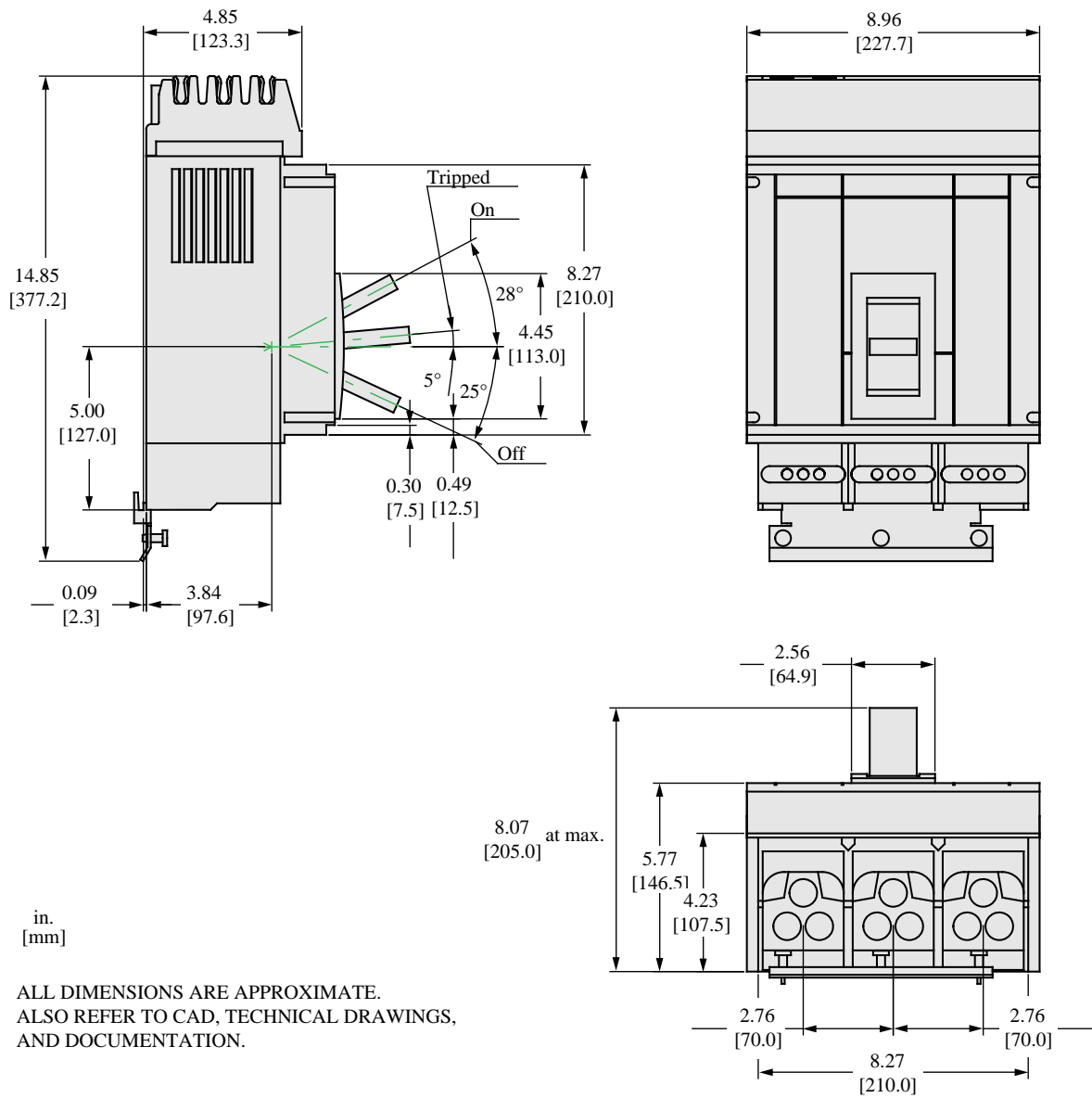
<b>Unit Type of Package 1</b>	PCE
<b>Number of Units in Package 1</b>	1
<b>Package 1 Height</b>	11.75 in (29.845 cm)
<b>Package 1 Width</b>	11.63 in (29.528 cm)
<b>Package 1 Length</b>	20.25 in (51.435 cm)
<b>Package 1 Weight</b>	32.00 lb(US) (14.515 kg)

## Offer Sustainability

<b>Sustainable offer status</b>	Green Premium product
<b>REACH Regulation</b>	<a href="#">REACH Declaration</a>
<b>EU RoHS Directive</b>	Compliant <a href="#">EU RoHS Declaration</a>

<b>Mercury free</b>	Yes
<b>China RoHS Regulation</b>	<a href="#">China RoHS declaration</a> Product out of China RoHS scope. Substance declaration for your information
<b>RoHS exemption information</b>	Yes
<b>Environmental Disclosure</b>	<a href="#">Product Environmental Profile</a>
<b>Circularity Profile</b>	<a href="#">End of Life Information</a>
<b>PVC free</b>	Yes

Dimensions



in.  
[mm]

ALL DIMENSIONS ARE APPROXIMATE.  
 ALSO REFER TO CAD, TECHNICAL DRAWINGS,  
 AND DOCUMENTATION.

Recommended replacement(s)