

NG-Frame (1200 Ampere)**Contents**

| Description | Page |
|---|------------------|
| EG-Frame (15–125 Amperes) | V4-T2-15 |
| JG-Frame (63–250 Amperes) | V4-T2-29 |
| LG-Frame (250–630 Amperes) | V4-T2-47 |
| NG-Frame (320–1200 Amperes) | |
| Catalog Number Selection | V4-T2-66 |
| Product Selection Guide and Ordering Information | V4-T2-67 |
| Accessories | V4-T2-70 |
| Technical Data and Specifications | V4-T2-71 |
| Dimensions and Weights | V4-T2-73 |
| RG-Frame (800–2500 Amperes) | V4-T2-74 |
| Motor Circuit Protectors (MCP) | V4-T2-85 |
| Motor Protector Circuit Breakers (MPCB) | V4-T2-89 |
| 30 mA Ground Fault (Earth Leakage) Module | V4-T2-92 |
| Current Limiting Circuit Breaker Module | V4-T2-96 |
| High Instantaneous Circuit Breaker for Selective Coordination | V4-T2-101 |
| Special Features and Accessories | V4-T2-104 |
| Motor Operators | V4-T2-112 |
| Plug-In Blocks | V4-T2-114 |
| Drawout Cassette | V4-T2-115 |

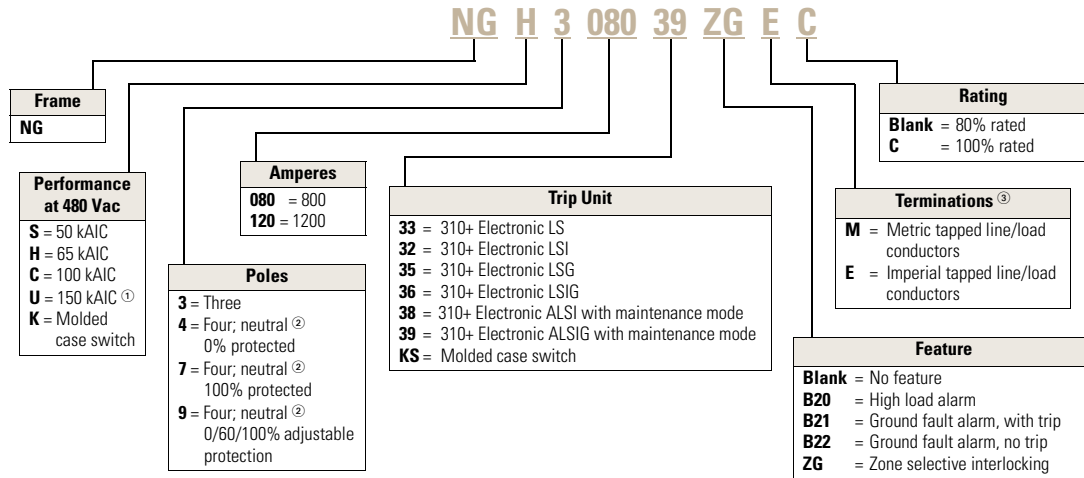
NG-Frame (320–1200 Amperes)**Product Description**

- All Eaton NG-Frame circuit breakers are suitable for reverse feed use
- All NG-Frame circuit breakers are HACR rated

Catalog Number Selection

This information is presented only as an aid to understanding catalog numbers. It is not to be used to build catalog numbers for circuit breakers or trip units.

NG Circuit Breaker with 310+ Electronic Trip Unit



Notes

- ① 800 A only.
- ② Neutral inn left pole on GN; right pole on NG.
- ③ Breakers do not ship with lugs.

Trip units are factory installable only.