

Installation Instructions for N-Frame Circuit Breakers and Molded Case Switches



WARNING

DO NOT ATTEMPT TO INSTALL OR PERFORM MAINTENANCE ON EQUIPMENT WHILE IT IS ENERGIZED. DEATH, SEVERE PERSONAL INJURY, OR SUBSTANTIAL PROPERTY DAMAGE CAN RESULT FROM CONTACT WITH ENERGIZED EQUIPMENT. ALWAYS VERIFY THAT NO VOLTAGE IS PRESENT BEFORE PROCEEDING WITH THE TASK, AND ALWAYS FOLLOW GENERALLY ACCEPTED SAFETY PROCEDURES.

CUTLER-HAMMER IS NOT LIABLE FOR THE MISAPPLICATION OR MISINSTALLATION OF ITS PRODUCTS.

The user is cautioned to observe all recommendations, warnings and cautions relating to the safety of personnel and equipment as well as general and local health and safety laws, codes and procedures.

This product is a direct replacement for Westinghouse circuit breakers. The recommendations and information contained herein are based on Cutler-Hammer experience and judgement, but should not be considered to be all-inclusive or covering every application or circumstance which may arise. If any questions arise, contact Cutler-Hammer for further information or instructions.

1. INTRODUCTION

The N-frame Circuit breakers (Figure 1-1) are 690VAC maximum rated devices, 600V for UL applications, and have integral trip units and interchangeable rating plugs. Available current ratings are up to 1600 Amp, 1200 for UL applications. Refer to Table 1.1 for available trip units and Table 1.2 for available rating plugs. N-Frame Circuit Breakers and molded case switches are listed in accordance with Underwriters Laboratories, Inc. Standard UL-489 and satisfy the requirements of the International Electrotechnical Commission Recommendations No. IEC 60947-2.

The Digitrip RMS 310 Trip Units are AC only devices

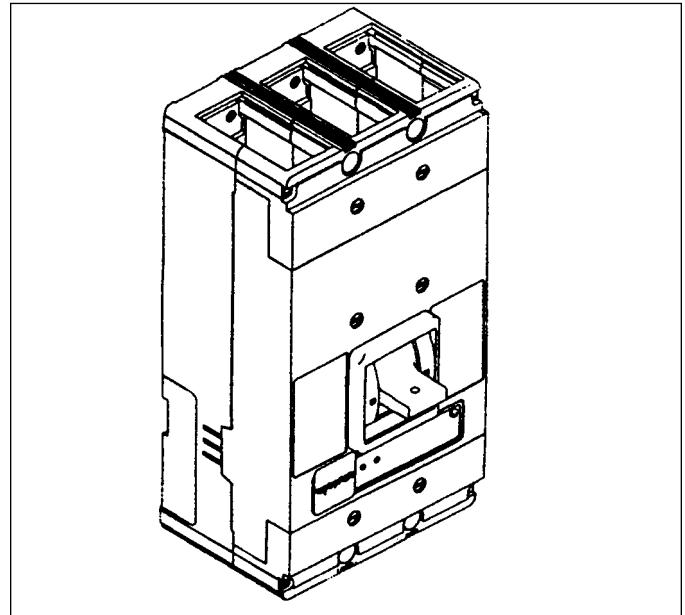


Figure 1-1 N-Frame Circuit Breaker

that employ microprocessor based technology that provides true RMS current sensing means for proper correlation with thermal characteristics of conductors and equipment. The primary function of the Trip Unit is circuit protection. This is achieved by analyzing the secondary current signal received from the circuit breaker current sensors and initiating trip signals to the circuit breaker shunt trip when pre-set current levels and time delay settings are exceeded. Low level ground fault protection with an adjustable time delay is supplied when appropriate trip types are selected.

In open air at 40° C, an N-frame circuit breaker with a Digitrip 310 trip unit will carry continuously up to 1200 amperes without exceeding a 50° C rise at the terminals. The calibration of the trip unit is insensitive to ambient temperatures over a range of -20° to +55° C. However, the trip unit contains thermal temperature protective circuitry that initiates a trip operation for self-protection if the internal ambient temperature at the printed circuit board (PCB) reaches approximately 90° C. For ambient conditions above 40° C, derating of the circuit breaker should be considered to avoid exceeding a safe terminal temperature operating range. Consult Cutler-Hammer for recommendations.

Molded Case Switches:The Molded Case Switch is similar to the Circuit Breaker except that it does not have a replaceable rating plug and has a different tripping characteristic. There is a fixed instantaneous trip at 15,000 Ampere but there is no overload short delay or ground fault trip. As a result sections 2.6, 2.7, 4.5, 6.8 and 7 are not applicable. In the remaining sections the term circuit breaker shall also include the molded case switch.

100 Percent Rated N-Frame Circuit Breaker: Circuit Breakers with a "C" prefix (CN...) in the catalog number are 100 percent rated circuit breakers and are suitable for continuous operation at 100 percent of the frame rating in an enclosure which measures at least 42 in. height, 22 ¾ in. width and 11 ½ in. depth. The 800A version requires no enclosure ventilation. The 1200A version requires 224 in² ventilation on the front face of the enclosure (72 in² bottom, 40 in² left and 40 in² right) The 1200A version also requires conductor extensions and terminal barriers (supplied with 100 percent rated breakers) as shown in Figure 2-2. Use only 90°C rated

wire with ampacity based on 75°C rated conductors. Use only copper or AL9CU terminals.

Overload Trip: In accordance with standards requirements, the trip unit initiates a trip of the circuit breaker within two hours for an overload of 135 percent, and a trip in less time for higher overloads.

A "Thermal Memory" effect prevents the breaker from being reenergized immediately after an overload. A "cooling off" period of up to 5 minutes is required, which allows time for the cabling to cool off.

Short delay/Instantaneous Trip: For short circuit conditions that exceed the short delay pick-up settings, the trip units initiate a trip after a delay prescribed by the I²t ramp function for trip units designated T33 and T35. A flat response time delay action is provided by trip units designated T32 and T36 unless the instantaneous (I) setting is selected.

Table 1.1: Electronic (Digitrip 310) Trip Unit Types

Trip Unit Functions		Digitrip RMS 310 Trip Unit				
		T33	T32	T35	T36	K
Long Time	Fixed Ampere Rating ①	●	●	●	●	
	Adjustable Ampere Setting with Fixed Long Delay ②	●	●	●	●	
Short Time	Adjustable Short Time Pick-up with Short Time Delay I ² t Ramp	●		●		
	Adjustable Short Time Delay ③ with Adjustable Short Time Pick-up, or Adjustable Instantaneous Pick-up ③		●		●	
Instantaneous	Fixed Instantaneous (Override) ④	●	●	●	●	●
Ground Fault	Adjustable Ground Fault Pick-up with Adjustable Ground Fault Time			●	●	

- ① Fixed rating plugs available, see Table 1.2.
- ② Optional four-setting adjustable rating plugs available, see Table 1.2.
- ③ Using trip unit with adjustable delay (T32, T36), instantaneous pick-up is achieved when the lowest time delay setting (I) is selected.
- ④ Override setting fixed at frame withstand rating.

Table 1.2: Electronic (Digitrip 310) Trip Unit Function and Rating Sensing

Trip Function Ampere Rating Fixed at 100%	Range/Setting Description ^② Fixed rating plugs available Trip Unit ampere Rating	Fixed Rating Plugs
	1250 Amp ^③ 1200 Amp 800 Amp	630,700 800,1000,1250A (I _n) 600,700,800,1000,1200A (I _n) 400,450,500,630,700,800A(I _n)
Adjustable Long Time Pick-Up	Adjustable rating plugs available Trip Unit Ampere Rating	Adjustable Rating Plugs
	1600 Amp ^③ 1250 Amp ^③ 1200 Amp 1000 Amp 800 Amp	800,1000,1250,1600A (I _n) 630,800,1000,1250A (I _n) 600,800,1000,1200A (I _n) 500, 630, 800, 1000 A (I _n) 400,500,630,800A (I _n)
Short Delay Pick-Up (Adjustable)	In Multiples of installed rating plug amperes (I _n) with marks at 2-3-4-5-6-7-8x	
Short Delay Time (Fixed)	I ² t ramp configuration	
Short Delay Pick-up (Adjustable)	Flat response with time delay settings at 100 ms, 200 ms, and 300 ms	
Instantaneous Pick-Up ^①	In Multiples of installed rating plug amperes (I _n) with marks at 2-3-4-5-6-7-8x	
Ground Fault Pick-up (Adjustable)	Trip Unit Ampere Rating	Trip Unit Setting
	1600 Amp ^③	200,400,600,800,1000 and 1200 Amp
	1250 Amp ^③	200,400,600,800,1000 and 1200 Amp
	1200 Amp 800 Amp	200,400,600,800,1000 and 1200 Amp 200,400,600 and 800 Amp
Ground Fault Time Delay	Settings at Instantaneous (I) 150 ms, 300 ms, and 500 ms	

① Occurs with short delay time adjustment set at I.

② The Molded Case Switch has a fixed non-interchangeable rating plug

③ Not UL Listed

Ground Fault Protection: When selected, ground fault pick-up and time delay settings shown in Table 1.2 allow selective ground fault coordination with other circuit protection devices.

Ground Fault Alarm Unit: A ground fault alarm unit may be used with the trip unit to provide visual indication and a contact closure when a ground fault trip occurs. The ground fault trip alarm unit is ordered and shipped separately as required.

DC Application: Digitrip 310 trip units are suitable for AC application only.

Field Testing: Test points are available for functional field testing of the trip unit when connected to test kit (Catalog No. STK2).

Internal Accessories: Internal accessories mount on the Digitrip trip unit. A list of internal accessories and their instruction leaflets is provided below:

Alarm (Signal)/Lockout (ASL) Switch	I.L. 29C184
Auxiliary Switch	I.L. 29C124
Shunt Trip	I.L. 29C148
Low Energy Shunt Trip	I.L. 29C145
Undervoltage Release Mechanism (Handle Reset)	I.L. 29C174

Note: Shunt trip and undervoltage accessories, if required, must be mounted in the left pole.

Note: Digitrip 310 trip unit versions with ground fault protection are supplied with an auxiliary switch, mounted in the right pole of the trip unit.

This instruction leaflet gives procedures for installation and field testing of N-frame circuit breakers and describes the different trip unit characteristics. For this publication, the term circuit breaker shall also include the molded case switch.

2. INSTALLATION

The installation procedure consists of inspecting the circuit breaker, installing the accessories and terminals if required, mounting the circuit breaker, connecting the line and load conductors and accessory wiring, adjusting the trip settings, and installing the rating plug. Circuit breakers, accessories, terminals, and rating plugs may be supplied in separate packages. To install the circuit breaker, perform the following steps:

2.1 Inspection

Make sure that the circuit breaker is suitable for the intended installation by comparing nameplate data with existing equipment ratings and system requirements. Inspect the circuit breaker for completeness and check for damage before mounting.

2.2 Accessory Installation

Note: If required, internal accessory installation in any type of circuit breaker should be done before the circuit breaker is mounted and connected. Refer to the individual accessory instruction leaflets listed above.

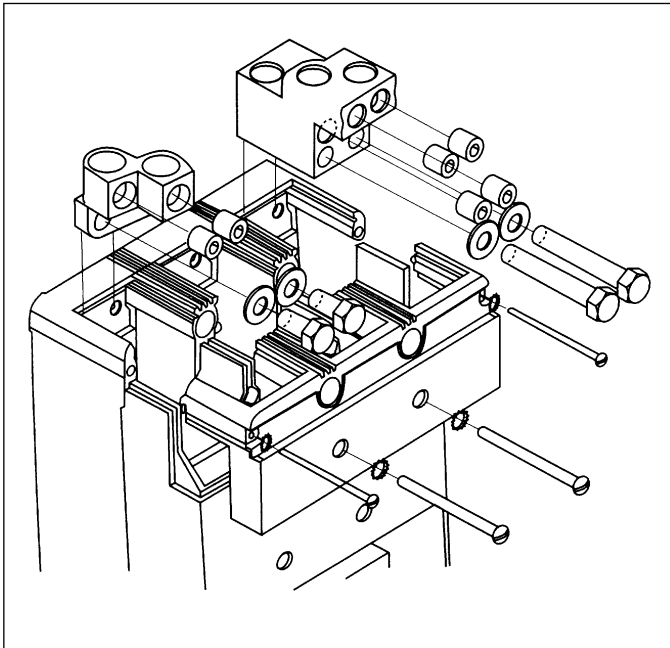
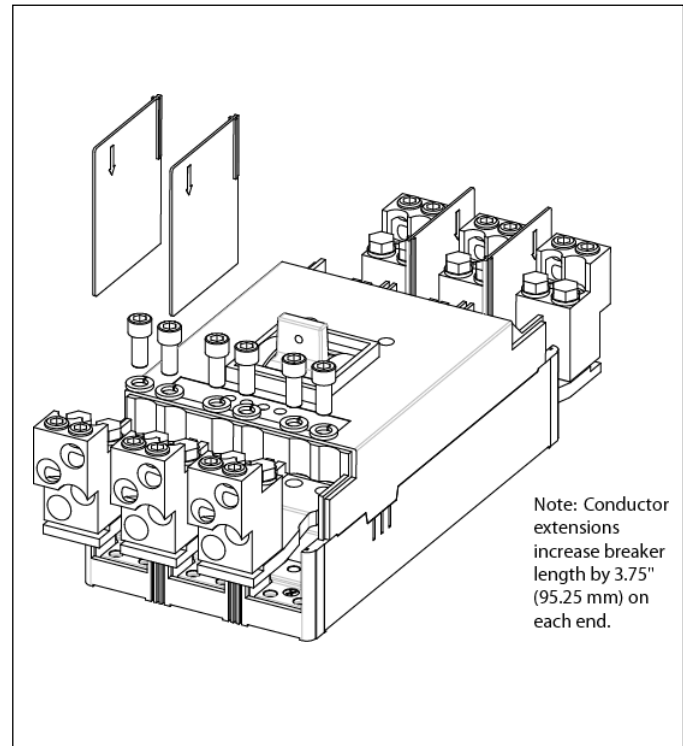


Figure 2-1 Terminal Installation



Note: Conductor extensions increase breaker length by 3.75" (95.25 mm) on each end.

Figure 2-2 Conductor Extensions (Purchased Separately)

Terminals are not included.

Terminals must be purchased separately. For breakers with metric threads add an "M" suffix to the terminal catalog number.

For bus connections use:

M12-1.75 bolts for "W" versions (Metric Threads).

For front mounted bus connections, socket cap screws are recommended

Terminal Cat. No.	Wire Range		Cond. Mat'l	Torque	
	MCM	MM ²		lb.-in.	Nm.
TA700NB1(M)	#1-500(2)	50-240(2)	CU/AL	375	42.4
TA1000NB1(M)	3/0-400(3)	95-185(3)	CU/AL	375	42.4
TA1200NB1(M)	4/0-500(4)	120-240(4)	CU/AL	375	42.4
TA1201NB1(M)	500-750(3)	300-400(3)	CU/AL	450	50.9
T700NB1(M)	2/0-500(2)	70-240(2)	CU ONLY	300	33.9
T1000NB1(M)	3/0-500(3)	95-240(3)	CU ONLY	300	33.9
T1200NB3(M)	3/0-400(4)	95-185(4)	CU ONLY	275	31.1

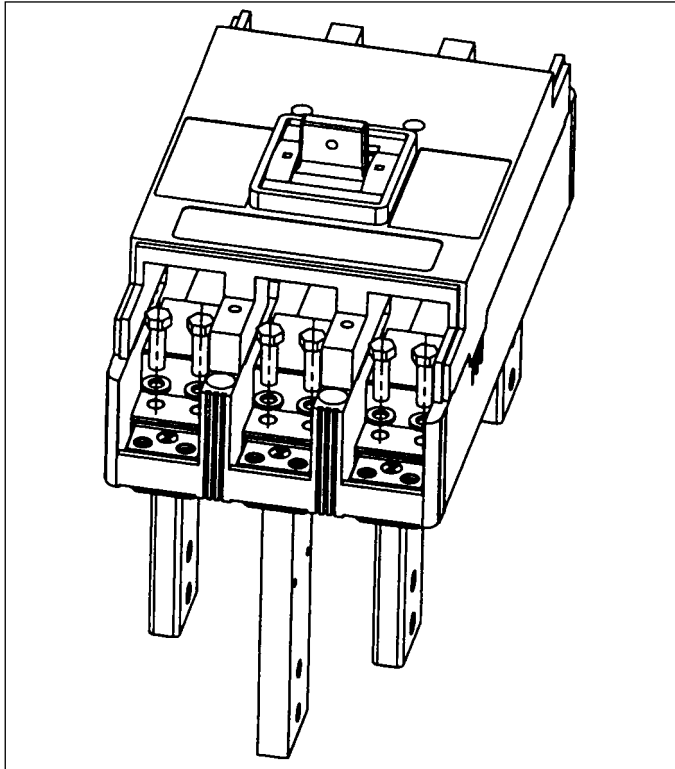


Figure 2-3 1600 Amp Rear Connector Installation (Connectors, Barriers and Hardware Included)

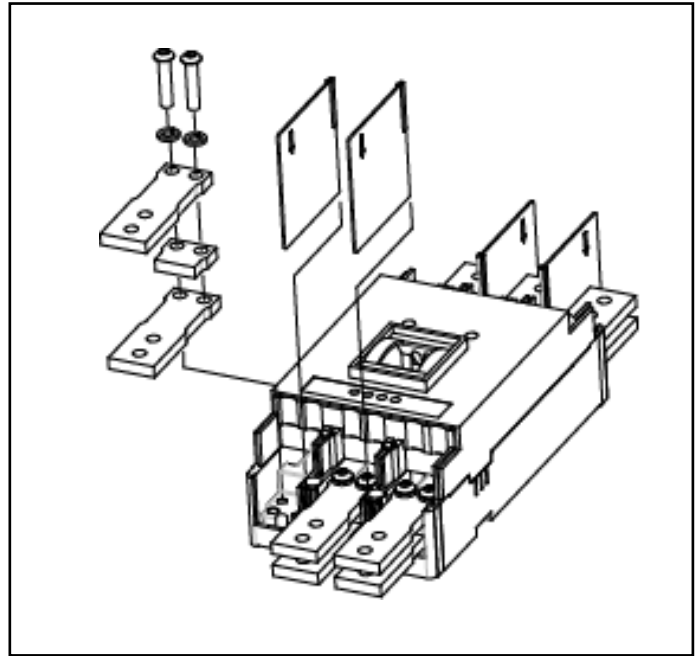


Figure 2-3a 1600 Amp Front Connector Installation

All 1600 Amp N-Frames require Rear Connectors or Front Connectors as shown in figures 2-3 and 2-3a.

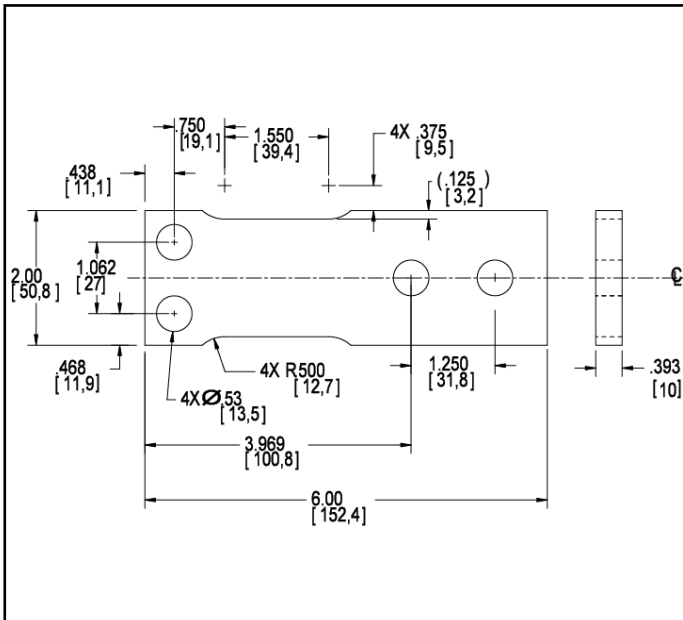


Figure 2-3b Detail for 1600 Amp Front Connect Long Connector

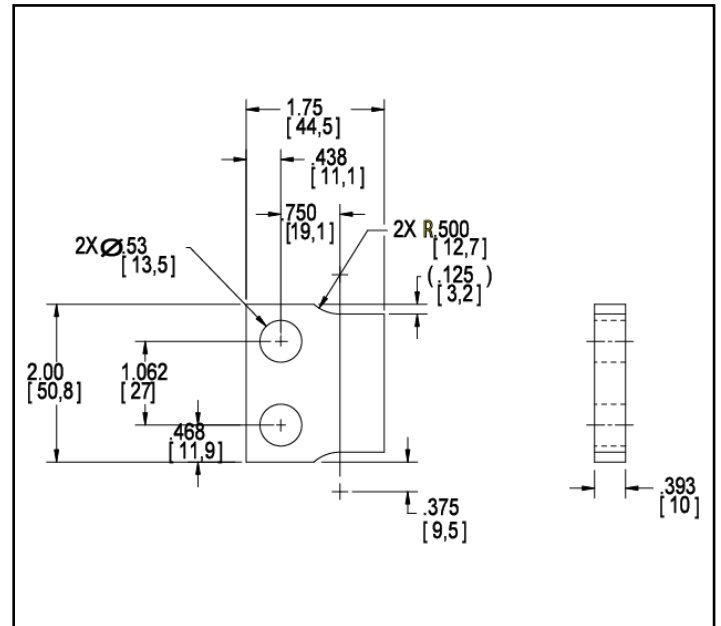


Figure 2-3c Detail for 1600 Amp Front Connect Short Connector

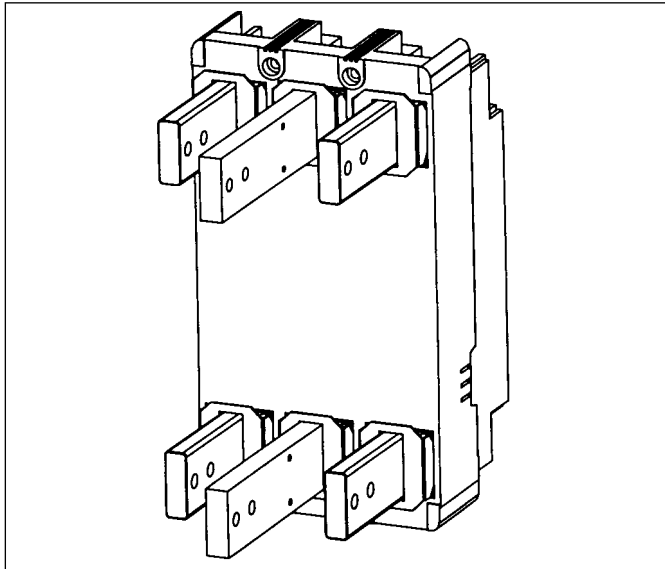


Figure 2-4 1600 Amp Rear Connectors and barriers installed (required for 1600 Amp Rear Connect breakers and molded case switches)

Install accessories per the accessory instruction leaflet.



CAUTION

CIRCUIT BREAKER COVER CONSTRAINS MOVING PARTS. DO NOT OPERATE THE BREAKER WITHOUT THE COVER INSTALLED.

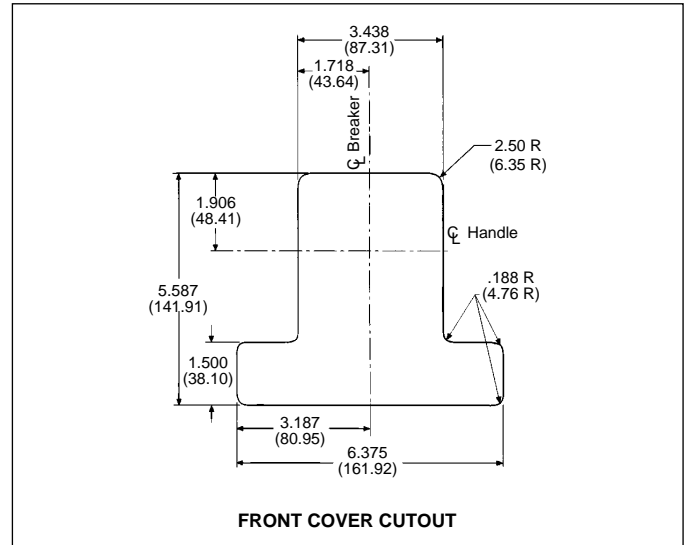


Figure 2-6 Circuit Breaker Escutcheon Dimensions

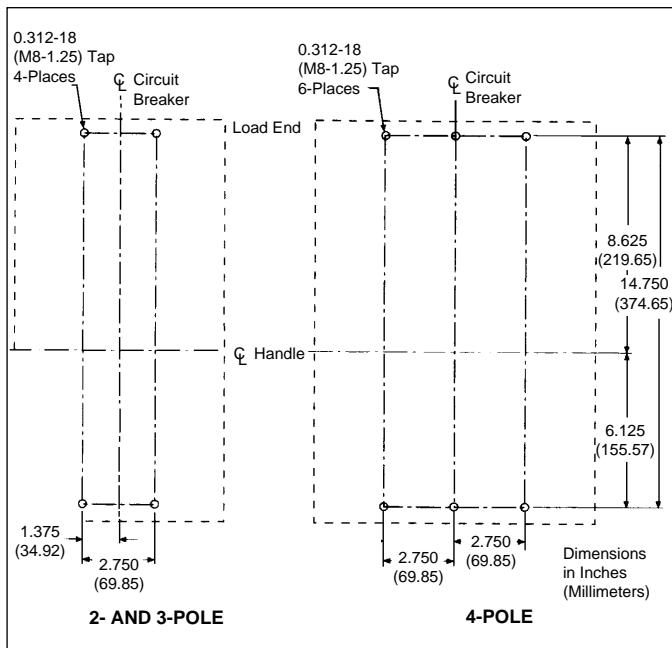


Figure 2-5 Breaker Mounting Bolt Drilling Plan - 800A, 1200A, 1250A Circuit Breaker and 1600A front connected Circuit Breakers.

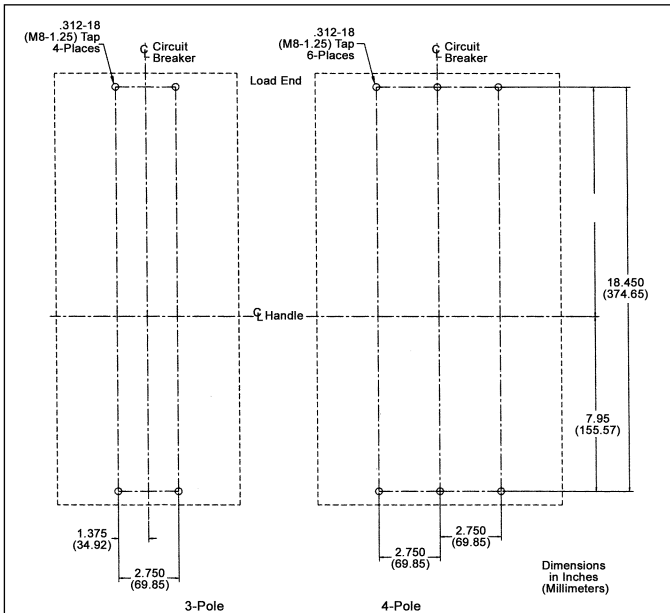


Figure 2-7 Breaker Mounting Bolt Drilling Plan - 1600A Rear Connect Circuit Breaker

100 Percent Rated N-Frame(1200A breaker only):
Connect the supplied line and load conductor extensions as shown in Figure 2-2. For a four pole breaker do not connect the conductor extensions to the neutral pole.

2.3 Terminal Installation

800A,1200A,1250A and 1600A Front Connect

If not already installed, mount terminals as shown in Figure 2-1 (100 Percent Rating Figure 2-2). To do this, the terminal cover screws must first be loosened and the terminal covers removed. (See Fig. 2-3a for 1600A Front Connect)

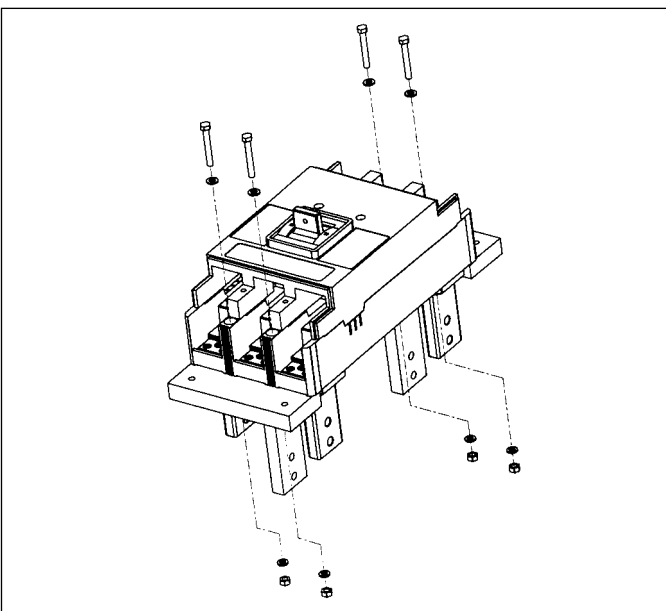


Figure 2-8 Mounting Plate Installation - 1600A Rear Connect Circuit Breaker

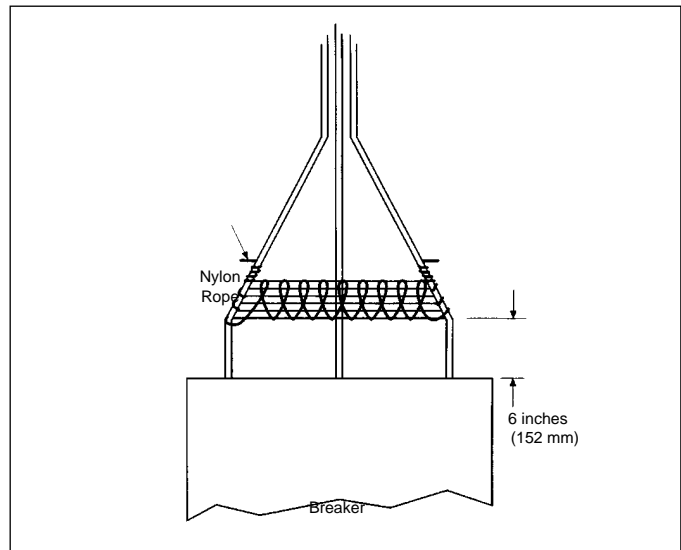


Figure 2-9 Securement of Cable (See caution note for bracing instruction)

1600A Rear Connect Circuit Breaker

- a. Remove the line and load end covers.
- b. Install the rear connectors to the line and load side of the circuit breaker (Figure 2-3). Do not fully torque the bolts until after the barriers are positioned correctly. On three pole breakers the longer connectors are on the center phase. On four pole breakers, short and long connectors should alternate on adjacent phases.
- c. Install the barriers, covering the ends of the hardware and connectors. Position the barriers so that the flaps are firmly set between the connectors and the edge of the base molding, (Figure 2-4).
- d. After positioning the barriers, torque the rear connector bolts to 20 lb-ft., (27 Nm).

2.4 Mounting the Circuit Breaker

WARNING

VOLTAGE IN ENERGIZED EQUIPMENT CAN CAUSE DEATH OR SEVERE PERSONAL INJURY. BEFORE MOUNTING THE CIRCUIT BREAKER IN AN ELECTRICAL SYSTEM MAKE SURE THERE IS NO VOLTAGE PRESENT WHERE WORK IS PERFORMED. SPECIAL ATTENTION SHOULD BE PAID TO REVERSE FEED APPLICATIONS TO ENSURE NO VOLTAGE IS PRESENT.

To mount the circuit breaker, perform the following steps:

800A, 1200A,1250A and 1600A Front Connect Circuit Breakers

- a. For individual surface mounting, drill mounting panel using the drilling plan shown in Figure 2-5. For dead front cover applications, cut out cover to correct escutcheon dimensions, see Figure 2-6.

b. If the circuit breaker includes factory or field installed internal accessories, make sure the accessory wiring can be reached when the circuit breaker is mounted.

Note: Labels with accessory connection schematic diagrams are provided on the side of the circuit breaker. A note should be made of the diagrams if the labels cannot be seen when the circuit breaker is mounted.

- c. Position the circuit breaker on the mounting surface.
- d. Secure the circuit breaker with the supplied hardware.

1600A Rear Connect Circuit Breaker



WARNING

MOUNT THE 1600A CIRCUIT BREAKER ON THE PROVIDED INSULATED SURFACES TO ENSURE MINIMUM CLEARANCE DISTANCE TO GROUND.

- a. For individual surface mounting, drill the mounting panel using the drilling plan shown in Figure 2-7. For dead front cover applications, cut out cover to correct escutcheon dimensions, see Figure 2-6.
- b. Attach the insulating Mounting Plates to the Line and Load sides of the circuit breaker as shown in Figure 2-8 with the M8 x 1.25 x 60mm Pan Screw and hardware supplied with the Mounting Plate.

c. If the circuit breaker includes factory or field installed internal accessories, make sure the accessory wiring can be reached when the circuit breaker is mounted.

Note: Labels with accessory connection schematic diagrams are provided on the side of the circuit breaker. A note should be made of the diagrams if the labels cannot be seen when the circuit breaker is mounted.

- d. Position the circuit breaker on the mounting surface.
- e. Secure the circuit breaker with the supplied hardware. Use the M8 x 1.25 x 45mm Pan Screw and hardware supplied with the Mounting Plate.

2.5 Connecting Line and Load Conductors



CAUTION

OVERHEATING CAN CAUSE NUISANCE TRIPPING AND DAMAGE TO THE CIRCUIT BREAKER. WHEN ALUMINUM CONDUCTORS ARE USED, THE APPLICATION OF A SUITABLE JOINT COMPOUND IS RECOMMENDED TO REDUCE THE POSSIBILITY OF TERMINAL OVERHEATING.

Connect line and load conductors and accessory leads. If the circuit breaker includes ground fault protection, connect the

neutral current sensor and ground fault alarm unit as described in section 5 and as shown in Figure 5-2.



CAUTION

HAZARDOUS VOLTAGE CONDITIONS CAN CAUSE DEATH OR SEVERE PERSONAL INJURY. MAINTAIN ORIGINAL ELECTRICAL CLEARANCE AND CREEP-AGE SPACINGS AT TERMINATIONS.

After the circuit breaker is installed and all connections are made, check all mounting hardware and terminal connection hardware for torque loading. Torque values for line/load terminal lugs are given on table in Figure 2-1. Torque mounting screws to 30-35 lb-ft., (41-47 Nm).

Re-install load end and line end covers and secure with pan head screws provided. Torque large screws to 35-45 lb.-in. (4.0-5.0 Nm) and small screws to 24-30 lb.-in. (2.7-3.4 Nm). When using the terminals TA700NB1 or T700NB1, or when prospective fault currents of cabled installations exceed 65kA, (such as NDC applications), the conductors are to be braced in accordance with Figure 2-9.



CAUTION

UNSUPPORTED CABLES CAN CAUSE MINOR PERSONAL INJURY OR EQUIPMENT DAMAGE UNDER SHORT CIRCUIT CONDITIONS.

Wrap conductor cable cables with 3/8" nylon or equivalent rope as shown in Figure 2-9, having a minimum tensile strength of 2000 lbs., at 6" from terminals and every additional 6" with 5 wraps or every additional 1" with 1 wrap.

Note: Steps 2.6 and 2.7 are not required for the molded case switch.

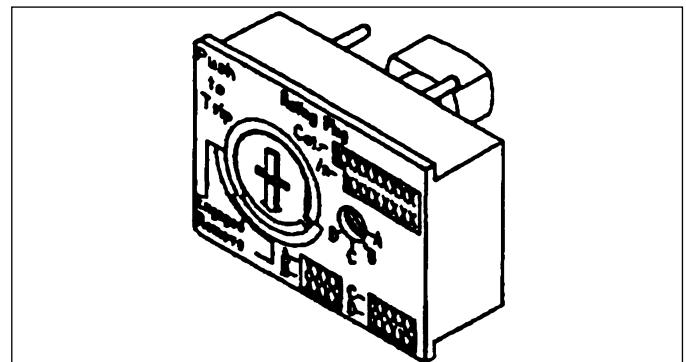


Figure 2-10 Rating Plug

2.6. Adjusting Trip Settings

The N-frame Series C circuit breakers have the trip unit built in as an integral part of the breaker. The trip unit is not field replaceable. The various trip unit settings are described in section 4. They should be adjusted as required at this point.

2.7 Rating Plug Installation

The circuit breaker requires the installation of a rating plug to make it operational. The installed rating plug establishes the maximum continuous current rating (I_n) of the circuit breaker. A typical rating plug is shown in Figure 2-10. Available rating plugs are listed in Table 1.2. To install the rating plug perform the following steps:

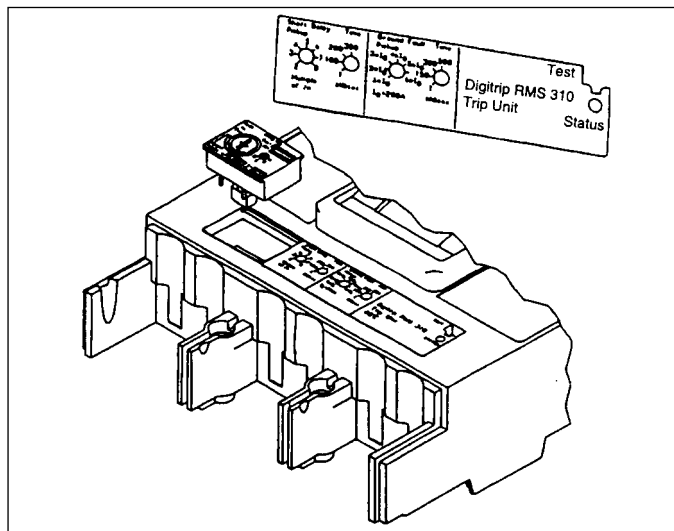


Figure 2-11 Rating Plug Installation

Note: Before attempting to install the rating plug, the arrow in the Push-to-Trip button portion of the plug must be pointed toward the REMOVE position. This can be done with a small screwdriver.

- a. Position the rating plug as shown in Figure 2-11.
- b. Make sure the arrow on the rating plug Push-to-Trip button is pointing at REMOVE. Adjust, if necessary, using a flat blade screwdriver.
- c. The projections on the rating plug shaft must line up with the matching slot in the trip unit and the contact pins must match with the sockets in the PC board.
- d. Push the rating plug in as far as it will go. The electrical contact pins will enter matching holes in the trip unit.

e. Place a flat blade screwdriver in the slot on the Push-to-Trip button. Press approximately 1/16 inch and turn button 90° clockwise.

f. If an adjustable rating plug is installed, four continuous current settings are possible. Set the switch marked A, B, C, D to the current rating desired.

The circuit breaker is now ready for operation.

Note: The reverse procedure is used to remove the rating plug. Turn the Push-to-Trip button to the remove position. This action will cause the circuit breaker to trip. Then grasp the lip of the Push-to-Trip button and gently pull. A small screwdriver placed under the left edge of the Push-to-Trip button will assist in removal.

3. OPERATION

3.1 Manual Operation

Manual operation of the circuit breaker is controlled by the circuit breaker handle and the Push-to-Trip button. The circuit breaker handle has three positions, two of which are shown on the cover raised lettering to indicate ON and OFF. On the handle, ON, OFF, and TRIP are also shown by a color-coded strip for each circuit breaker handle position: red for ON, white for TRIP, and green for OFF (See Figure 3-1). The Push-to-Trip button checks the circuit breaker tripping function and may be used to periodically exercise the operating mechanism. The button, located in the rating plug, is designed to be operated by finger pressure.

3.2 Circuit Breaker Reset

After an automatic or accessory initiated trip, or a manual push-to-trip operation, the circuit breaker is reset by moving the circuit breaker handle to the extreme OFF position.

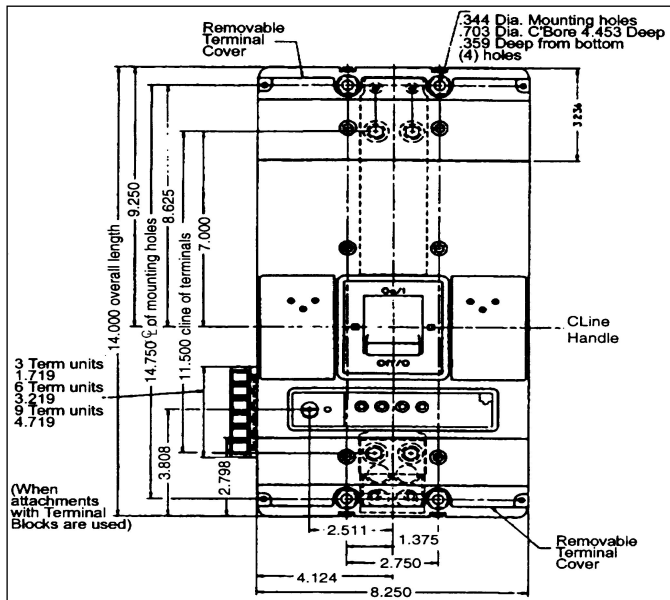


Figure 3-1 Circuit Breaker Manual Controls

4. NES DIGITRIP 310 TRIP UNIT ADJUSTMENTS

4.1 Ampere Rating

The installed rating plug establishes the maximum continuous current rating (I_n) of the circuit breaker. A typical rating plug is shown in Figure 2-10. Available rating plugs are listed in Table 1.2.

An optional adjustable rating plug provides four ampere setting selections in a single rating plug. Figure 4-1 shows time/current curve details for adjustable rating plug Cat. No. A12NES1200T1. Time/Current Curves for other adjustable rating plugs are similar.

A green status light indicates the operational status of the trip unit. If the load current through the circuit breaker exceeds approximately 200 Amps the status light will blink on and off once each second. A blinking status light is an indication of a properly functioning trip unit. If the status light is not blinking, the current through the breaker may be less than 200 Amps. If the current exceeds 200 Amps and the status light is not blinking, use the STK2 test kit to investigate (see section 6.8).



CAUTION

LACK OF ILLUMINATION OF THE STATUS LIGHT DOES NOT INDICATE THE TERMINALS OF THE BREAKER ARE DEENERGIZED.

4.2 Long Time Pick Up and Delay

Neither the long time pick up or the long time delay are adjustable. The long time pick up (the current at or above which the circuit breaker will trip) occurs between 1.05 and 1.25 times I_n . If the status light is on steady, it indicates a trip is pending. The long delay time normally has the characteristics $t=360 / (I_n)^2 \pm 20\%$. For example, at $I_n=6$ per unit, $t=10$ seconds $\pm 20\%$. There is however, a memory effect that can act to shorten the long delay. The memory effect comes into play if a current above the long delay pick up value exists for a time and then is cleared by the tripping of a down stream device or the circuit breaker itself. A subsequent overload will cause the circuit breaker to trip in shorter time than normal. The amount of time delay reduction is inverse to the amount of time that has elapsed since the previous overload. Approximately five minutes is required between overloads to completely reset the memory.

4.3 Time and Pick-up Adjustments

One to four adjustment settings are available depending on the particular breaker purchased. An eight-position rotary switch is provided for each. The rotary switches are adjusted using a small flat blade screwdriver. If the switch is turned to a setting not marked on the trip unit nameplate, the trip unit defaults to the minimum setting.

The available settings along with the effect of changing each setting are illustrated in Figures 4-2 and 4-3.

4.4. Short Delay Pick-up Setting

Seven settings are available that range from 2 to 8 times (I_n) as shown in Figures 4-2 to 4-3.

4.5 Short Delay Time Setting

Four settings (1, 100, 200, 300 milliseconds) are available on trip units designated T32 and T36 (see Figure 4-3). The 1 setting gives a trip response with no intentional delay (Instantaneous).

4.6 Ground Fault Pick-up Setting

Six settings marked 1x through 6x I_G (where $I_G=200$ Amps are available (see Figure 4-4).

Note: These ampere values are always the same no matter what rating plug is installed in the circuit breaker.

4.7 Ground Fault Time Settings

Four flat settings (1, 150, 300, 500 milliseconds) are available (see Figure 4-4). The 1 setting gives a trip response with no intentional delay (Instantaneous).

5. GROUND FAULT CIRCUIT BREAKERS



WARNING

BREAKER TRIP UNIT CAN BE DAMAGED BY HIPOTTING OR APPLYING EXTERNAL POWER TO ANY COMBINATION OF THE YELLOW, GREEN, GRAY OR WHITE LEADS. DAMAGE TO THE TRIP UNIT MAY LEAD TO DEATH, SERIOUS PERSONAL INJURY, OR PROPERTY DAMAGE. MAKE CONNECTIONS TO THESE LEADS ONLY AS DIRECTED BY THIS INSTRUCTION LEAFLET.

Ground Fault circuit breakers are supplied from the factory with one auxiliary switch with pigtail leads (red, blue and black wires) and pigtail lead connections for a neutral current sensor (white and grey wires) and a ground fault alarm relay (yellow and green) wires, all installed in the right pole of the trip unit. A neutral current sensor is provided with each trip unit. The ground fault alarm relay is ordered and shipped separately if required (Cat. #GFAU).

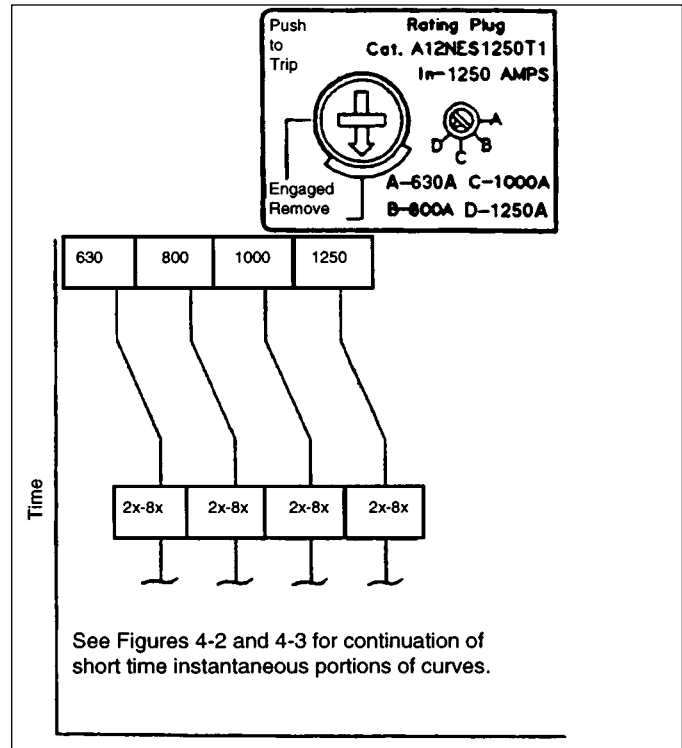


Figure 4-1 Optional Adjustable Rating Plug

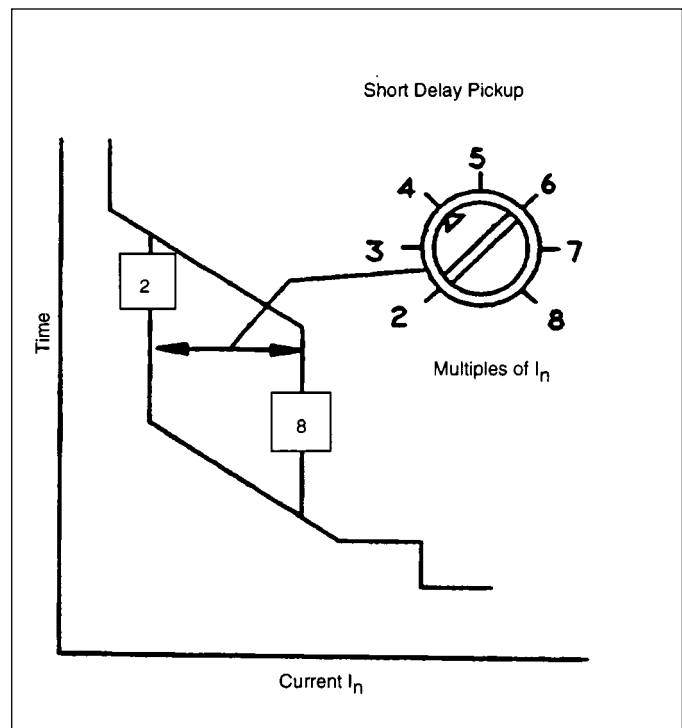


Figure 4-2 Short Trip Current Adjustment and Curve Details for T33 and T35 Type Trip Units

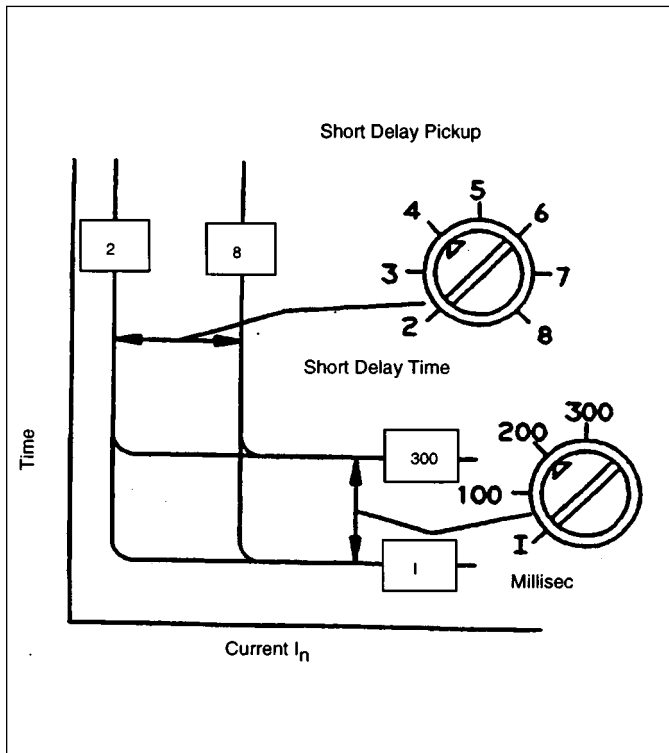


Figure 4-3 Short Delay Trip Current and Short Delay Trip Time Adjustment and Curve Details for T32 and T36 Type Trip Units.

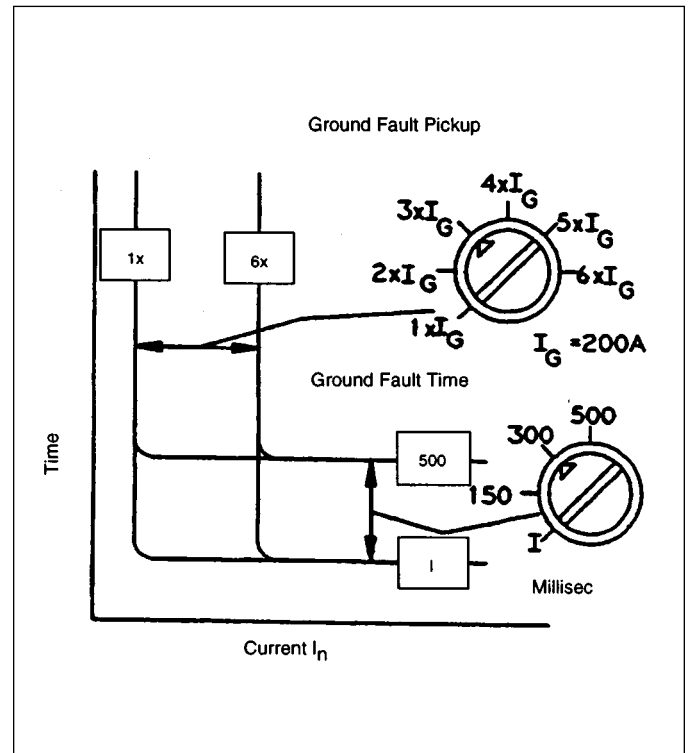


Figure 4-4 Ground Fault Trip Unit Current, and Ground Fault Trip Time Adjustment and Curve Details

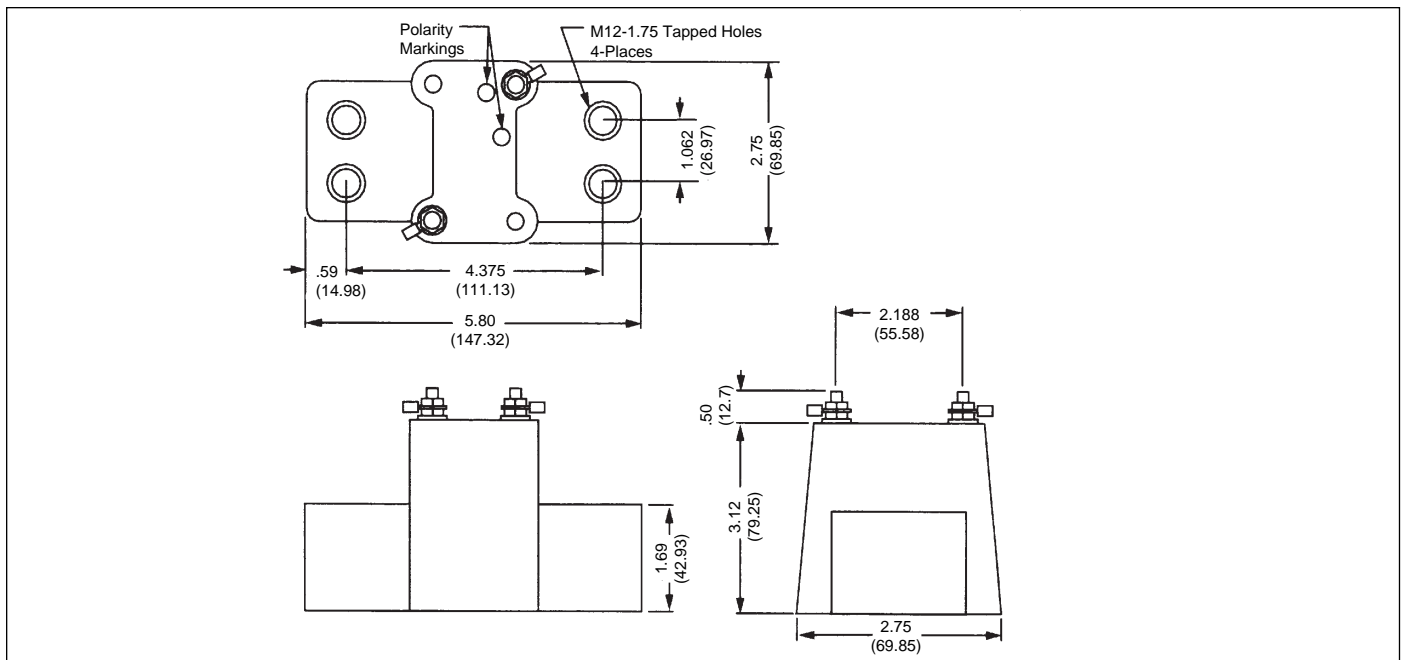


Figure 5-1 Neutral Sensor Outline

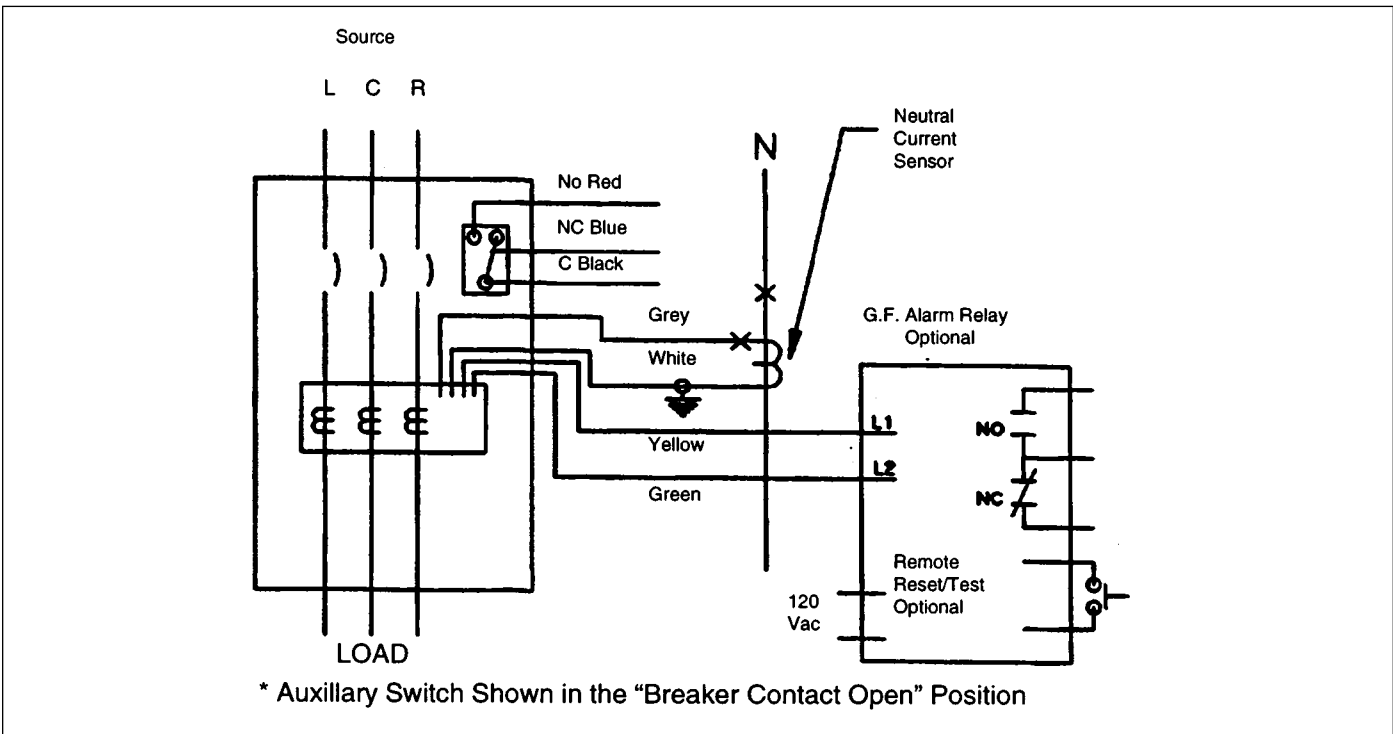


Figure 5-2 Connection Diagrams Ground Fault Breaker - Figure indicates normal feed installation. Neutral sensor is wired identically for reverse feed applications.

Ground fault circuit breakers detect ground fault currents through residual sensing (they are not designed to use source ground or zero sequence ground fault sensing methods). If the system neutral is grounded, but no phase to neutral loads are used, the neutral current sensor is not necessary.

If the system neutral is grounded and phase or neutral loads are used, then the neutral current sensor (see Figure 5-1) must be used. It should be connected to the breaker according to Figure 5-2.

The neutral sensor has the same ratio as the breaker current sensors.

Note: The polarity of the sensor connections is critical. Always observe the polarity markings on the installation drawings. To insure correct ground fault equipment performance, conduct field tests to comply with National Electric Code requirements under article 230-95(C). See section 7 for testing instructions.

6. INSPECTION AND FIELD TESTING

Cutler-Hammer molded case circuit breakers are

designed to provide years of almost maintenance-free operation. The following procedure describes how to inspect and test a circuit breaker in service.

Inspection

Circuit Breakers should be inspected periodically. This inspection can be best done during normal equipment maintenance periods when no voltage to the equipment is available. The inspection should include the following checks 6-1 through 6-8.

WARNING

VOLTAGES IN ENERGIZED EQUIPMENT CAN CAUSE SEVERE PERSONAL INJURY OR DEATH. BEFORE INSPECTING THE CIRCUIT BREAKER IN AN ELECTRICAL SYSTEM, MAKE SURE THE CIRCUIT BREAKER IS SWITCHED TO THE OFF POSITION AND THAT THERE IS NO VOLTAGE PRESENT WHERE WORK IS TO BE PERFORMED. SPECIAL ATTENTION SHOULD BE PAID TO REVERSE FEED APPLICATIONS TO ENSURE NO VOLTAGE IS PRESENT.

**WARNING**

SOME COMMERCIAL CLEANING AGENTS WILL DAMAGE THE NAMEPLATES OR MOLDED PARTS. MAKE SURE THAT CLEANING AGENTS OR SOLVENTS USED TO CLEAN THE CIRCUIT BREAKER ARE SUITABLE FOR THE JOB.

6.1 Remove dust, dirt, soil, grease, or moisture from the surface of the circuit breaker using a lint-free dry cloth, brush, or vacuum cleaner. Do not blow debris into the circuit breaker. If contamination is found, look for the source and eliminate the problem.

6.2 Switch circuit breaker to ON and OFF several times to be sure that the mechanical linkages are free and do not bind. If mechanical linkages are not free, replace circuit breaker.

6.3 With the circuit breaker in the ON position, press the PUSH-TO-TRIP button to mechanically trip the circuit breaker. Trip, reset, and switch circuit breaker ON several times. If mechanism does not reset each time the circuit breaker is tripped, replace the circuit breaker.

6.4 Check base, cover, and operating handle for cracks, chipping, and discoloration. Circuit breakers should be replaced if cracks or severe discoloration is found.

6.5 Check terminals and connectors for looseness or signs of overheating. Overheating will show as discoloration, melting, or blistering of conductor insulation, or as pitting or melting of conductor surface due to arcing. If there is no evidence of overheating or looseness, do not disturb or tighten the connections. If there is evidence of overheating, terminations should be cleaned or replaced. Before re-energizing the circuit breaker, all terminations and cable should be refurbished to the same condition as when originally installed.

6.6 Check circuit breaker mounting hardware, and tighten if necessary.

6.7 Check area where circuit breaker is installed for any safety hazards, including personal safety and fire hazards. Exposure to certain types of chemicals can cause deterioration of electrical connections.

6.8 The operation of circuit breakers with Seltronic trip units can be field tested using the Seltronic test kit, Cat. No. STK2. (See frame Book 29-106).

7. PERFORMANCE TESTING FOR GROUND FAULT CIRCUIT BREAKERS

7.1 Code Requirements

The National Electric Code under Article 230-95-C requires that any ground-fault protection system be performance tested when first installed. The test shall be conducted in accordance with approved instructions provided with the equipment. A written record of this test shall be made and shall be available to the authority having inspection jurisdiction.

7.2 Standards Requirements

As a follow-up to the basic performance requirements stipulated by the N.E.C. as stated above in 7.1, UL Standard No. 1053 requires that certain minimum instructions must accompany each ground fault protection system. These following statements plus a copy of the test record form illustrated in Figure 7-2 are shipped with each N-frame ground fault circuit breaker.

7.3 General Test Instructions

7.3.1 The interconnected system shall be evaluated in accordance with the equipment assembler's detail instruction by qualified personnel.

7.3.2 The polarity of the neutral sensor connection (if used) must agree with equipment assembler's detailed instructions to avoid improper operations following apparently correct simulated test operations. Where a question exists, consult the specifying engineer and/or equipment assembler.

7.3.3 The grounding points of the system shall be verified to determine that ground paths do not exist that would bypass the sensors. High-voltage testers and resistance bridges may be used.

**WARNING**

THERE IS A HAZARD OF ELECTRICAL SHOCK OR BURN WHENEVER WORKING IN OR AROUND ELECTRICAL EQUIPMENT. ALWAYS TURN OFF POWER SUPPLYING BREAKER BEFORE CONDUCTING TESTS.

Note: Since the ground fault circuit breakers derive their operating power from the phase current, and not from the neutral current, passing current through the neutral sensor only will not properly test the ground fault feature.

7.3.4 Using a low voltage (0-24V), high current, AC source, apply a test current of 125% of the ground fault pick-up setting through one phase of the circuit breaker, as shown in Figure 7-1a. This should cause the breaker to trip in less than 1 second, and if an alarm indicator is supplied, it should operate. Reset the breaker and the alarm indicator. Repeat the test on the other two phases.

7.3.5 If the system is a 4-wire system with a neutral current sensor, apply the same current as described in paragraph 7.3.4 above through one phase of the breaker, returning through the neutral sensor, as shown in Figure 7-1b. The breaker should not trip, and the alarm indicator, if supplied, should not operate. Repeat the test on the other two phases.

7.3.6 If the system is a 3-wire system with no neutral current sensor, apply the same current as described in paragraph 7.3.4 above through any two phases of the breaker, with the connections exactly shown in Figure 7-1c. The breaker should not trip, and the alarm indicator, if supplied, should not operate.

Repeat the test using the other two combinations of breaker phases.



CAUTION

FIELD TESTING SHOULD BE USED FOR FUNCTIONAL TESTING AND NOT FIELD CALIBRATION.

ANY TEMPORARY CONNECTION MADE FOR THE PURPOSE OF CONDUCTING TESTS SHOULD BE RESTORED TO PROPER OPERATING CONDITIONS BEFORE RETURNING THE BREAKER TO SERVICE.

7.3.7 The results of the test are to be recorded on the test form provided with the equipment.

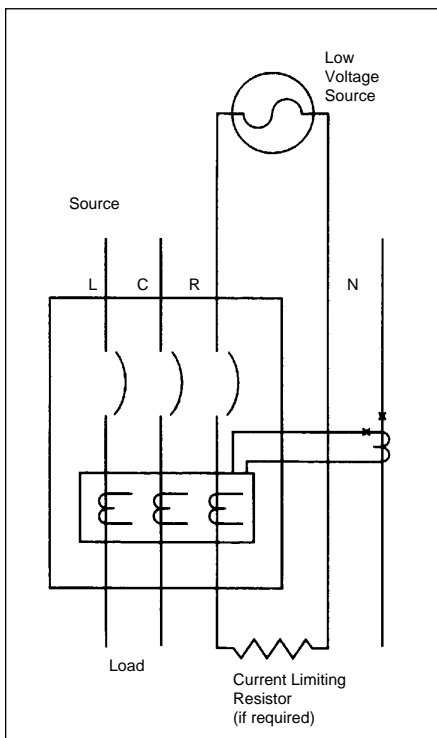


Figure 7-1a Connections for Ground Fault Trip Test

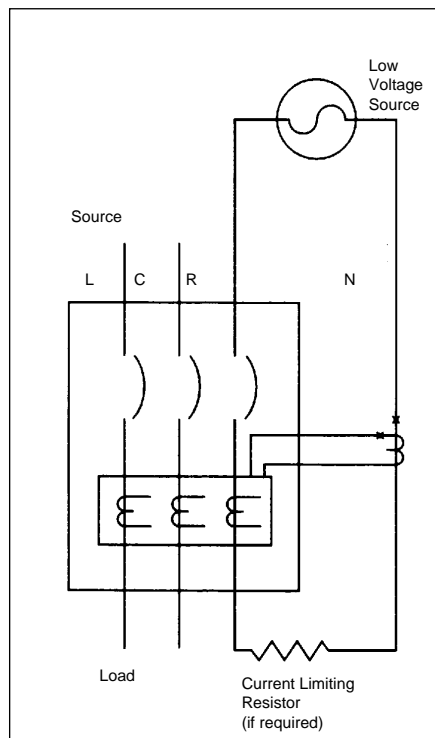


Figure 7-1b Connections for Ground Fault No-Trip Test with a Four Wire System

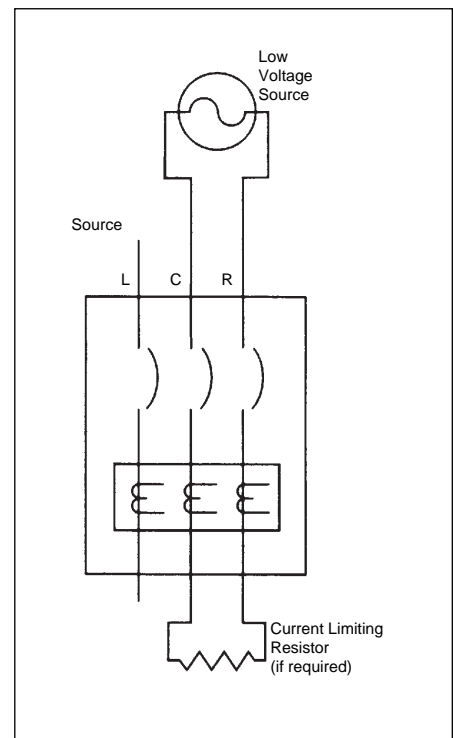


Figure 7-1c Connections for Ground Fault No-Trip Test with a Three-Wire System

GROUND FAULT TEST RECORD FORM			
Ground Fault Test Records should be Retained by Those in Charge of the Building's Electrical Installation in order to be available to the Authority having Jurisdiction.			
Test Date	Circuit Breaker Number	Results	Tested By:

Figure 7-2 Typical Performance Test Record

NOTES:

Eaton Corporation
Cutler-Hammer business unit
1000 Cherrington Parkway
Moon Township, PA 15108-4312
USA
tel: 1-800-525-2000
www.cutler-hammer.com



© 2001 Eaton Corporation
All Rights Reserved
Printed USA/TQC
Publication No. IL01209003EH03
Effective January 2008