

# Product data sheet

Specifications

SQUARE D

Green Premium™



## Circuit breaker, LA, 400A, 3 pole, 600VAC, 22kA, 250VDC, 10kA, lugs

LAL36400

### Main

Product or component type	Circuit breaker
Trip Unit Technology	Thermal-magnetic

### Complementary

[In] rated current	400 A
Number of Poles	3P
Mounting Mode	Unit mount
Magnetic Hold Current	2000 A
Magnetic Tripping Current	4000 A
Electrical connection	Lugs load Lugs line
Terminal identifier	AL400LA
Tightening torque	115.06 lbf.in (13 N.m) 0.07...0.47 in <sup>2</sup> (42...304 mm <sup>2</sup> ) AWG 1...600 kcmil 115.06 lbf.in (13 N.m) 0.07...0.20 in <sup>2</sup> (42...127 mm <sup>2</sup> ) AWG 1...250 kcmil
Height	11 in (279.40 mm)
Width	6 in (152.40 mm)
Depth	5.84 in (148.34 mm)
Circuit breaker application	HACR rated

### Environment

Certifications	IEC CSA UL listed
----------------	-------------------------

### Packing Units

Unit Type of Package 1	PCE
Number of Units in Package 1	1
Package 1 Height	10.30 in (26.162 cm)
Package 1 Width	14.70 in (37.338 cm)
Package 1 Length	19.40 in (49.276 cm)
Package 1 Weight	16.30 lb(US) (7.394 kg)
Unit Type of Package 2	PAL

<b>Number of Units in Package 2</b>	32
<b>Package 2 Height</b>	46.50 in (118.11 cm)
<b>Package 2 Width</b>	40.00 in (101.6 cm)
<b>Package 2 Length</b>	48.00 in (121.92 cm)
<b>Package 2 Weight</b>	545.00 lb(US) (247.208 kg)

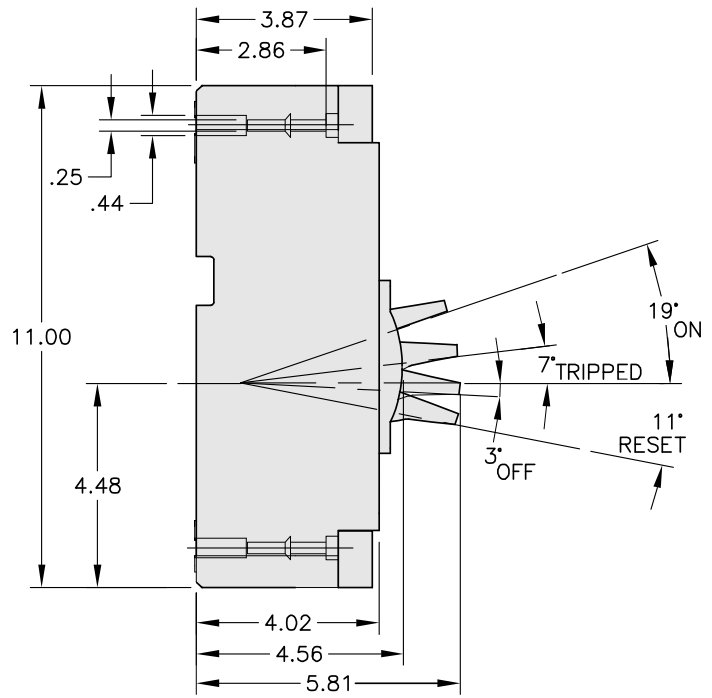
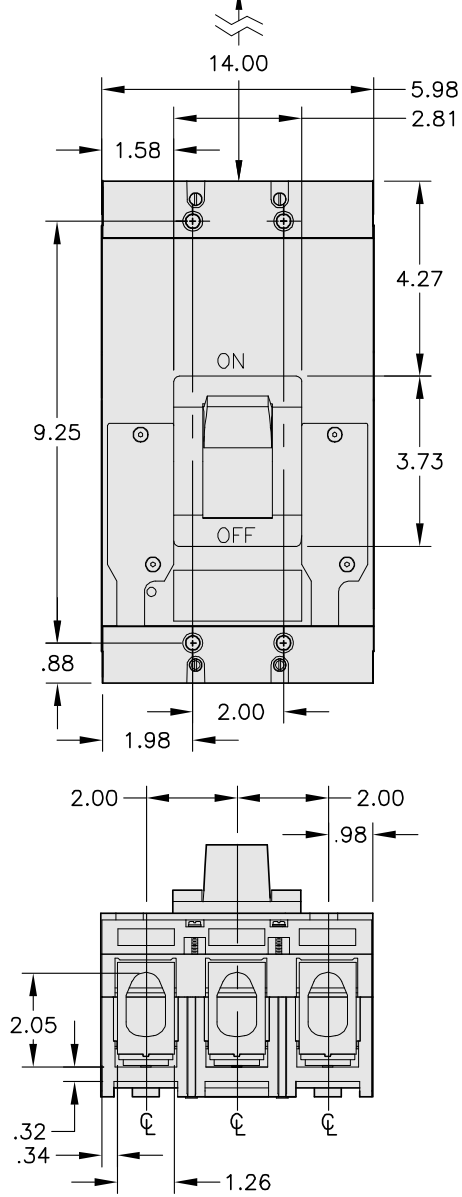
## Offer Sustainability

<b>Sustainable offer status</b>	Green Premium product
<b>REACH Regulation</b>	<a href="#">REACH Declaration</a>
<b>EU RoHS Directive</b>	Compliant <a href="#">EU RoHS Declaration</a>
<b>Mercury free</b>	Yes
<b>China RoHS Regulation</b>	<a href="#">China RoHS declaration</a> Product out of China RoHS scope. Substance declaration for your information
<b>RoHS exemption information</b>	<a href="#">Yes</a>
<b>Environmental Disclosure</b>	<a href="#">Product Environmental Profile</a>
<b>PVC free</b>	Yes
<b>Halogen content performance</b>	Halogen free plastic parts product

**Dimensions**

Electrical Clearance / Wire Bending Space

Wire bending space is based upon the maximum wire size of the terminal, and NEC article 430-10. Wire bending space for the bottom is the same as the top wire bending space.



ALL DIMENSIONS ARE APPROXIMATE.  
 ALSO SEE CAD, TECHNICAL DRAWINGS, AND TECHNICAL DOCUMENTATION

**Recommended replacement(s)**