

Product data sheet

Specifications

SQUARE D

Green Premium™



Circuit breaker, LA, 400A, 2 pole, 600VAC, 22kA, 250VDC, 10kA, lugs

LAL26400

Main

| | |
|---------------------------|------------------|
| Product or component type | Circuit breaker |
| Trip Unit Technology | Thermal-magnetic |

Complementary

| | |
|-----------------------------|--|
| [In] rated current | 400 A |
| Number of Poles | 2P |
| Mounting Mode | Unit mount |
| Magnetic Hold Current | 2000 A |
| Magnetic Tripping Current | 4000 A |
| Electrical connection | Lugs load Lugs line |
| Terminal identifier | AL400LA |
| Tightening torque | 115.06 lbf.in (13 N.m) 0.07...0.47 in ² (42...304 mm ²) AWG 1...600 kcmil 115.06 lbf.in (13 N.m) 0.07...0.20 in ² (42...127 mm ²) AWG 1...250 kcmil |
| Height | 11 in (279.40 mm) |
| Width | 6 in (152.40 mm) |
| Depth | 5.84 in (148.34 mm) |
| Circuit breaker application | HACR rated |

Environment

| | |
|----------------|-------------------------|
| Certifications | UL listed IEC CSA |
|----------------|-------------------------|

Packing Units

| | |
|------------------------------|------------------------|
| Unit Type of Package 1 | PCE |
| Number of Units in Package 1 | 1 |
| Package 1 Height | 9.02 in (22.9 cm) |
| Package 1 Width | 11.69 in (29.7 cm) |
| Package 1 Length | 17.20 in (43.7 cm) |
| Package 1 Weight | 14.51 lb(US) (6.58 kg) |

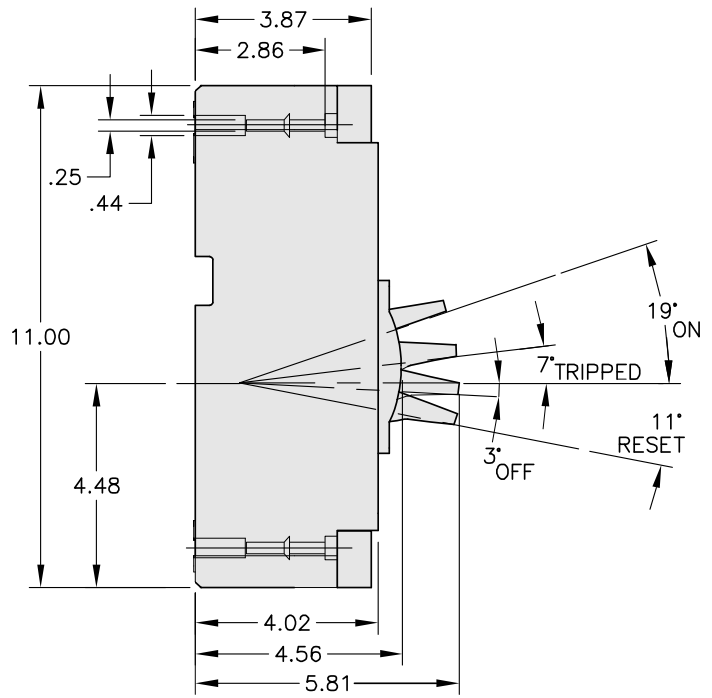
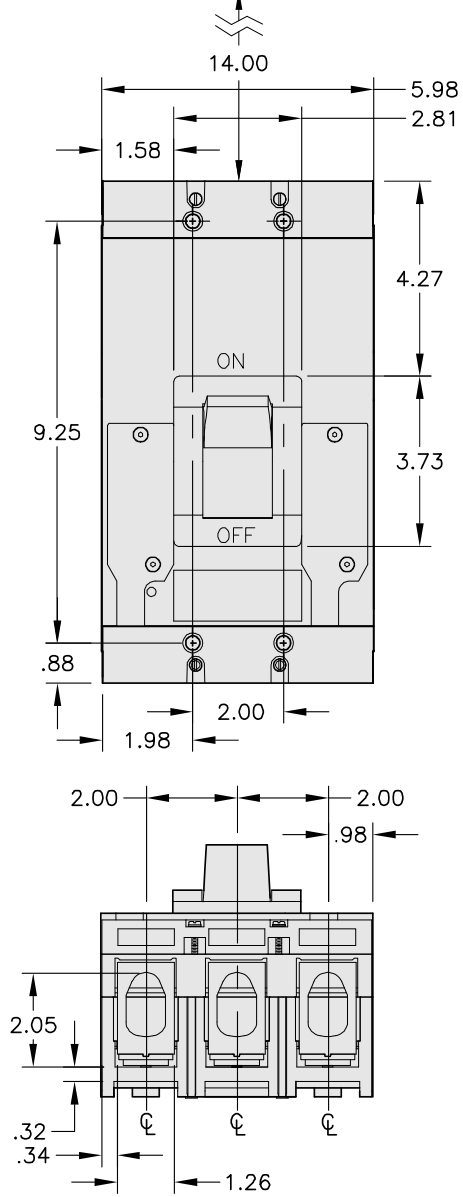
Offer Sustainability

| | |
|------------------------------------|---|
| Sustainable offer status | Green Premium product |
| REACH Regulation | REACH Declaration |
| EU RoHS Directive | Compliant EU RoHS Declaration |
| Mercury free | Yes |
| RoHS exemption information | Yes |
| China RoHS Regulation | China RoHS declaration Product out of China RoHS scope. Substance declaration for your information |
| Environmental Disclosure | Product Environmental Profile |
| PVC free | Yes |
| Halogen content performance | Halogen free plastic parts product |

Dimensions

Electrical Clearance / Wire Bending Space

Wire bending space is based upon the maximum wire size of the terminal, and NEC article 430-10. Wire bending space for the bottom is the same as the top wire bending space.



ALL DIMENSIONS ARE APPROXIMATE.
 ALSO SEE CAD, TECHNICAL DRAWINGS, AND TECHNICAL DOCUMENTATION

Recommended replacement(s)