

Typical K-Frame Circuit Breaker



Contents

<i>Description</i>	<i>Page</i>
Product Overview	V4-T2-220
Standards and Certifications	V4-T2-221
Quick Reference	V4-T2-222
G-Frame (15–100 Amperes)	V4-T2-225
F-Frame (10–225 Amperes)	V4-T2-239
J-Frame (70–250 Amperes)	V4-T2-257
K-Frame (70–400 Amperes)	
Catalog Number Selection	V4-T2-266
Product Selection	V4-T2-268
Accessories	V4-T2-284
Technical Data and Specifications	V4-T2-285
Dimensions and Weights	V4-T2-288
L-Frame (125–600 Amperes)	V4-T2-289
M-Frame (300–800 Amperes)	V4-T2-315
N-Frame (400–1200 Amperes)	V4-T2-326
R-Frame (800–2500 Amperes)	V4-T2-341
Motor Circuit Protectors (MCP)	V4-T2-360
Motor Protection Circuit Breakers (MPCB)	V4-T2-371
Type ELC Current Limiter Attachment (Size 0–4)	V4-T2-373
Current Limiting Circuit Breaker Module	V4-T2-374
Internal Accessories	V4-T2-377
External Accessories	V4-T2-410

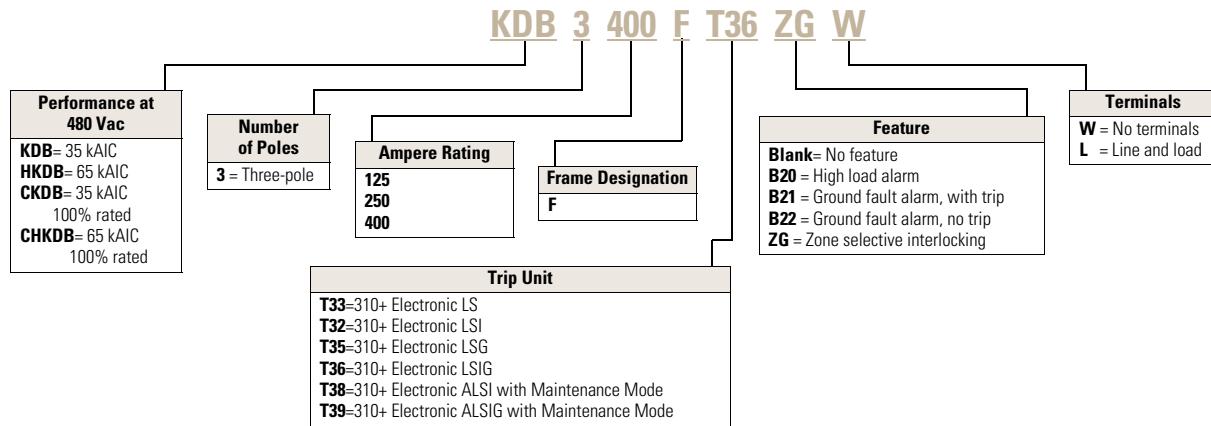
K-Frame (70–400 Amperes)

Product Description

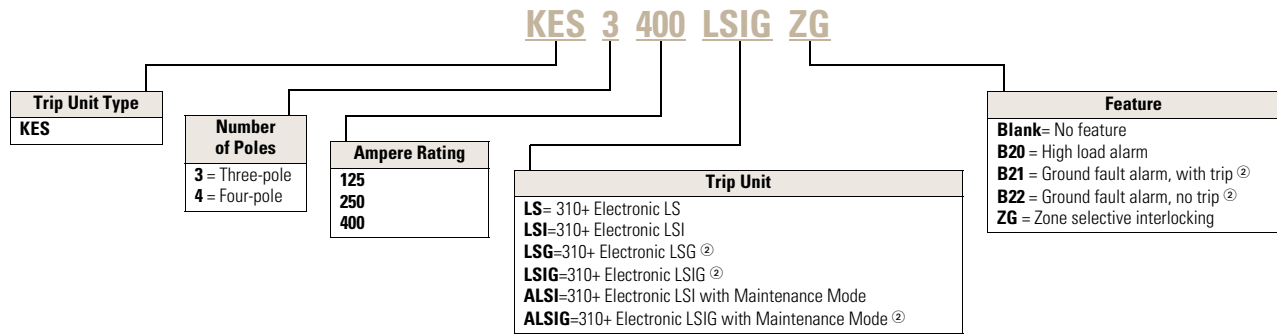
- All Eaton K-Frame circuit breakers are HACR rated
- K-Frame circuit breakers are available as individual components (frame, trip unit, terminals), or factory assembled complete breakers
- K-Frame circuit breakers with non-interchangeable trip units are suitable for reverse feed use

K-Frame with 310+ Electronic Trip Unit Technology ①

310+ Circuit Breakers ②

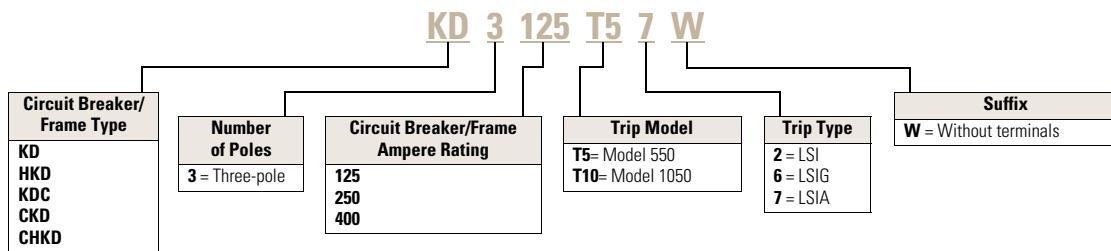


310+ Electronic Trip Units ③



K-Frame with OPTIM Trip Unit Technology

OPTIM Circuit Breakers



Notes

- ① Cannot combine 'B2X' suffixes with 'B2X' suffixes.
- ② Not available in four-pole configurations.
- ③ Frames are the same for thermal-magnetic or 310+ electronic trip units, e.g., **KD3400F**, **HKD3400F**, etc.

Types KD, HKD and KDC Thermal-Magnetic Circuit Breakers—Frame Only

Standard Interrupting Capacity 600 Vac Rated 35 kAIC at 480 Vac	High Interrupting Capacity 600 Vac Rated 65 kAIC at 480 Vac	Ultra High Interrupting Capacity Current Limiting 600 Vac Rated 100 kAIC at 480 Vac
Catalog Number	Catalog Number	Catalog Number
Two-Pole		
KD2400F	HKD2400F	KDC2400F
Three-Pole		
KD3400F	HKD3400F	KDC3400F
Four-Pole		
KD4400F	HKD4400F	KDC4400F

Types KD, HKD and KDC Electronic Circuit Breakers with Interchangeable 310+ Trip Units

Order as individual components: breaker frame, trip unit and terminals. See 310+ adjustability specifications on [Page V4-T2-286](#).

Types KD, HKD and KDC Electronic Circuit Breakers with Interchangeable 310+ Trip Units—Three-Pole

Max. Cont. Ampere Rating at 40 °C	Circuit Breaker Frame Only			Digitrip RMS 310+ Trip Unit Only ^①				Neutral CT for LSG and LSIG ^{②③}	Terminal Information
	Standard Interrupting Capacity 600 Vac Rated 35 kAIC at 480 Vac Catalog Number	High Interrupting Capacity 600 Vac Rated 65 kAIC at 480 Vac Catalog Number	Ultra High Interrupting Capacity Current Limiting 600 Vac Rated 100 kAIC at 480 Vac	Standard LS	Options LSI	LSG	LSIG		
125	KD3400F	HKD3400F	KDC3400F	KES3125LS	KES3125LSI	KES3125LSG	KES3125LSIG	LGFACT125	See Page V4-T2-283
250	KD3400F	HKD3400F	KDC3400F	KES3250LS	KES3250LSI	KES3250LSG	KES3250LSIG	LGFACT250	
400	KD3400F	HKD3400F	KDC3400F	KES3400LS	KES3400LSI	KES3400LSG	KES3400LSIG	LGFACT400	

Types KD, HKD and KDC Electronic Circuit Breakers with Interchangeable 310+ Trip Units—Four-Pole ^{④⑤}

Max. Cont. Ampere Rating at 40 °C	Circuit Breaker Frame Only			Digitrip RMS 310+ Trip Unit Only ^①				Neutral CT for LSG and LSIG ^{②③}	Terminal Information
	Standard Interrupting Capacity 600 Vac Rated 35 kAIC at 480 Vac Catalog Number	High Interrupting Capacity 600 Vac Rated 65 kAIC at 480 Vac Catalog Number	Ultra High Interrupting Capacity Current Limiting 600 Vac Rated 100 kAIC at 480 Vac	Standard LS	Options LSI	LSG	LSIG		
125	KD4400F	HKD4400F	KDC4400F	KES4125LS	KES4125LSI	—	—	—	See Page V4-T2-283
250	KD4400F	HKD4400F	KDC4400F	KES4250LS	KES4250LSI	—	—	—	
400	KD4400F	HKD4400F	KDC4400F	KES4400LS	KES4400LSI	—	—	—	

Notes

- ① For AC use only.
- ② Required for four-wire systems if neutral protection is desired.
- ③ Included with LSG and LSIG trip units.
- ④ Trip unit includes protected neutral pole. Use corresponding three-pole trip unit if protected neutral pole is not required.
- ⑤ Fully rated neutral pole protection is standard. For 50% rated protection on neutral pole, add Suffix E to four-pole trip unit catalog number.

2.4

Molded Case Circuit Breakers

Series C

2

Type KDB with Digitrip 310+ Non-Interchangeable Trip Unit Suitable for Reverse Feed

See 310+ adjustability specifications on [Page V4-T2-286](#).

Factory Assembled Circuit Breaker Consisting of Frame and Trip Unit Less Terminals ^①							
Maximum Continuous Ampere Rating at 40 °C	Number of Poles	Standard LS	Optional LSI	LSG	LSIG	Neutral CT for LSG and LSIG ^{②③}	Terminal Information
		Adjustable Short Time Pickup with I ² t Short Delay Ramp Catalog Number	Independently Adjustable Short Time Pickup and Delay	Adjustable Short Time Pickup with I ² t Short Delay and Ground Fault Protection	Independently Adjustable Short Time Pickup and Ground Fault Protection		
125	3	KDB3125FT33W	KDB3125FT32W	KDB3125FT35W	KDB3125FT36W	LGFACT125	See Page V4-T2-284
250	3	KDB3250FT33W	KDB3250FT32W	KDB3250FT35W	KDB3250FT36W	LGFACT250	
400	3	KDB3400FT33W	KDB3400FT32W	KDB3400FT35W	KDB3400FT36W	LGFACT400	

Type HKDB with Digitrip 310+ Non-Interchangeable Trip Unit Suitable for Reverse Feed

See 310+ adjustability specifications on [Page V4-T2-286](#).

Factory Assembled Circuit Breaker Consisting of Frame and Trip Unit Less Terminals ^①							
Maximum Continuous Ampere Rating at 40 °C	Number of Poles	Standard LS	Optional LSI	LSG	LSIG	Neutral CT for LSG and LSIG ^{②③}	Terminal Information
		Adjustable Short Time Pickup with I ² t Short Delay Ramp Catalog Number	Independently Adjustable Short Time Pickup and Delay	Adjustable Short Time Pickup with I ² t Short Delay and Ground Fault Protection	Independently Adjustable Short Time Pickup and Ground Fault Protection		
125	3	HKDB3125FT33W	HKDB3125FT32W	HKDB3125FT35W	HKDB3125FT36W	LGFACT125	See Page V4-T2-284
250	3	HKDB3250FT33W	HKDB3250FT32W	HKDB3250FT35W	HKDB3250FT36W	LGFACT250	
400	3	HKDB3400FT33W	HKDB3400FT32W	HKDB3400FT35W	HKDB3400FT36W	LGFACT400	

100% Rated Types CKD and CHKD Electronic Circuit Breakers

The NEC allows the breaker to be rated at 100% of its frame size in an assembly, provided that 90 °C wire is applied at the 75 °C ampacity. All 100% rated circuit breakers have electronic trip units.

100% Rated Types CKD and CHKD Electronic Circuit Breakers—Three-Pole

See 310+ adjustability specifications on [Page V4-T2-286](#).

Maximum Continuous Ampere Rating at 40 °C	Circuit Breaker Frame Only		Digitrip RMS 310+ Trip Unit Only		Adjustable Short Time Pickup with I ² t Short Delay and Ground Fault Protection	Independently Adjustable Short Time Pickup and Delay and Ground Fault Protection	Neutral CT for LSG and LSIG ^{②③}	Terminal Information
	Standard Interrupting Capacity	High Interrupting Capacity	Standard	Options				
	35 kAIC at 480 Vac Catalog Number	65 kAIC at 480 Vac	Adjustable Short Time Pickup with I ² t Short Delay Ramp	Independently Adjustable Short Time Pickup and Delay				
125	CKD3400F	CHKD3400F	KES3125LS	KES3125LSI	KES3125LSG	KES3125LSIG	LGFACT125	See Page V4-T2-283
250	CKD3400F	CHKD3400F	KES3250LS	KES3250LSI	KES3250LSG	KES3250LSIG	LGFACT250	
400	CKD3400F	CHKD3400F	KES3400LS	KES3400LSI	KES3400LSG	KES3400LSIG	LGFACT400	

Notes

- ① For AC use only.
- ② Required for four-wire systems if neutral protection is desired.
- ③ Included with LSG and LSIG trip units.