

Typical K-Frame Circuit Breaker



## Contents

<i>Description</i>	<i>Page</i>
Product Overview . . . . .	V4-T2-220
Standards and Certifications . . . . .	V4-T2-221
Quick Reference . . . . .	V4-T2-222
G-Frame (15–100 Amperes) . . . . .	V4-T2-225
F-Frame (10–225 Amperes) . . . . .	V4-T2-239
J-Frame (70–250 Amperes) . . . . .	V4-T2-257
K-Frame (70–400 Amperes)	
Catalog Number Selection . . . . .	V4-T2-266
Product Selection . . . . .	V4-T2-268
Accessories . . . . .	V4-T2-284
Technical Data and Specifications . . . . .	V4-T2-285
Dimensions and Weights . . . . .	V4-T2-288
L-Frame (125–600 Amperes) . . . . .	V4-T2-289
M-Frame (300–800 Amperes) . . . . .	V4-T2-315
N-Frame (400–1200 Amperes) . . . . .	V4-T2-326
R-Frame (800–2500 Amperes) . . . . .	V4-T2-341
Motor Circuit Protectors (MCP) . . . . .	V4-T2-360
Motor Protection Circuit Breakers (MPCB) . . . . .	V4-T2-371
Type ELC Current Limiter Attachment (Size 0–4) . . . . .	V4-T2-373
Current Limiting Circuit Breaker Module . . . . .	V4-T2-374
Internal Accessories . . . . .	V4-T2-377
External Accessories . . . . .	V4-T2-410

## K-Frame (70–400 Amperes)

### Product Description

- All Eaton K-Frame circuit breakers are HACR rated
- K-Frame circuit breakers are available as individual components (frame, trip unit, terminals), or factory assembled complete breakers
- K-Frame circuit breakers with non-interchangeable trip units are suitable for reverse feed use

# 2.4

## Molded Case Circuit Breakers

### Series C

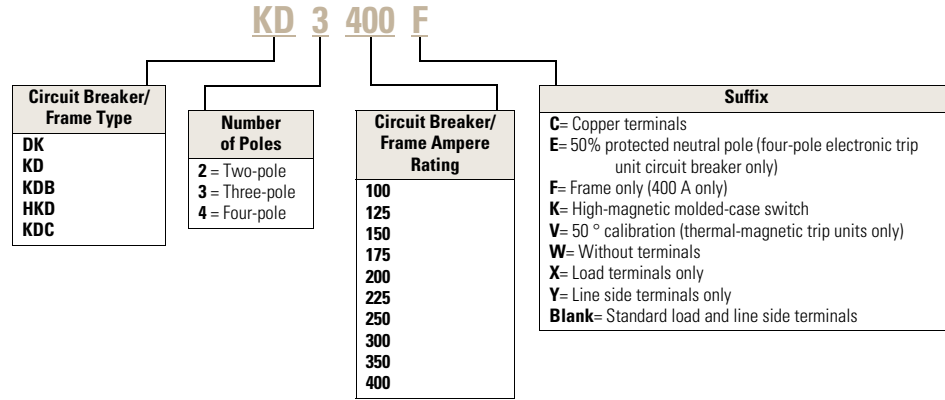
2

#### Catalog Number Selection

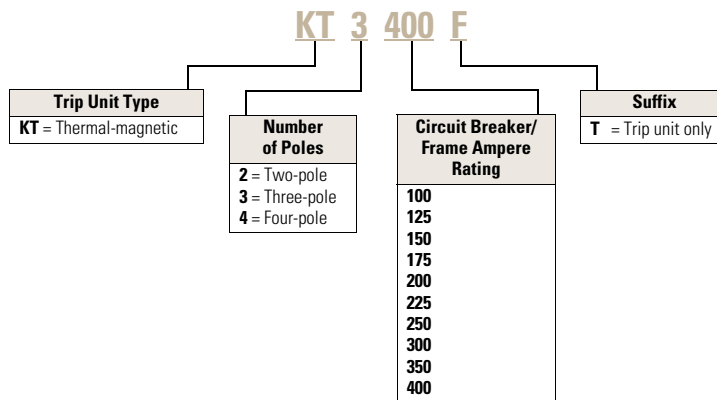
This information is presented only as an aid to understanding catalog numbers. It is not to be used to build catalog numbers for circuit breakers or trip units.

#### K-Frame with Thermal-Magnetic Trip Unit Technology

##### Thermal-Magnetic Breakers and Frames ①



##### Thermal-Magnetic Trip Unit ①



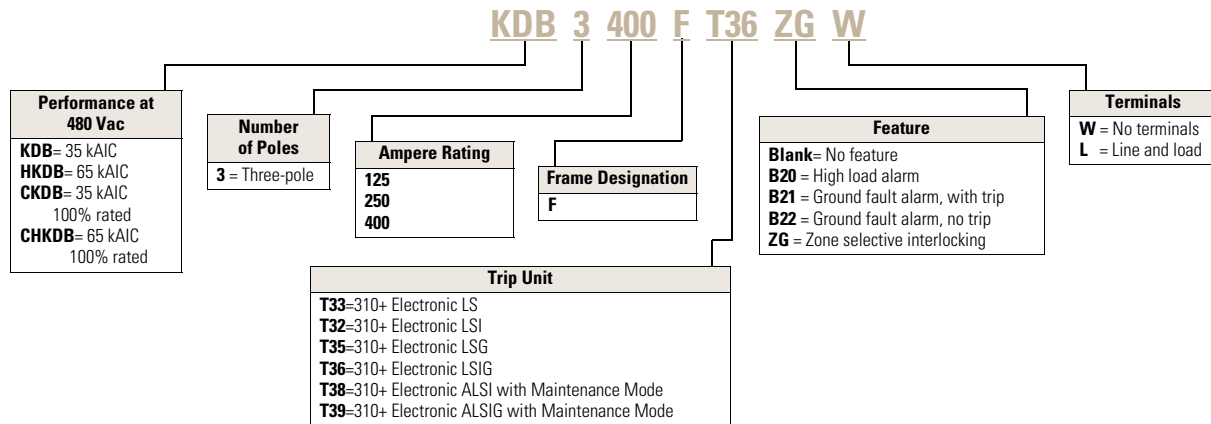
#### Notes

① Frames are the same for thermal-magnetic or 310+ electronic trip units, e.g., **KD3400F** or **HKD3400F**.

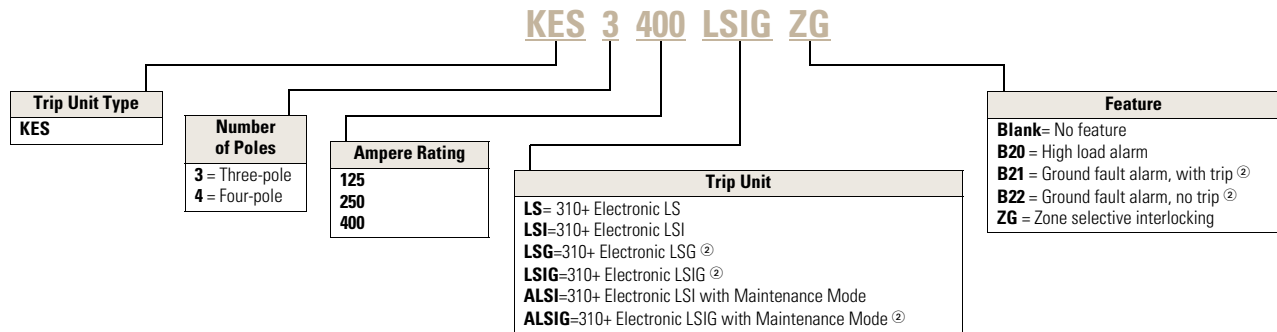
Ampere rating available with electronic trip unit only.

**K-Frame with 310+ Electronic Trip Unit Technology** ①

**310+ Circuit Breakers** ②

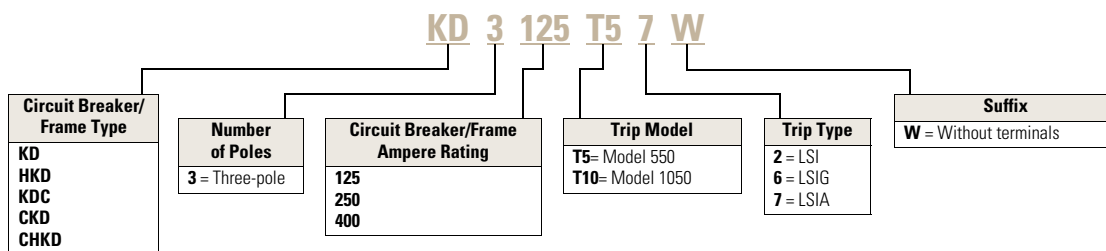


**310+ Electronic Trip Units** ③



**K-Frame with OPTIM Trip Unit Technology**

**OPTIM Circuit Breakers**



**Notes**

- ① Cannot combine 'B2X' suffixes with 'B2X' suffixes.
- ② Not available in four-pole configurations.
- ③ Frames are the same for thermal-magnetic or 310+ electronic trip units, e.g., **KD3400F, HKD3400F**, etc.

## Types KD, HKD and KDC Thermal-Magnetic Circuit Breakers—Frame Only

Standard Interrupting Capacity 600 Vac Rated 35 kAIC at 480 Vac	High Interrupting Capacity 600 Vac Rated 65 kAIC at 480 Vac	Ultra High Interrupting Capacity Current Limiting 600 Vac Rated 100 kAIC at 480 Vac
Catalog Number	Catalog Number	Catalog Number
<b>Two-Pole</b>		
KD2400F	HKD2400F	KDC2400F
<b>Three-Pole</b>		
KD3400F	HKD3400F	KDC3400F
<b>Four-Pole</b>		
KD4400F	HKD4400F	KDC4400F

## Types KD, HKD and KDC Electronic Circuit Breakers with Interchangeable 310+ Trip Units

Order as individual components: breaker frame, trip unit and terminals. See 310+ adjustability specifications on [Page V4-T2-286](#).

## Types KD, HKD and KDC Electronic Circuit Breakers with Interchangeable 310+ Trip Units—Three-Pole

Max. Cont. Ampere Rating at 40 °C	Circuit Breaker Frame Only			Digitrip RMS 310+ Trip Unit Only <sup>①</sup>				Neutral CT for LSG and LSI <sup>②③</sup>	Terminal Information
	Standard Interrupting Capacity 600 Vac Rated 35 kAIC at 480 Vac Catalog Number	High Interrupting Capacity 600 Vac Rated 65 kAIC at 480 Vac Catalog Number	Ultra High Interrupting Capacity Current Limiting 600 Vac Rated 100 kAIC at 480 Vac	Standard LS	Options LSI	LSG	LSIG		
125	KD3400F	HKD3400F	KDC3400F	KES3125LS	KES3125LSI	KES3125LSG	KES3125LSIG	LGFT125	See <a href="#">Page V4-T2-283</a>
250	KD3400F	HKD3400F	KDC3400F	KES3250LS	KES3250LSI	KES3250LSG	KES3250LSIG	LGFT250	
400	KD3400F	HKD3400F	KDC3400F	KES3400LS	KES3400LSI	KES3400LSG	KES3400LSIG	LGFT400	

Types KD, HKD and KDC Electronic Circuit Breakers with Interchangeable 310+ Trip Units—Four-Pole <sup>④⑤</sup>

Max. Cont. Ampere Rating at 40 °C	Circuit Breaker Frame Only			Digitrip RMS 310+ Trip Unit Only <sup>①</sup>				Neutral CT for LSG and LSI <sup>②③</sup>	Terminal Information
	Standard Interrupting Capacity 600 Vac Rated 35 kAIC at 480 Vac Catalog Number	High Interrupting Capacity 600 Vac Rated 65 kAIC at 480 Vac Catalog Number	Ultra High Interrupting Capacity Current Limiting 600 Vac Rated 100 kAIC at 480 Vac	Standard LS	Options LSI	LSG	LSIG		
125	KD4400F	HKD4400F	KDC4400F	KES4125LS	KES4125LSI	—	—	—	See <a href="#">Page V4-T2-283</a>
250	KD4400F	HKD4400F	KDC4400F	KES4250LS	KES4250LSI	—	—	—	
400	KD4400F	HKD4400F	KDC4400F	KES4400LS	KES4400LSI	—	—	—	

## Notes

- ① For AC use only.
- ② Required for four-wire systems if neutral protection is desired.
- ③ Included with LSG and LSI trip units.
- ④ Trip unit includes protected neutral pole. Use corresponding three-pole trip unit if protected neutral pole is not required.
- ⑤ Fully rated neutral pole protection is standard. For 50% rated protection on neutral pole, add Suffix E to four-pole trip unit catalog number.