

# Product data sheet

Specifications

SQUARE D

Green Premium™



Circuit breaker, PowerPacT J, 200A, 3 pole, 600VAC, 50kA, lugs, thermal magnetic, 80%

JLL36200

## Main

Product or component type      Circuit breaker

## Complementary

[In] rated current                      200 A

Number of Poles                        3P

Control type                              Toggle

Breaking capacity code                L

Breaking capacity                      125 kA 240 V AC 50/60 Hz UL 489  
100 kA 480 V AC 50/60 Hz UL 489  
50 kA 600 V AC 50/60 Hz UL 489  
20 kA 250 V DC UL 489  
50 kA 500 V DC UL 489

[Ue] rated operational voltage        600 V AC 50/60 Hz IEC 60947-3

Network frequency                    50/60 Hz

[Ics] rated service breaking capacity    125 kA 220/240 V AC 50/60 Hz IEC 60947-2  
100 kA 380/440/415 V AC 50/60 Hz IEC 60947-2  
50 kA 500/525 V AC 50/60 Hz IEC 60947-2  
20 kA 250 V DC IEC 60947-2  
20 kA 500 V DC IEC 60947-2

[Uimp] rated impulse withstand voltage    8 kV IEC 60947-2

Trip unit technology                    Thermal-magnetic

Magnetic tripping current            2000 A

Magnetic hold current                1000 A

Continuous current rating            80 %

[Ui] rated insulation voltage        750 V IEC 60947-2

Protection type                        Overload protection  
Short-circuit protection

Suitability for isolation                Yes IEC 60947-2

Utilisation category                    Category A

AWG gauge                              AWG 3/0...350 kcmil aluminum/copper terminals

Local signalling                        Switched off (OFF) 1 trip indicator green)

Mounting mode                         Unit mount lug)

Mounting support                        Lug

Electrical connection                Lugs line

	Lugs load
<b>Terminal identifier</b>	AL250JD
<b>Long time pick-up adjustment range</b>	0.25...1 x In
<b>Tightening torque</b>	221.27 lbf.in (25 N.m) 0.15...0.29 in <sup>2</sup> (95...185 mm <sup>2</sup> ) AWG 3/0...350 kcmil)
<b>Number of slots</b>	2 auxiliary switch OF plug-in) 1 alarm switch SD plug-in) 1 overcurrent trip switch SDE plug-in) 1 voltage release MN or MX plug-in)
<b>Power wire stripping length</b>	0.98 in (25 mm)
<b>Height</b>	7.52 in (191 mm)
<b>Width</b>	4.09 in (104 mm)
<b>Depth</b>	3.39 in (86 mm)
<b>Net weight</b>	5.29 lb(US) (2.4 kg)
<b>Communication interface</b>	Modbus
<b>Circuit breaker application</b>	HACR rated

## Environment

<b>Quality labels</b>	CE
<b>Standards</b>	UL CSA NEMA NOM-003-SCFI-2000 IEC 60947-2
<b>Product certifications</b>	UL CSA NOM
<b>IP degree of protection</b>	Front cover IP40
<b>Pollution degree</b>	3
<b>Ambient air temperature for operation</b>	28...158 °F (-2...70 °C)
<b>Ambient air temperature for storage</b>	-58...185 °F (-50...85 °C)
<b>Operating altitude</b>	< 2000 m without derating 5000 m with derating

## Packing Units

<b>Unit Type of Package 1</b>	PCE
<b>Number of Units in Package 1</b>	1
<b>Package 1 Height</b>	7.40 in (18.796 cm)
<b>Package 1 Width</b>	6.00 in (15.24 cm)
<b>Package 1 Length</b>	9.10 in (23.114 cm)
<b>Package 1 Weight</b>	4.91 lb(US) (2.225 kg)

## Offer Sustainability

<b>Sustainable offer status</b>	Green Premium product
<b>REACH Regulation</b>	<a href="#">REACH Declaration</a>
<b>EU RoHS Directive</b>	Compliant <a href="#">EU RoHS Declaration</a>
<b>Mercury free</b>	Yes
<b>China RoHS Regulation</b>	<a href="#">China RoHS declaration</a> Product out of China RoHS scope. Substance declaration for your information

---

<b>RoHS exemption information</b>	<a href="#">Yes</a>
<b>Environmental Disclosure</b>	<a href="#">Product Environmental Profile</a>
<b>Circularity Profile</b>	<a href="#">End of Life Information</a>

---

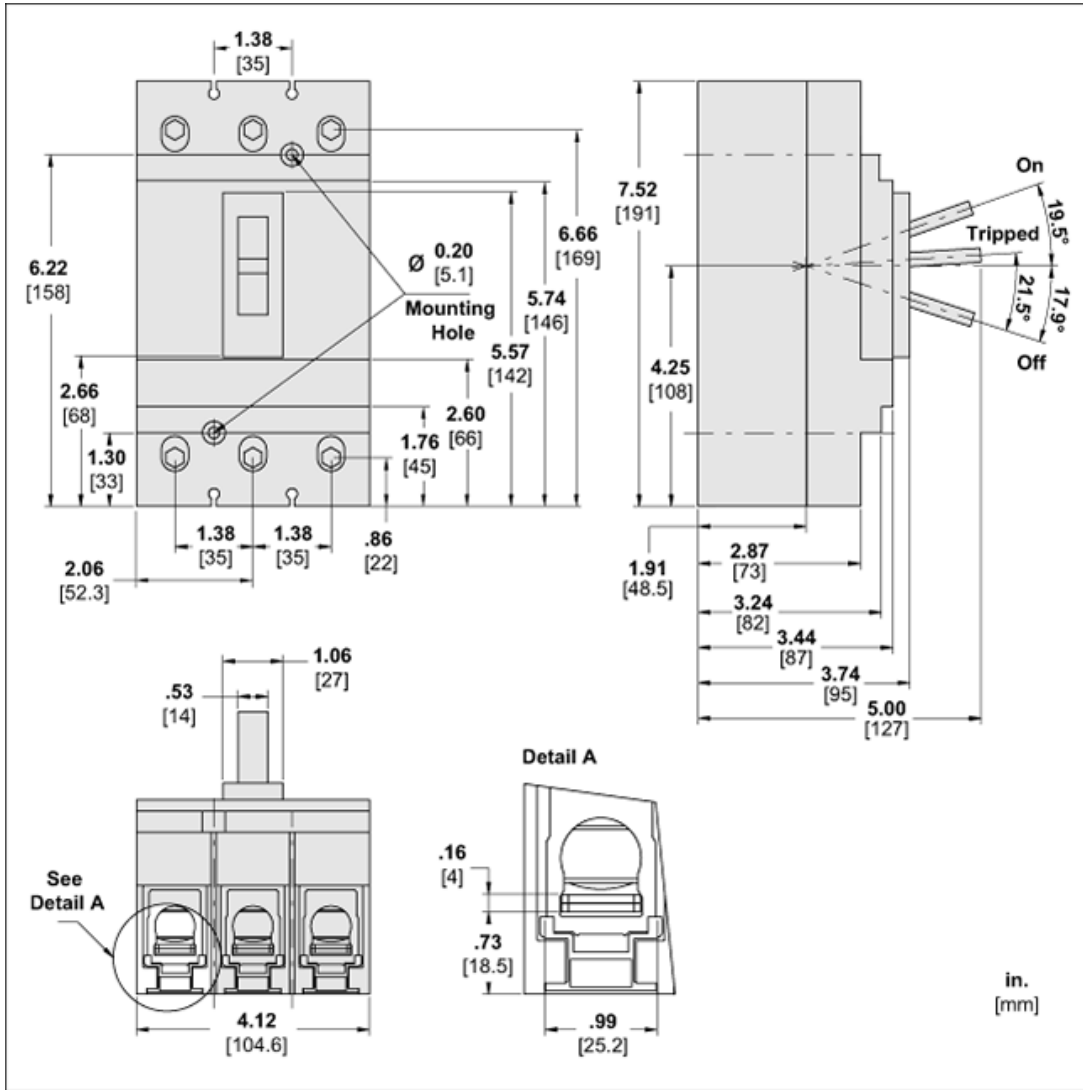
**PVC free** Yes

### **Contractual warranty**

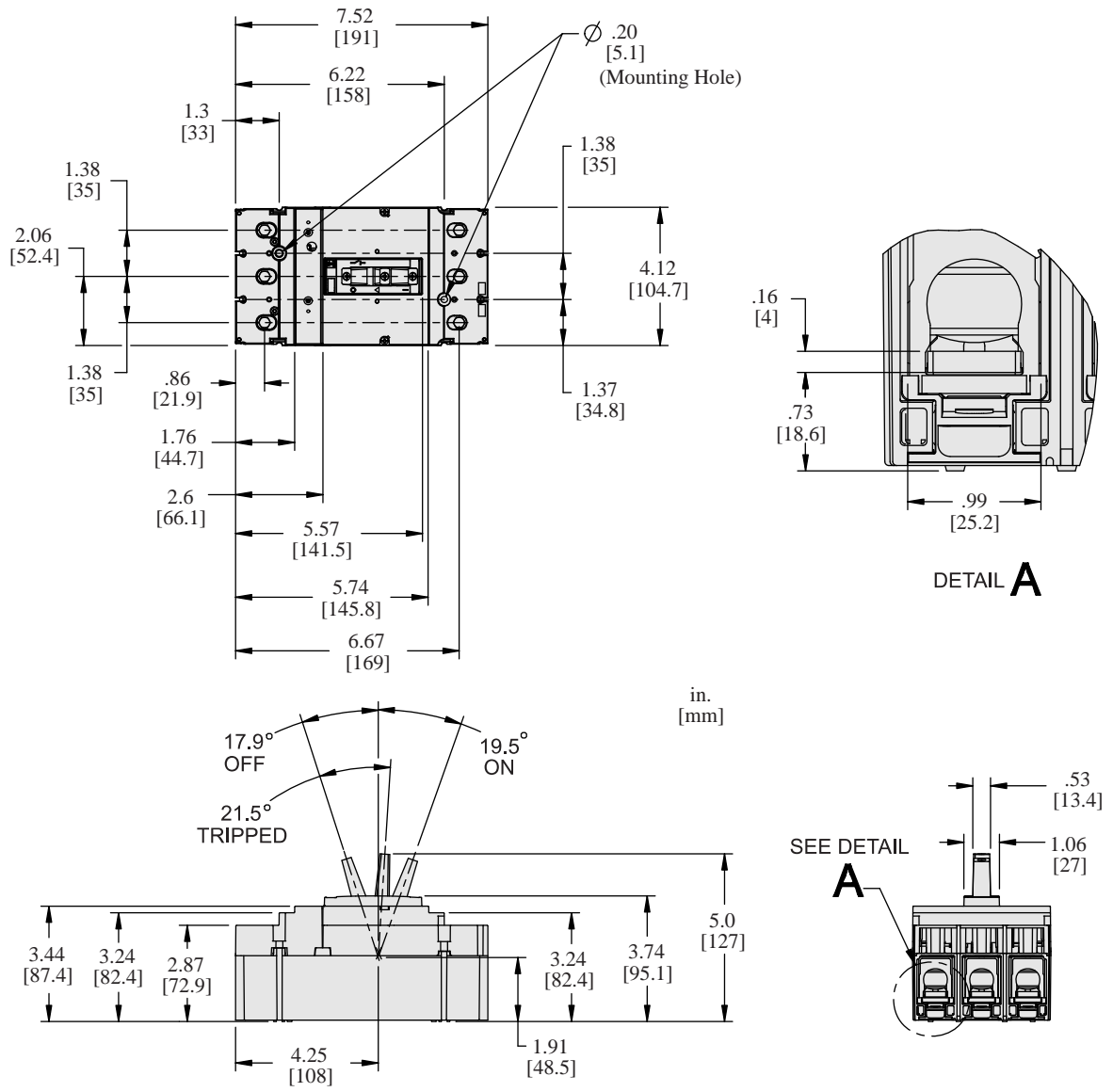
---

**Warranty** 18 months

Approximate Dimensions



Dimensions



ALL DIMENSIONS ARE APPROXIMATE.  
 ALSO REFER TO TECHNICAL DRAWINGS AND DOCUMENTATION.

Recommended replacement(s)