

Product data sheet

Specifications

SQUARE D

Green Premium™



Motor circuit protector, PowerPacT J, 250A, 3 pole, 600VAC, 25kA, lugs, thermal magnetic, 80%

JJL36250M75

Main

Product or component type Motor Circuit Protector

Complementary

[In] rated current 250 A

Number of Poles 3P

Control type Toggle

Breaking capacity code J

Breaking capacity 100 kA 240 V AC 50/60 Hz UL 489
65 kA 480 V AC 50/60 Hz UL 489
25 kA 600 V AC 50/60 Hz UL 489
20 kA 250 V DC UL 489

[Ue] rated operational voltage 600 V AC 50/60 Hz IEC 60947-3

Network frequency 50/60 Hz

[Ics] rated service breaking capacity 65 kA 220/240 V AC 50/60 Hz IEC 60947-2
35 kA 380/440/415 V AC 50/60 Hz IEC 60947-2
18 kA 500/525 V AC 50/60 Hz IEC 60947-2
20 kA 250 V DC IEC 60947-2
20 kA 500 V DC IEC 60947-2

[Uimp] rated impulse withstand voltage 8 kV IEC 60947-2

Trip unit technology Thermal-magnetic

[Ith] conventional free air thermal current 117...217 A

Magnetic tripping current 2500 A

Magnetic hold current 1250 A

Continuous current rating 80 %

[Ui] rated insulation voltage 750 V IEC 60947-2

Protection type Overload protection
Short-circuit protection

Suitability for isolation Yes IEC 60947-2

Utilisation category Category A

AWG gauge AWG 3/0...350 kcmil aluminum/copper terminals

Local signalling Switched off (OFF) 1 trip indicator green)

Mounting mode Unit mount lug)

Mounting support	Lug
Electrical connection	Lugs line Lugs load
Terminal identifier	AL250JD
Long time pick-up adjustment range	0.25...1 x In
Tightening torque	221.27 lbf.in (25 N.m) 0.15...0.29 in ² (95...185 mm ²) AWG 3/0...350 kcmil)
Number of slots	2 auxiliary switch OF plug-in) 1 alarm switch SD plug-in) 1 overcurrent trip switch SDE plug-in) 1 voltage release MN or MX plug-in)
Power wire stripping length	0.98 in (25 mm)
Height	7.52 in (191 mm)
Width	4.09 in (104 mm)
Depth	3.39 in (86 mm)
Net weight	5.29 lb(US) (2.4 kg)
Communication interface	Modbus

Environment

Quality labels	CE
Standards	UL CSA NEMA NOM-003-SCFI-2000 IEC 60947-2
Product certifications	UL CSA NOM
IP degree of protection	Front cover IP40
Pollution degree	3
Ambient air temperature for operation	28...158 °F (-2...70 °C)
Ambient air temperature for storage	-58...185 °F (-50...85 °C)
Operating altitude	< 2000 m without derating 5000 m with derating

Packing Units

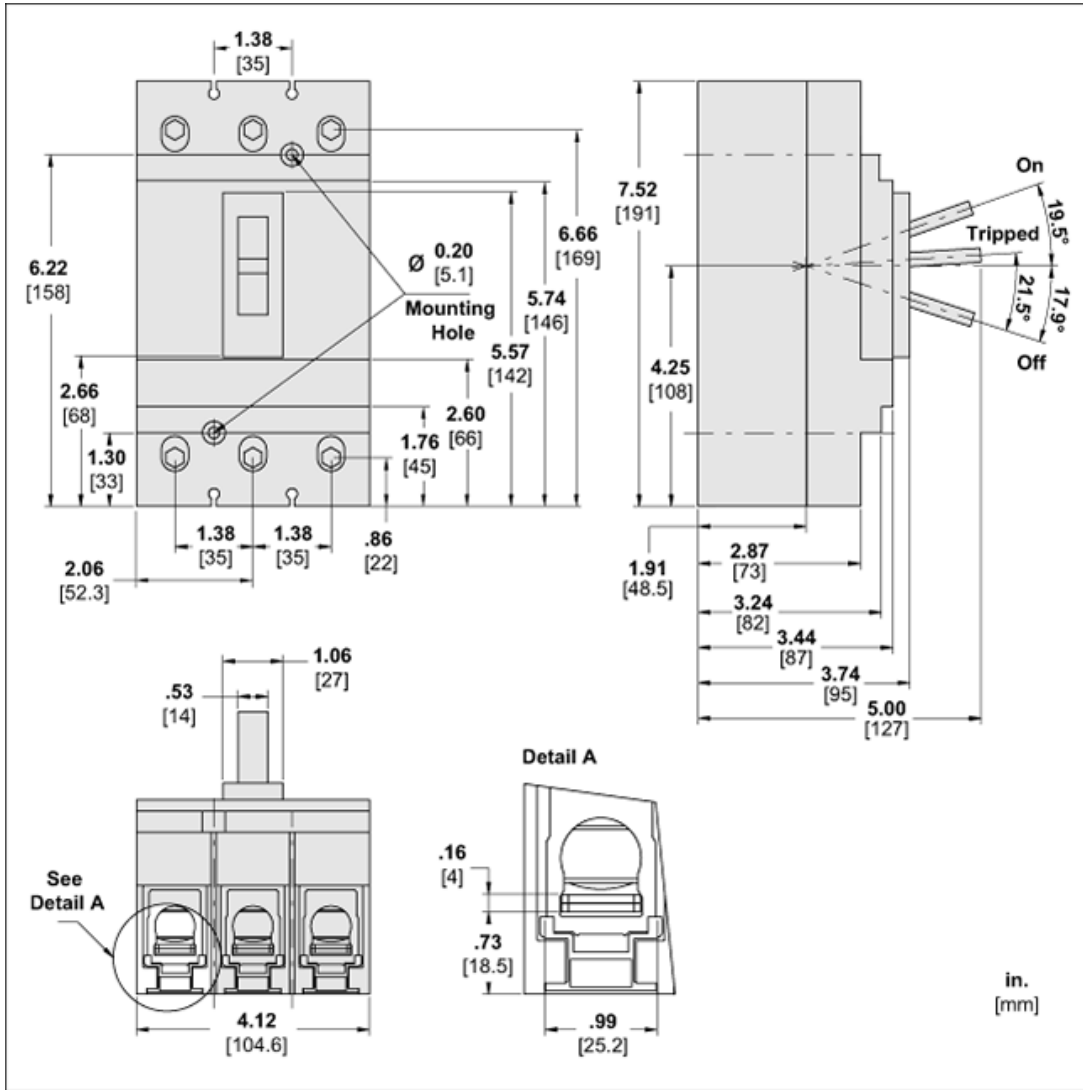
Unit Type of Package 1	PCE
Number of Units in Package 1	1
Package 1 Height	5.79 in (14.7 cm)
Package 1 Width	7.28 in (18.5 cm)
Package 1 Length	8.82 in (22.4 cm)
Package 1 Weight	5.11 lb(US) (2.32 kg)

Offer Sustainability

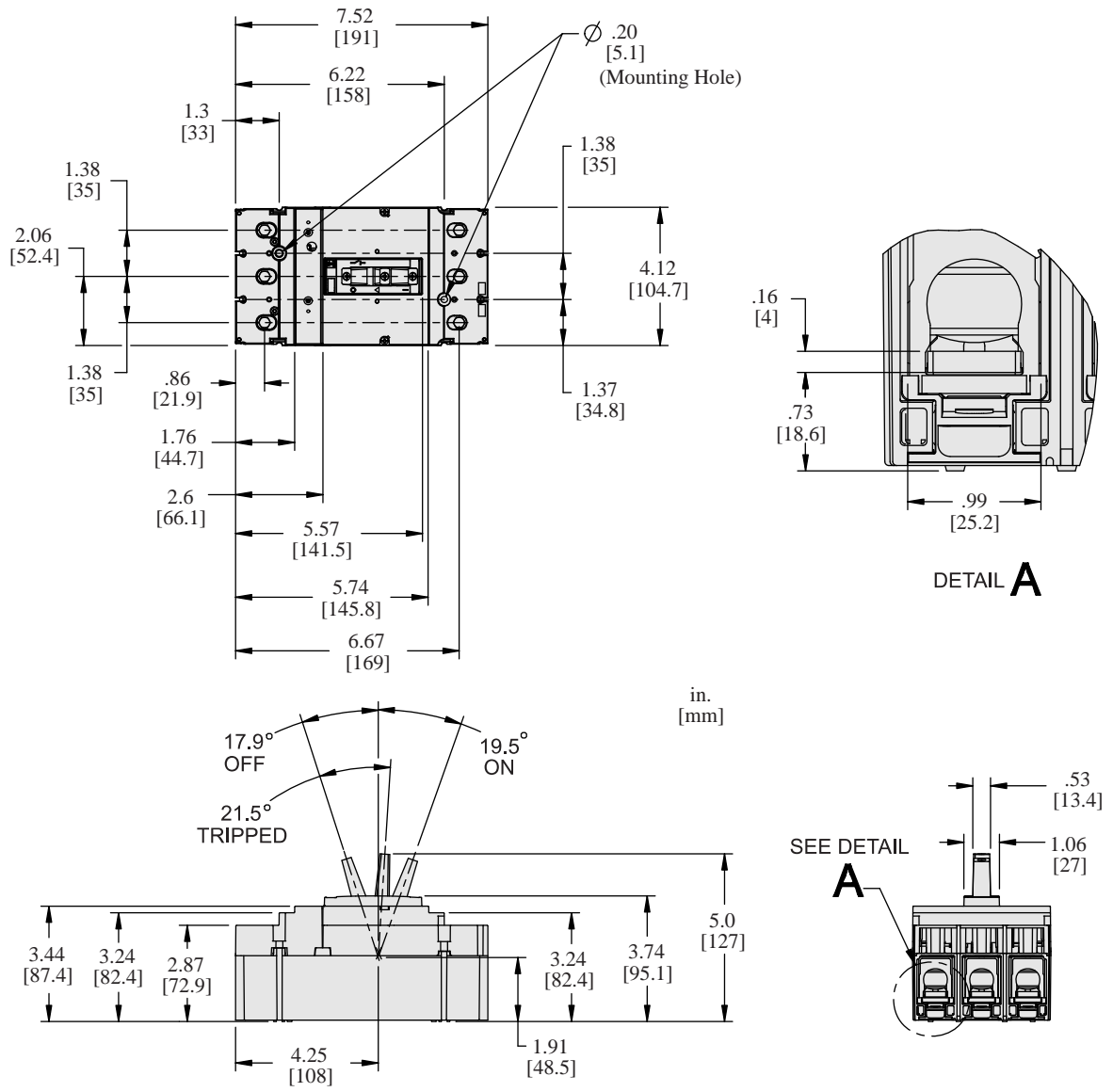
Sustainable offer status	Green Premium product
REACH Regulation	REACH Declaration
EU RoHS Directive	Compliant EU RoHS Declaration
Mercury free	Yes
RoHS exemption information	Yes

China RoHS Regulation	China RoHS declaration Product out of China RoHS scope. Substance declaration for your information
Environmental Disclosure	Product Environmental Profile
Circularity Profile	End of Life Information
WEEE	The product must be disposed on European Union markets following specific waste collection and never end up in rubbish bins
PVC free	Yes

Approximate Dimensions



Dimensions



ALL DIMENSIONS ARE APPROXIMATE.
 ALSO REFER TO TECHNICAL DRAWINGS AND DOCUMENTATION.

Recommended replacement(s)