

Product data sheet

Specifications

SQUARE D

Green Premium™



Circuit breaker, PowerPacT J, 250A, 3 pole, 600VAC, 18kA, lugs, Micrologic 3.2, 80%

JGL36250U31X

Main

| | |
|---------------------------|-----------------|
| Range | PowerPact |
| Product name | PowerPact J |
| Product or component type | Circuit breaker |
| Device application | Distribution |

Complementary

| | |
|--|---|
| [In] rated current | 250 A |
| Number of Poles | 3P |
| Control type | Toggle |
| Breaking capacity code | G |
| Breaking capacity | 65 kA 240 V AC 50/60 Hz UL 489 35 kA 480 V AC 50/60 Hz UL 489 18 kA 600 V AC 50/60 Hz UL 489 20 kA 250 V DC UL 489 20 kA 500 V DC UL 489 |
| [Ue] rated operational voltage | 600 V AC 50/60 Hz IEC 60947-3 |
| Network frequency | 50/60 Hz |
| [Ics] rated service breaking capacity | 65 kA 220/240 V AC 50/60 Hz IEC 60947-2 35 kA 380/440/415 V AC 50/60 Hz IEC 60947-2 18 kA 500/525 V AC 50/60 Hz IEC 60947-2 20 kA 250 V DC IEC 60947-2 20 kA 500 V DC IEC 60947-2 |
| [Uimp] rated impulse withstand voltage | 8 kV IEC 60947-2 |
| Trip unit technology | Electronic, standard, Micrologic 3.2, LI |
| Continuous current rating | 80 % |
| [Ui] rated insulation voltage | 750 V IEC 60947-2 |
| Trip unit name | Micrologic 3.2 |
| Protection type | Overload protection Short-circuit protection |
| Suitability for isolation | Yes IEC 60947-2 |
| Utilisation category | Category A |
| AWG gauge | AWG 3/0...350 kcmil aluminum/copper terminals |
| Local signalling | Ready 1 LED green) Alarm 1 LED 90 % Ir orange) Alarm 1 LED 105 % Ir red) |

Switched off (OFF) 1 trip indicator green)

| | |
|---|---|
| Mounting mode | Unit mount lug) |
| Mounting support | Lug |
| Electrical connection | Lugs line Lugs load |
| Terminal identifier | AL250JD |
| Long time pick-up adjustment range | 0.25...1 x In |
| Tightening torque | 221.27 lbf.in (25 N.m) 0.15...0.29 in ² (95...185 mm ²) AWG 3/0...350 kcmil) |
| Number of slots | 2 auxiliary switch OF plug-in) 1 alarm switch SD plug-in) 1 overcurrent trip switch SDE plug-in) 1 voltage release MN or MX plug-in) |
| Power wire stripping length | 0.98 in (25 mm) |
| Height | 7.52 in (191 mm) |
| Width | 4.09 in (104 mm) |
| Depth | 3.39 in (86 mm) |
| Net weight | 5.29 lb(US) (2.4 kg) |
| Communication interface | Modbus Ethernet |
| Circuit breaker application | HACR rated |

Environment

| | |
|--|---|
| Quality labels | CE |
| Standards | UL CSA NEMA NOM-003-SCFI-2000 IEC 60947-2 |
| Product certifications | UL CSA NOM |
| IP degree of protection | Front cover IP40 |
| Pollution degree | 3 IEC 60947-1 |
| Ambient air temperature for operation | 28...158 °F (-2...70 °C) |
| Ambient air temperature for storage | -58...185 °F (-50...85 °C) |
| Operating altitude | < 2000 m without derating 5000 m with derating |

Packing Units

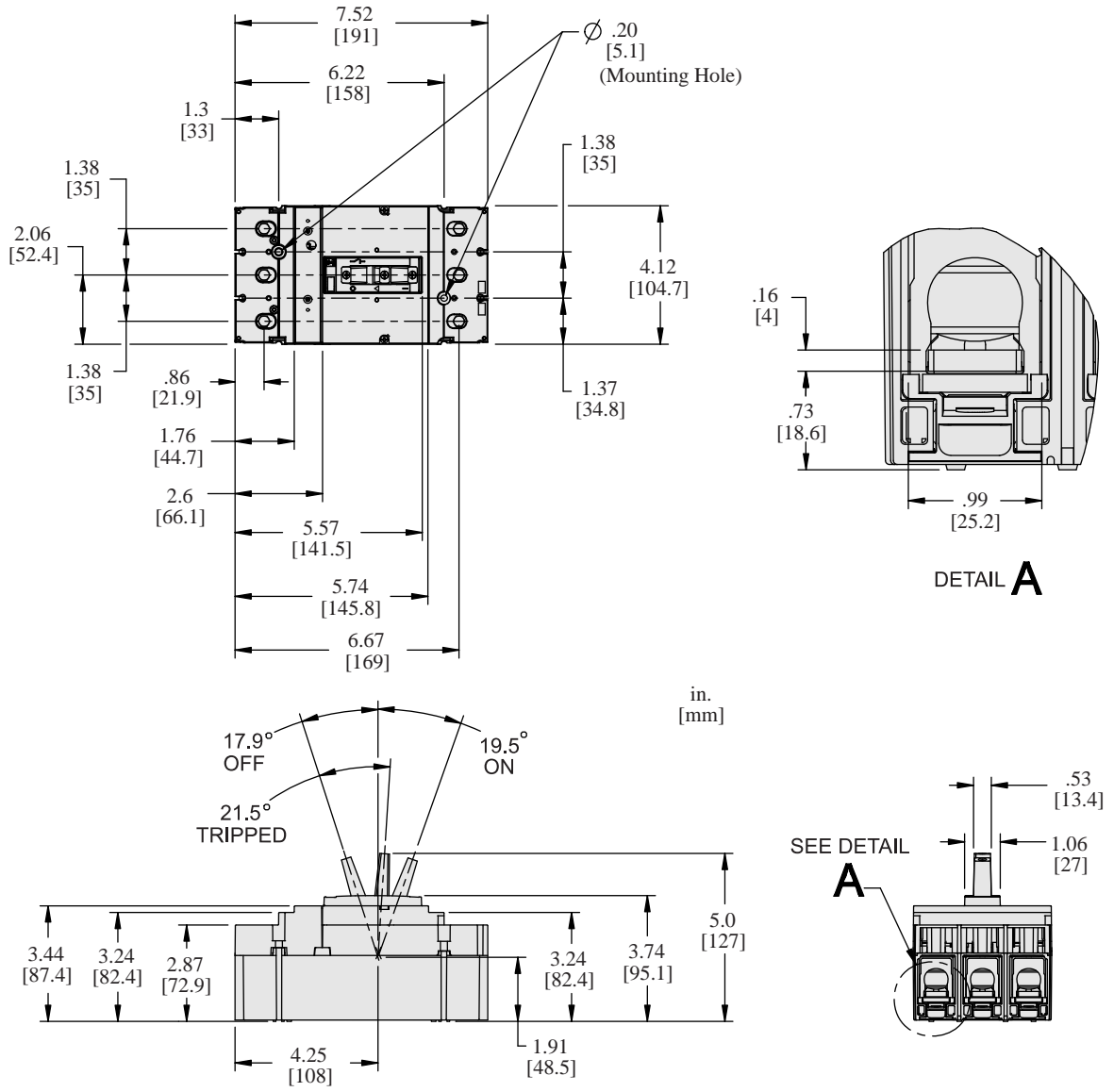
| | |
|-------------------------------------|-----------------------|
| Unit Type of Package 1 | PCE |
| Number of Units in Package 1 | 1 |
| Package 1 Height | 5.13 in (13.018 cm) |
| Package 1 Width | 7.25 in (18.415 cm) |
| Package 1 Length | 8.44 in (21.433 cm) |
| Package 1 Weight | 5.18 lb(US) (2.35 kg) |

Offer Sustainability

| | |
|---------------------------------|-----------------------------------|
| Sustainable offer status | Green Premium product |
| REACH Regulation | REACH Declaration |

| | |
|-----------------------------------|---|
| EU RoHS Directive | Compliant EU RoHS Declaration |
| Mercury free | Yes |
| China RoHS Regulation | China RoHS declaration Product out of China RoHS scope. Substance declaration for your information |
| RoHS exemption information | Yes |
| Environmental Disclosure | Product Environmental Profile |
| Circularity Profile | End of Life Information |
| PVC free | Yes |

Dimensions



ALL DIMENSIONS ARE APPROXIMATE.
 ALSO REFER TO TECHNICAL DRAWINGS AND DOCUMENTATION.

Recommended replacement(s)