

# Product data sheet

Specifications

SQUARE D

Green Premium™



Circuit breaker, PowerPacT J, 200A, 3 pole, 600VAC, 18kA, lugs, thermal magnetic, 80%, shunt

JGL36200SA

## Main

Range	PowerPact
Product name	PowerPact J
Product or component type	Circuit breaker
Device application	Distribution

## Complementary

[In] rated current	200 A
Number of Poles	3P
Control type	Toggle
Breaking capacity code	G
Breaking capacity	65 kA 240 V AC 50/60 Hz UL 489 35 kA 480 V AC 50/60 Hz UL 489 18 kA 600 V AC 50/60 Hz UL 489 20 kA 250 V DC UL 489 20 kA 500 V DC UL 489
[Ue] rated operational voltage	600 V AC 50/60 Hz IEC 60947-3
Network frequency	50/60 Hz
[Ics] rated service breaking capacity	65 kA 220/240 V AC 50/60 Hz IEC 60947-2 35 kA 380/440/415 V AC 50/60 Hz IEC 60947-2 18 kA 500/525 V AC 50/60 Hz IEC 60947-2 20 kA 250 V DC IEC 60947-2 20 kA 500 V DC IEC 60947-2
[Uimp] rated impulse withstand voltage	8 kV IEC 60947-2
Trip unit technology	Thermal-magnetic
Magnetic tripping current	2000 A
Magnetic hold current	1000 A
Continuous current rating	80 %
[Ui] rated insulation voltage	750 V IEC 60947-2
Protection type	Overload protection Short-circuit protection
Accessory / separate part type	Shunt trip 110...130 V AC compartment
Suitability for isolation	Yes IEC 60947-2
Utilisation category	Category A

<b>AWG gauge</b>	AWG 3/0...350 kcmil aluminum/copper terminals
<b>Local signalling</b>	Switched off (OFF) 1 trip indicator green)
<b>Mounting mode</b>	Unit mount lug)
<b>Mounting support</b>	Lug
<b>Electrical connection</b>	Lugs line Lugs load
<b>Terminal identifier</b>	AL250JD
<b>Long time pick-up adjustment range</b>	0.25...1 x In
<b>Tightening torque</b>	221.27 lbf.in (25 N.m) 0.15...0.29 in <sup>2</sup> (95...185 mm <sup>2</sup> ) AWG 3/0...350 kcmil)
<b>Number of slots</b>	2 auxiliary switch OF plug-in) 1 alarm switch SD plug-in) 1 overcurrent trip switch SDE plug-in) 1 voltage release MN or MX plug-in)
<b>Power wire stripping length</b>	0.98 in (25 mm)
<b>Height</b>	7.52 in (191 mm)
<b>Width</b>	4.09 in (104 mm)
<b>Depth</b>	3.39 in (86 mm)
<b>Net weight</b>	5.29 lb(US) (2.4 kg)
<b>Communication interface</b>	Modbus Ethernet
<b>Circuit breaker application</b>	HACR rated

## Environment

<b>Quality labels</b>	CE
<b>Standards</b>	UL CSA NEMA NOM-003-SCFI-2000 IEC 60947-2
<b>Product certifications</b>	UL CSA NOM
<b>IP degree of protection</b>	Front cover IP40
<b>Pollution degree</b>	3 IEC 60947-1
<b>Ambient air temperature for operation</b>	28...158 °F (-2...70 °C)
<b>Ambient air temperature for storage</b>	-58...185 °F (-50...85 °C)
<b>Operating altitude</b>	< 2000 m without derating 5000 m with derating

## Packing Units

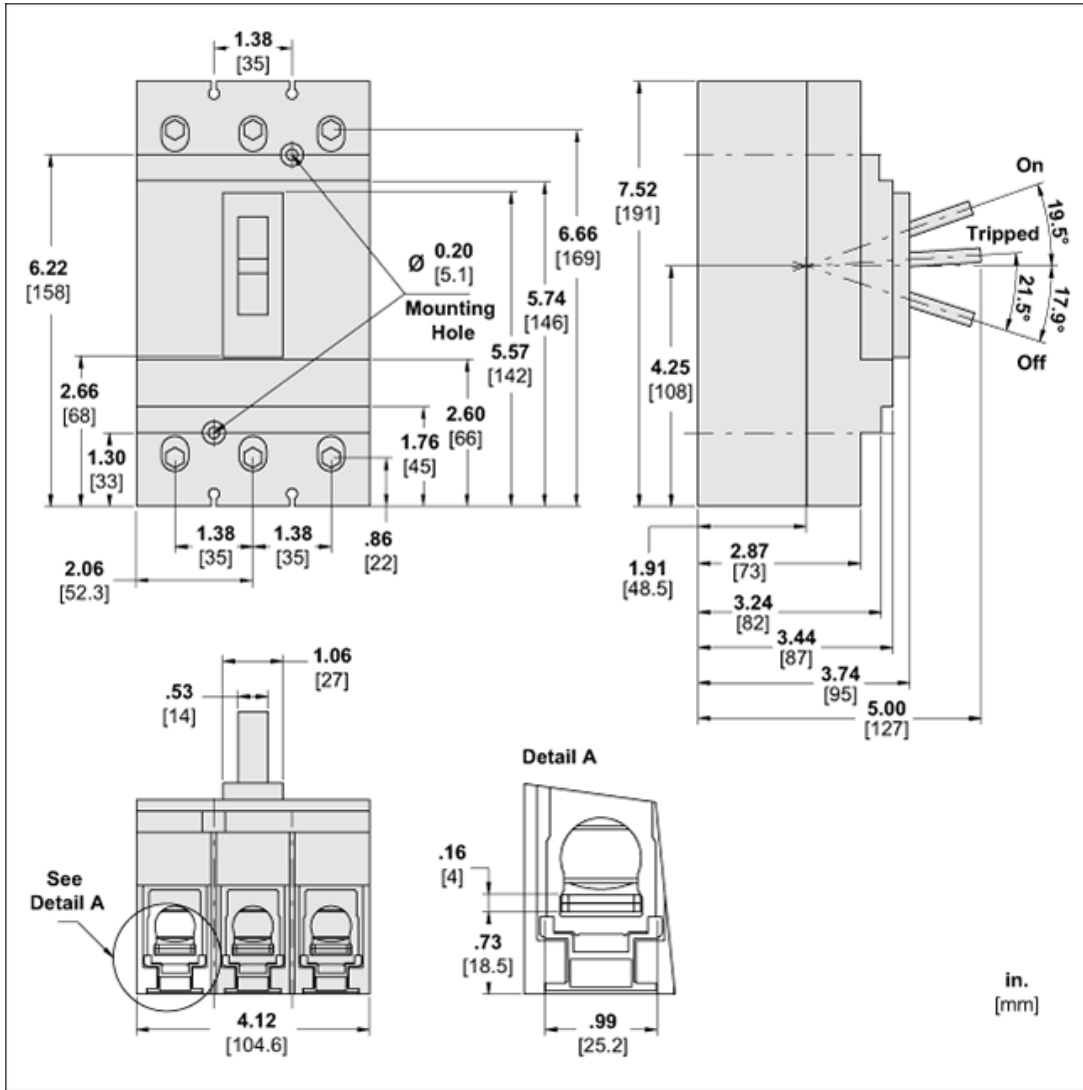
<b>Unit Type of Package 1</b>	PCE
<b>Number of Units in Package 1</b>	1
<b>Package 1 Height</b>	5.13 in (13.018 cm)
<b>Package 1 Width</b>	7.25 in (18.415 cm)
<b>Package 1 Length</b>	8.44 in (21.433 cm)
<b>Package 1 Weight</b>	5.00 lb(US) (2.268 kg)

## Offer Sustainability

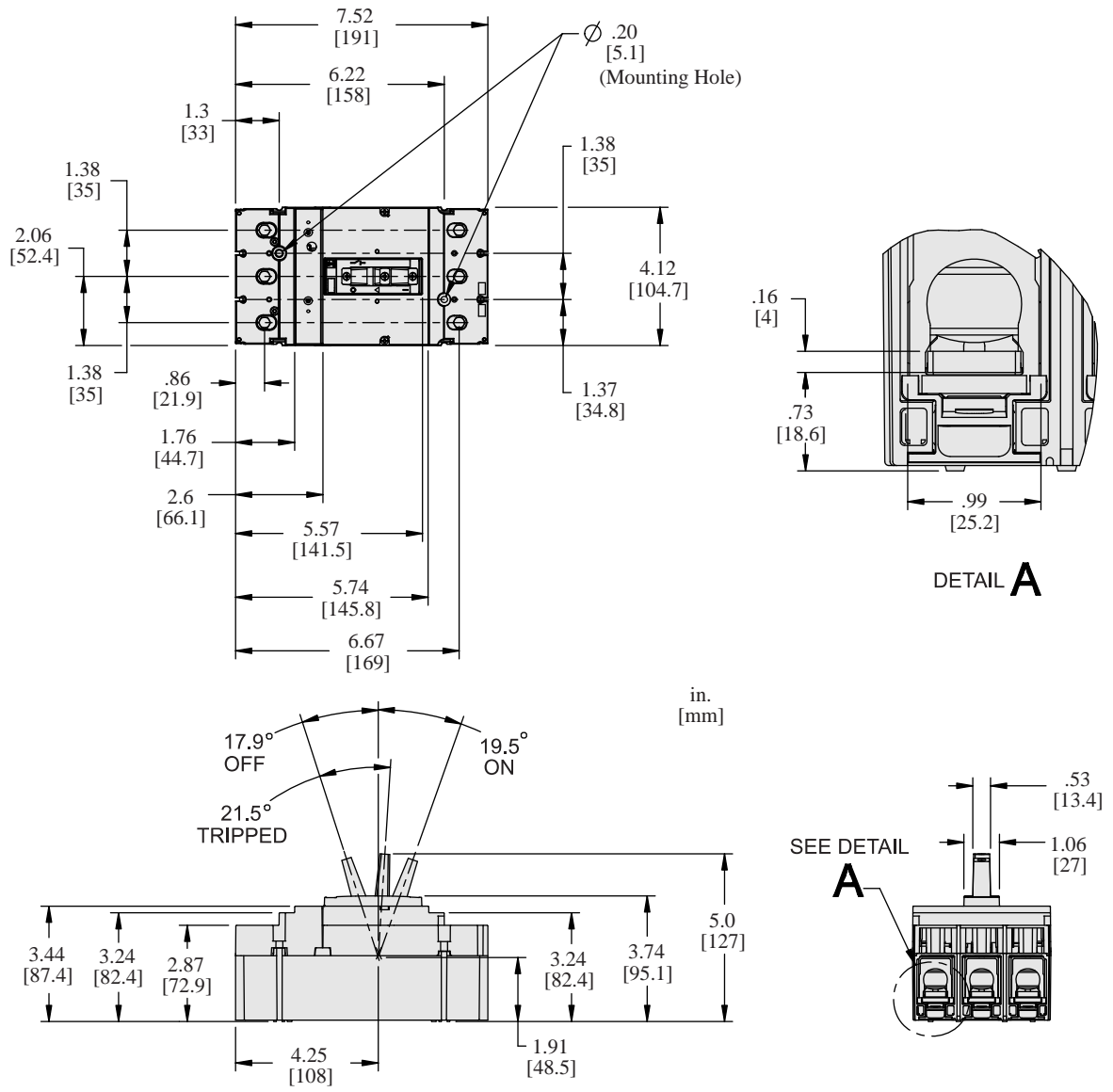
<b>Sustainable offer status</b>	Green Premium product
---------------------------------	-----------------------

<b>REACH Regulation</b>	<a href="#">REACH Declaration</a>
<b>EU RoHS Directive</b>	Compliant <a href="#">EU RoHS Declaration</a>
<b>Mercury free</b>	Yes
<b>China RoHS Regulation</b>	<a href="#">China RoHS declaration</a> Product out of China RoHS scope. Substance declaration for your information
<b>RoHS exemption information</b>	Yes
<b>Environmental Disclosure</b>	<a href="#">Product Environmental Profile</a>
<b>Circularity Profile</b>	<a href="#">End of Life Information</a>
<b>PVC free</b>	Yes

**Approximate Dimensions**



**Dimensions**



ALL DIMENSIONS ARE APPROXIMATE.  
 ALSO REFER TO TECHNICAL DRAWINGS AND DOCUMENTATION.

**Recommended replacement(s)**