

# Product data sheet

Specifications

SQUARE D

Green Premium™



Circuit breaker, PowerPacT J, 250A, 3 pole, 600VAC, 18kA, I-Line, thermal magnetic, 80%, ABC

JGA36250

## Main

|                           |                         |
|---------------------------|-------------------------|
| Range                     | PowerPact               |
| Product name              | PowerPact J             |
| Product or component type | Motor Circuit Protector |
| Device application        | Distribution            |

## Complementary

|   |   |
|---|---|
| [In] rated current                          | 250 A   |
| Number of Poles                             | 3P  |
| Control type                                | Toggle  |
| Breaking capacity code                      | G   |
| Breaking capacity                           | 65 kA 240 V AC 50/60 Hz UL 489<br>35 kA 480 V AC 50/60 Hz UL 489<br>18 kA 600 V AC 50/60 Hz UL 489<br>20 kA 250 V DC UL 489<br>20 kA 500 V DC UL 489  |
| [Ue] rated operational voltage              | 600 V AC 50/60 Hz IEC 60947-3   |
| Network frequency                           | 50/60 Hz  |
| [Ics] rated service breaking capacity       | 65 kA 220/240 V AC 50/60 Hz IEC 60947-2<br>35 kA 380/440/415 V AC 50/60 Hz IEC 60947-2<br>18 kA 500/525 V AC 50/60 Hz IEC 60947-2<br>20 kA 250 V DC IEC 60947-2<br>20 kA 500 V DC IEC 60947-2 |
| [Uimp] rated impulse withstand voltage      | 8 kV IEC 60947-2  |
| Trip unit technology                        | Thermal-magnetic  |
| [Ith] conventional free air thermal current | 114...217 A   |
| Magnetic tripping current                   | 2500 A  |
| Magnetic hold current                       | 1250 A  |
| Continuous current rating                   | 80 %  |
| [Ui] rated insulation voltage               | 750 V IEC 60947-2   |
| Protection type                             | Overload protection<br>Short-circuit protection   |
| Suitability for isolation                   | Yes IEC 60947-2   |
| Utilisation category                        | Category A  |

|   |   |
|---|---|
| <b>AWG gauge</b>                          | AWG 3/0...350 kcmil aluminum/copper terminals   |
| <b>Local signalling</b>                   | Switched off (OFF) 1 trip indicator green)  |
| <b>Mounting mode</b>                      | I-Line bracket)   |
| <b>Mounting support</b>                   | Bracket   |
| <b>Electrical connection</b>              | I-Line connection line<br>Lugs load   |
| <b>Terminal identifier</b>                | AL250JD   |
| <b>Long time pick-up adjustment range</b> | 0.25...1 x In   |
| <b>Mounting height</b>                    | 4.5 in (114.30 mm)  |
| <b>Tightening torque</b>                  | 221.27 lbf.in (25 N.m) 0.15...0.29 in <sup>2</sup> (95...185 mm <sup>2</sup> ) AWG 3/0...350 kcmil)   |
| <b>Number of slots</b>                    | 2 auxiliary switch OF plug-in)<br>1 alarm switch SD plug-in)<br>1 overcurrent trip switch SDE plug-in)<br>1 voltage release MN or MX plug-in) |
| <b>Power wire stripping length</b>        | 0.98 in (25 mm)   |
| <b>Height</b>                             | 7.52 in (191 mm)  |
| <b>Width</b>                              | 4.09 in (104 mm)  |
| <b>Depth</b>                              | 3.39 in (86 mm)   |
| <b>Net weight</b>                         | 5.29 lb(US) (2.4 kg)  |
| <b>Phase connection</b>                   | ABC   |
| <b>Communication interface</b>            | Modbus<br>Ethernet  |

## Environment

|  |   |
|--|---|
| <b>Quality labels</b>                        | CE  |
| <b>Standards</b>                             | UL<br>CSA<br>NEMA<br>NOM-003-SCFI-2000<br>IEC 60947-2 |
| <b>Product certifications</b>                | UL<br>CSA<br>NOM                                      |
| <b>IP degree of protection</b>               | Front cover IP40                                      |
| <b>Pollution degree</b>                      | 3 IEC 60947-1   |
| <b>Ambient air temperature for operation</b> | 28...158 °F (-2...70 °C)                              |
| <b>Ambient air temperature for storage</b>   | -58...185 °F (-50...85 °C)                            |
| <b>Operating altitude</b>                    | < 2000 m without derating<br>5000 m with derating     |

## Packing Units

|                                     |                        |
|-------------------------------------|------------------------|
| <b>Unit Type of Package 1</b>       | PCE                    |
| <b>Number of Units in Package 1</b> | 1                      |
| <b>Package 1 Height</b>             | 6.80 in (17.272 cm)    |
| <b>Package 1 Width</b>              | 8.50 in (21.59 cm)     |
| <b>Package 1 Length</b>             | 15.00 in (38.1 cm)     |
| <b>Package 1 Weight</b>             | 6.60 lb(US) (2.994 kg) |

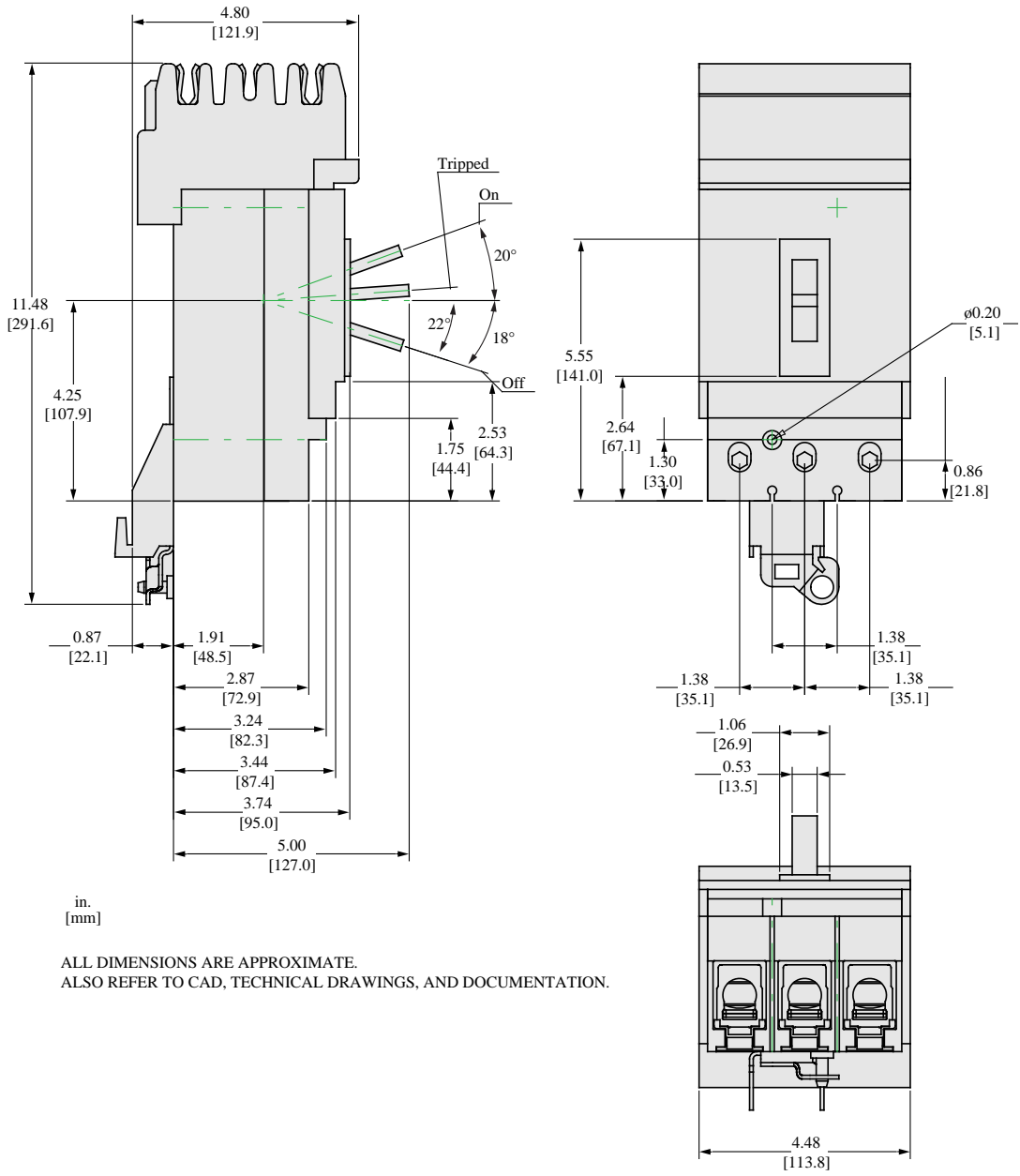
## Offer Sustainability

|                            |   |
|----------------------------|---|
| Sustainable offer status   | Green Premium product   |
| REACH Regulation           | <a href="#">REACH Declaration</a>   |
| EU RoHS Directive          | Compliant<br><a href="#">EU RoHS Declaration</a>  |
| Mercury free               | Yes   |
| China RoHS Regulation      | <a href="#">China RoHS declaration</a><br>Product out of China RoHS scope. Substance declaration for your information       |
| RoHS exemption information | Yes   |
| Environmental Disclosure   | <a href="#">Product Environmental Profile</a>   |
| Circularity Profile        | <a href="#">End of Life Information</a>   |
| WEEE                       | The product must be disposed on European Union markets following specific waste collection and never end up in rubbish bins |
| PVC free                   | Yes   |

## Contractual warranty

|          |           |
|----------|-----------|
| Warranty | 18 months |
|----------|-----------|

Dimensions



in.  
[mm]

ALL DIMENSIONS ARE APPROXIMATE.  
 ALSO REFER TO CAD, TECHNICAL DRAWINGS, AND DOCUMENTATION.

Recommended replacement(s)