

# SIEMENS

**Circuit Breaker, frame only**  
**Interruptor automatico, caja base**  
**Disjoncteur de base**

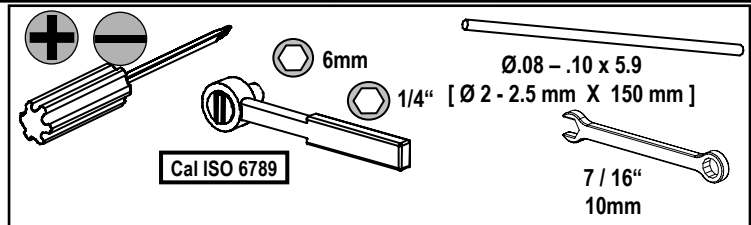
|       | U.S. Cat. No. | Euro Order No.          |
|-------|---------------|-------------------------|
| Item: | NN _ F120     | 3VL7012 - _ RA _ - 0AA0 |
|       | HN _ F120     | 3VL7012 - _ RA _ - 0AA0 |
|       | LN _ F120     | 3VL7012 - _ RA _ - 0AA0 |
|       | NP _ F160     | 3VL8016 - _ RA _ - 0AA0 |
|       | HP _ F160     | 3VL8016 - _ RA _ - 0AA0 |
|       | LP _ F160     | 3VL8016 - _ RA _ - 0AA0 |

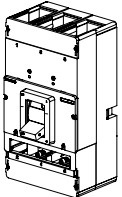
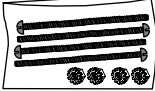
**For Use With Frame NG, PG**  
**Para Usar Con Caja Base NG, PG**

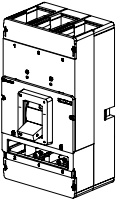
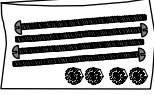
Installation Instructions / Instructivo de Instalación

|  |  <b>Danger</b>   |  <b>Peligro</b>  |  <b>Danger!</b>   |
|---|---|---|--|
|   | <b>Hazardous Voltage</b><br>Will cause death or serious injury  | <b>Tensión peligrosa.</b><br>Puede causar la muerte o lesiones graves.  | <b>Tension dangereuse.</b><br>Danger de mort ou risque de blessures graves.  |
|  | Turn off and lock out all power supplying this device before working on this device.<br>Replace all covers before power supplying this device is turned on. | Desenergice totalmente antes de instalar o darle servicio.<br>Reemplace todas las barreras y cubiertas antes de energizar el interruptor. | Couper l'alimentation de l'appareil et barrer avant de travailler.<br>Remplacez tous les couverts avant que l'alimentation de pouvoir soit alimenté. |

Use only with Siemens certified Components.  
 Utilizar únicamente con componentes certificados de Siemens.  
 A utiliser uniquement avec les composants certifiés Siemens.



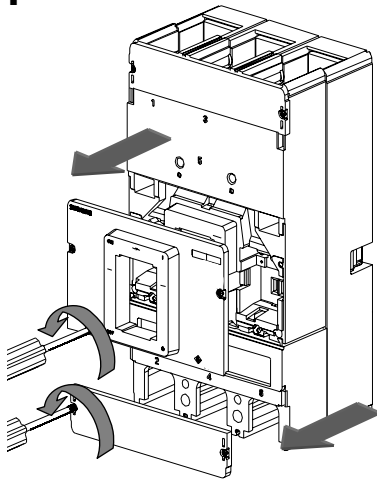
|   |            |                        |
|---|------------|------------------------|
|   | NNG _ F120 | 3VL7012 - 1RA _ - 0AA0 |
|   | HNG _ F120 | 3VL7012 - 2RA _ - 0AA0 |
|   | LNG _ F120 | 3VL7012 - 3RA _ - 0AA0 |
|  | NNH _ F120 | 3VL7012 - 5RA _ - 0AA0 |
|   | HNH _ F120 | 3VL7012 - 6RA _ - 0AA0 |
|   | LNH _ F120 | 3VL7012 - 7RA _ - 0AA0 |

|   |            |                        |
|---|------------|------------------------|
|   | NPG _ F160 | 3VL8016 - 1RA _ - 0AA0 |
|   | HPG _ F160 | 3VL8016 - 2RA _ - 0AA0 |
|   | LPG _ F160 | 3VL8016 - 3RA _ - 0AA0 |
|  | NPH _ F160 | 3VL8016 - 5RA _ - 0AA0 |
|   | HPH _ F160 | 3VL8016 - 6RA _ - 0AA0 |
|   | LPH _ F160 | 3VL8016 - 7RA _ - 0AA0 |

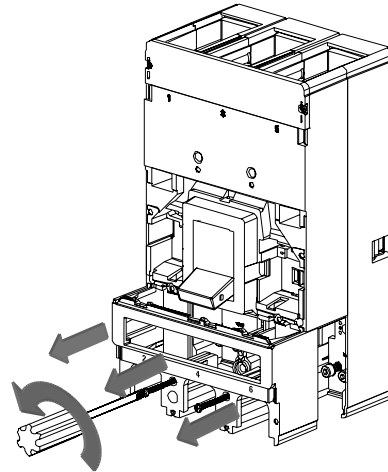
| PG FRAME ONLY                      |                      |                |   |   |
|------------------------------------|----------------------|----------------|---|---|
| PG FRAME - INTERCHANGABLE BREAKERS |                      |                |   |   |
| Catalog Number                     | MLFB                 | Breaker Rating | Must use one of the following Accessories:<br>* For Cable Connection  | Notes:                                    |
| NPG _ F160                         | 3VL8016-1RA _ - 0AA0 | Normal         | SSBP  |   |
| HPG _ F160                         | 3VL8016-2RA _ - 0AA0 |                | Cat No.   | Euro MLFB No.                             |
| LPG _ F160                         | 3VL8016-3RA _ - 0AA0 |                | * MBPG1600<br>* MBPG1601<br>* LMAP1600  | 3VL9800- 4TU31<br>3VL9800- 4TV31<br>_____ |
| NPH _ F160                         | 3VL8016-5RA _ - 0AA0 | 100%           | SSBPH   |   |
| HPH _ F160                         | 3VL8016-6RA _ - 0AA0 |                | Suitable for continuous operation at 100% of rated only in a ventilated enclosure or cubicle space 90 by 32 by 28 in. with ventilated openings 64.5 square inches at the top and bottom, using the SSBPH Strap Kit Adapter. Openings should be located at least 8 inches from the end of the breaker. |   |
| LPH _ F160                         | 3VL8016-7RA _ - 0AA0 |                |   |   |



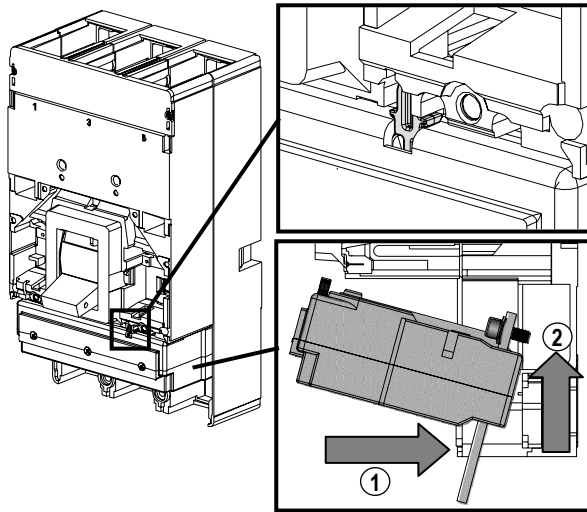
1



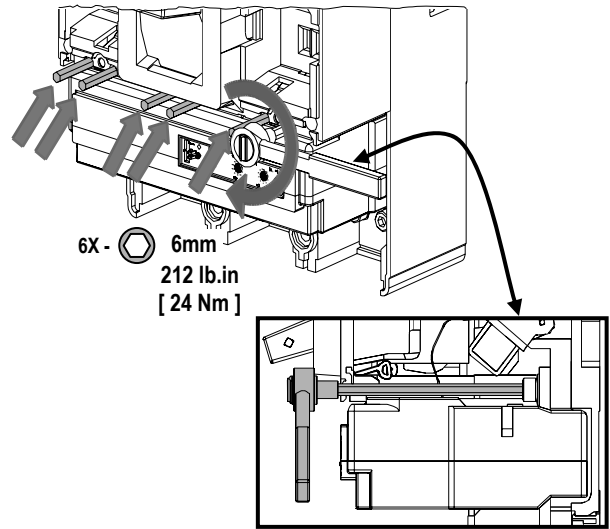
2



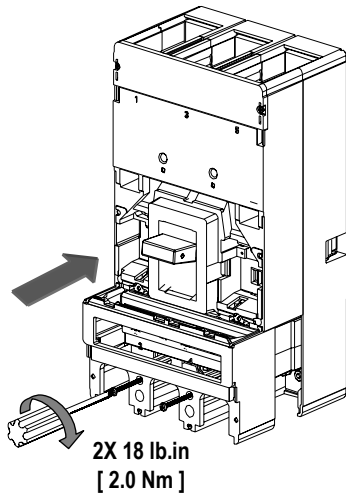
3



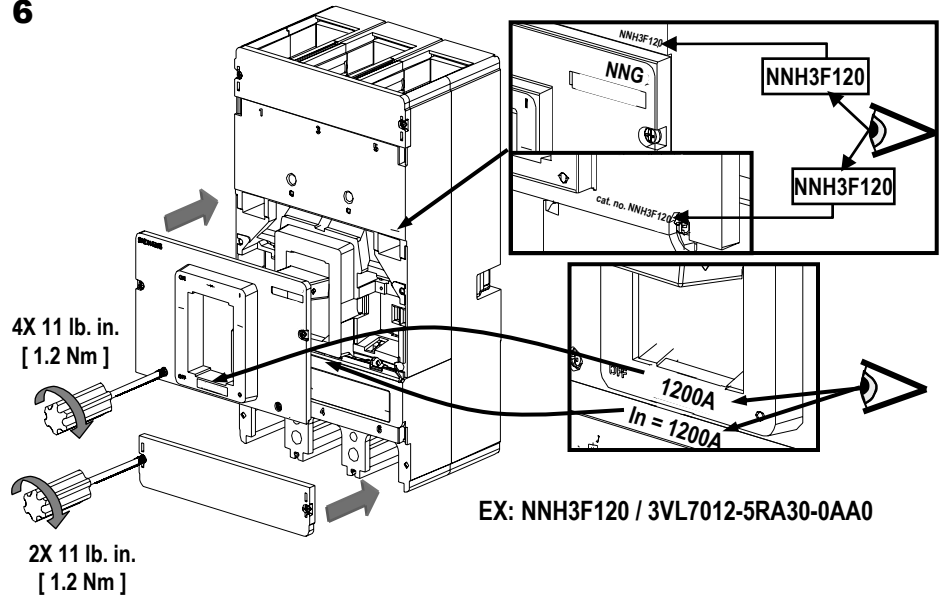
4



5



6





### **Danger**

**Hazardous Voltage.**  
**Will cause death or serious injury.**

Turn off and lock out all power supplying this device before working on this device.  
Replace all covers before power supplying this device is turned on.

### **Peligro**

**Tensión peligrosa.**  
**Puede causar la muerte o lesiones graves.**

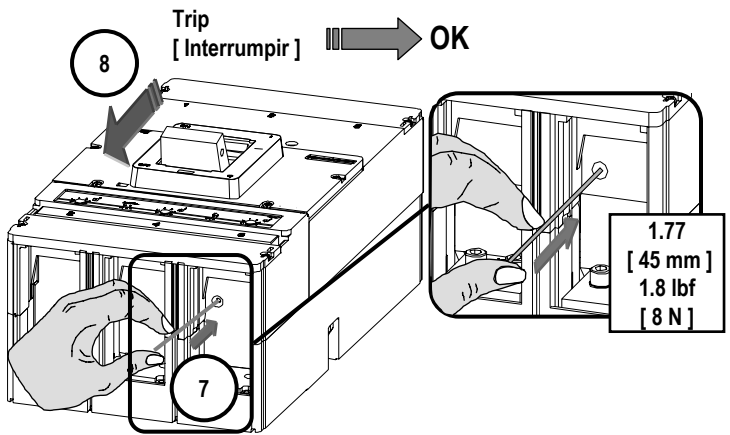
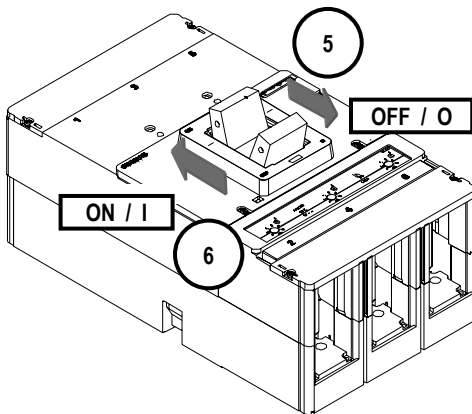
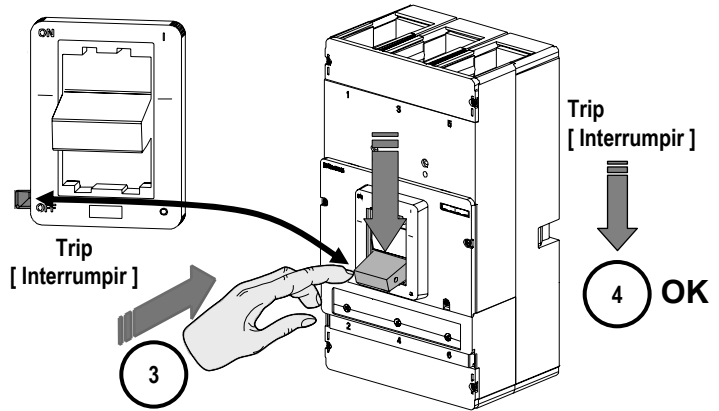
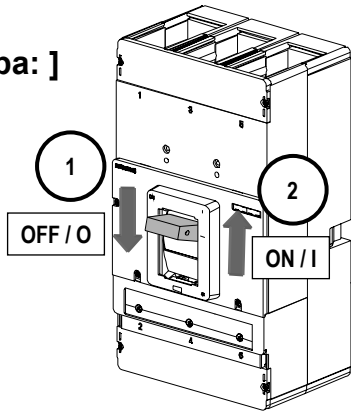
Desenergice totalmente antes de instalar o darle servicio.  
Reemplace todas las barreras y cubiertas antes de energizar el interruptor.

### **Danger**

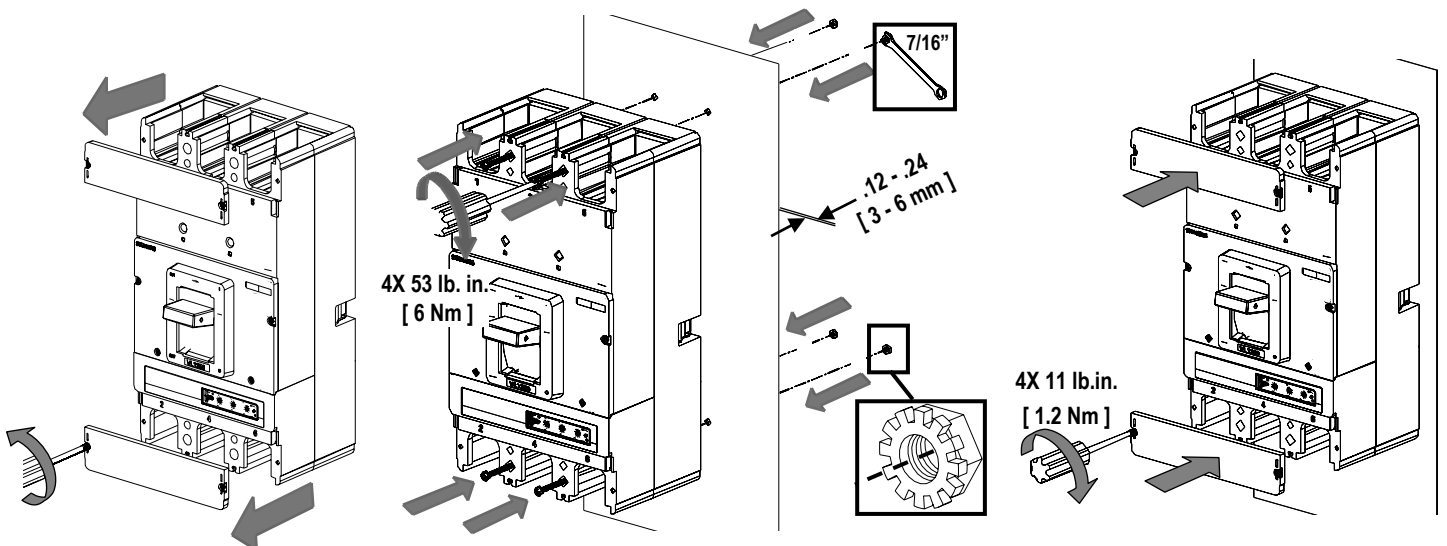
**Tension dangereuse.**  
**Danger de mort ou risque de blessures graves.**

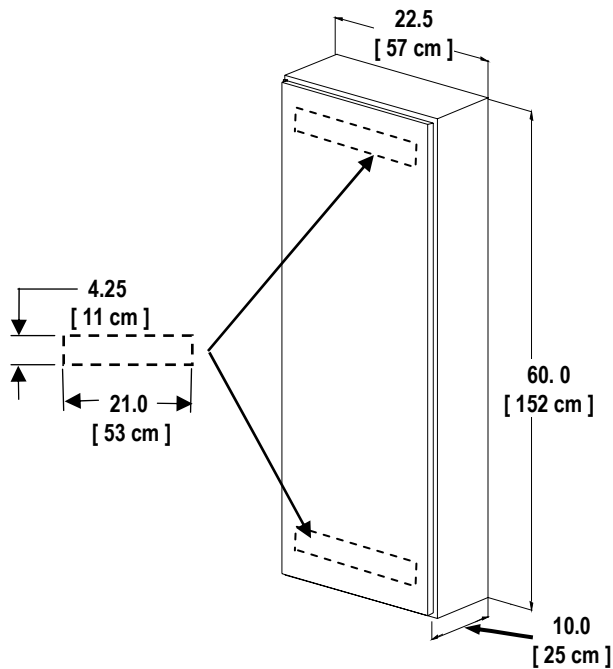
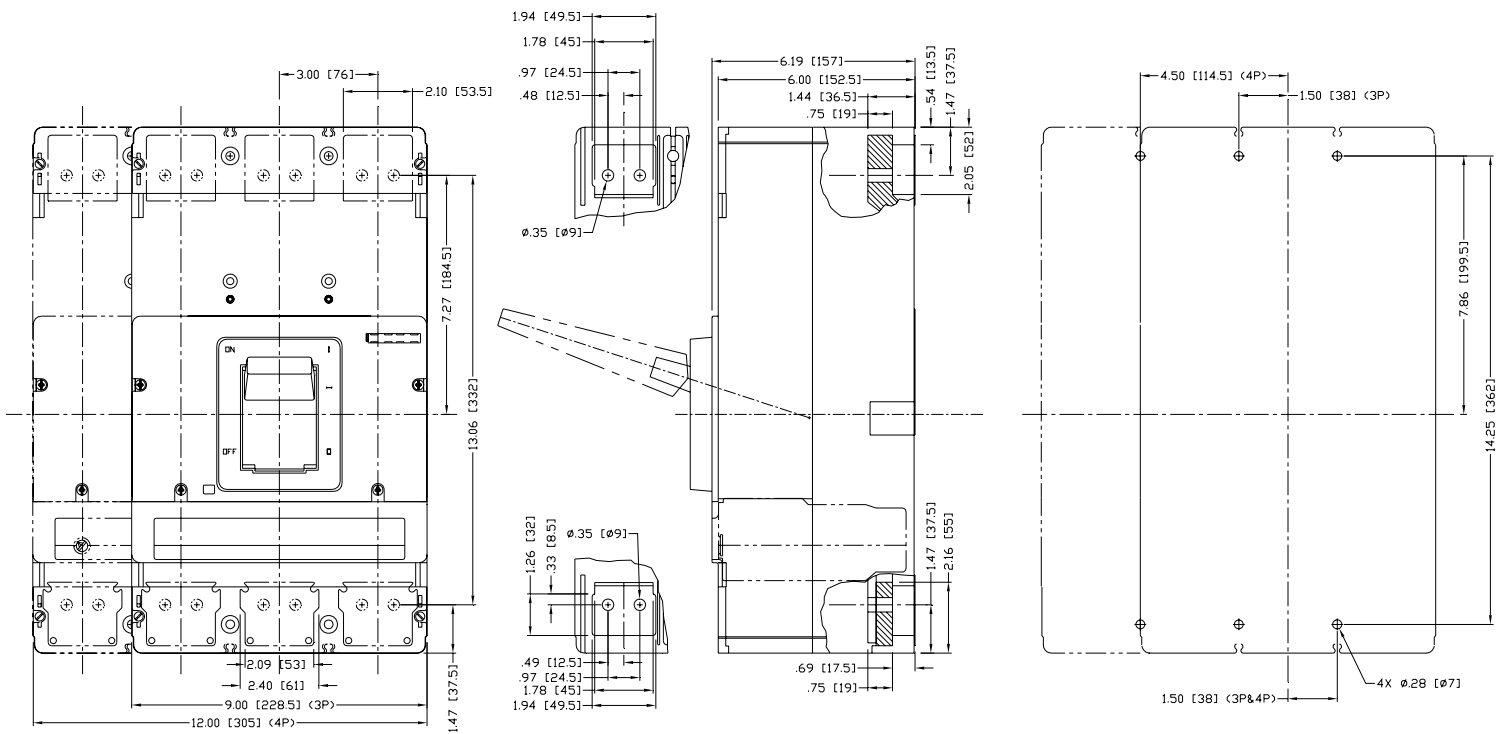
Couper l'alimentation de l'appareil et barrer avant de travailler.  
Remplacez tous les couverts avant que l'approvisionnement de pouvoir soit alimenté.

### **Test:** **[ Prueba: ]**



### **8**





Suitable for continuous operation at 100% of rating only if used in a ventilated enclosure or cubicle space 60 by 22.5 by 10 in. Ventilation openings are 4.25 by 21 in. at top and bottom of enclosure.

Apto para operar a 100% Intensidad continua si es usado solamente en cajas cerradas o cubiculos ventilados de 152 por 57 por 25 cm. Los orificios de ventilación son de 11 por 53 cm. en la parte de abajo y de arriba de las cajas cerradas.

**Not Vented**  
**[ No Ventilados ]**

|          |                          |
|----------|--------------------------|
| NNG_F120 | 3VL7012 - 1RA ___ - 0AA0 |
| HNG_F120 | 3VL7012 - 2RA ___ - 0AA0 |
| LNG_F120 | 3VL7012 - 3RA ___ - 0AA0 |
| NNX_F120 | 3VL7012 - 1 ___ - 0AA0   |
| HNX_F120 | 3VL7012 - 2 ___ - 0AA0   |
| LNX_F120 | 3VL7012 - 3 ___ - 0AA0   |

**Vented**  
**[ Ventilados ]**

|          |                          |
|----------|--------------------------|
| NNH_F120 | 3VL7012 - 5RA ___ - 0AA0 |
| HNH_F120 | 3VL7012 - 6RA ___ - 0AA0 |
| LNH_F120 | 3VL7012 - 7RA ___ - 0AA0 |
| NNY_F120 | 3VL7012 _1 ___ - 0AA0    |
| HNY_F120 | 3VL7012 _2 ___ - 0AA0    |
| LNy_F120 | 3VL7012 _3 ___ - 0AA0    |



### **Danger**

**Hazardous Voltage.**  
**Will cause death or serious injury.**

Turn off and lock out all power supplying this device before working on this device.  
Replace all covers before power supplying this device is turned on.



### **Peligro**

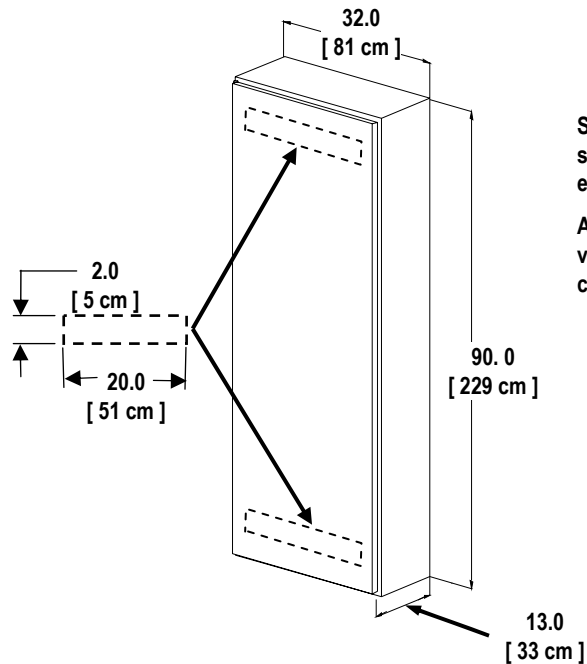
**Tensión peligrosa.**  
**Puede causar la muerte o lesiones graves.**

Desenergice totalmente antes de instalar o darle servicio.  
Reemplace todas las barreras y cubiertas antes de energizar el interruptor.

### **Danger**

**Tension dangereuse.**  
**Danger de mort ou risque de blessures graves.**

Couper l'alimentation de l'appareil et barrer avant de travailler.  
Remplacez tous les couverts avant que l'alimentation de pouvoir soit alimenté.



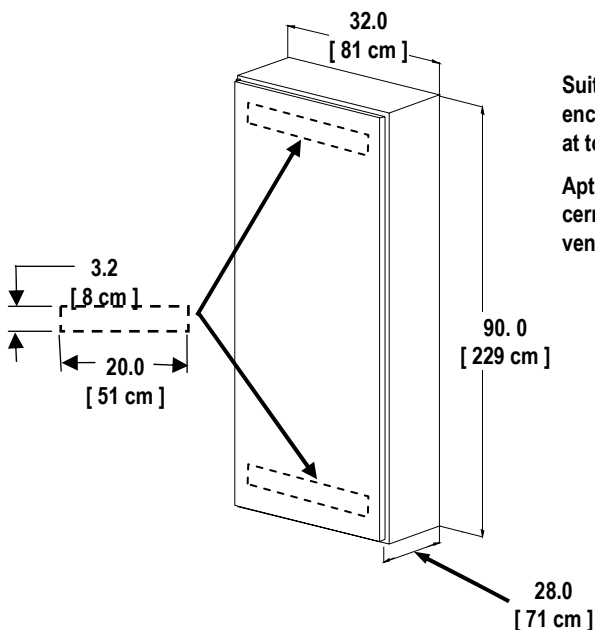
Suitable for continuous operation if used in a ventilated enclosure or cubicle space 90 by 32 by 13 in. Ventilation openings are 2.0 x 20.0 at top and bottom of enclosure.

Apto para operar continua si es usado solamente en cajas cerradas o cubículos ventilados de 229 por 81 por 33 cm. Los orificios de ventilación son de 5 por 51 cm. en la parte de abajo y de arriba de las cerradas

#### **Vented**

##### **[ Ventilados ]**

|            |                         |
|------------|-------------------------|
| NPG _ F160 | 3VL8016 - 1RA __ - 0AA0 |
| HPG _ F160 | 3VL8016 - 2RA __ - 0AA0 |
| LPG _ F160 | 3VL8016 - 3RA __ - 0AA0 |
| NPX _ F160 | 3VL8016 _ 1 ____ - 0AA0 |
| HPX _ F160 | 3VL8016 _ 2 ____ - 0AA0 |
| LPX _ F160 | 3VL8016 _ 3 ____ - 0AA0 |



Suitable for continuous operation at 100% of rating only if used in a ventilated enclosure or cubicle space 90 by 32 by 28 in. Ventilation openings are 3.2 x 20.0 at top and bottom of enclosure.

Apto para operar a 100% Intensidad continua si es usado solamente en cajas cerradas o cubículos ventilados de 229 por 81 por 71 cm. Los orificios de ventilación son de 8 por 51 cm. en la parte de abajo y de arriba de las cerradas

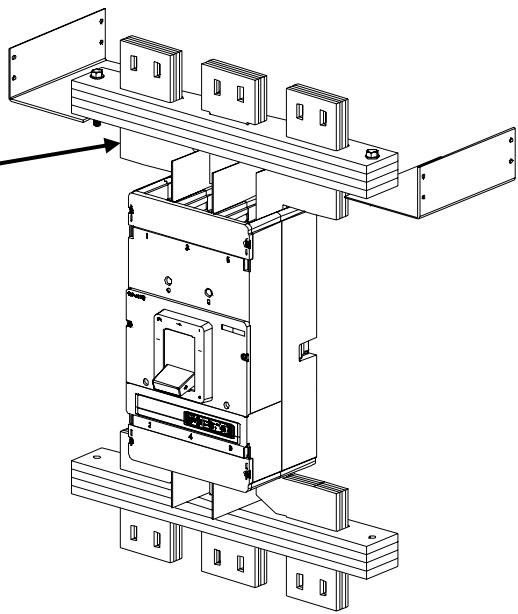
#### **Vented**

##### **[ Ventilados ]**

|            |                         |
|------------|-------------------------|
| NPH _ F160 | 3VL8016 - 5RA __ - 0AA0 |
| HPH _ F160 | 3VL8016 - 6RA __ - 0AA0 |
| LPH _ F160 | 3VL8016 - 7RA __ - 0AA0 |
| NPY _ F160 | 3VL8016 _ 1 ____ - 0AA0 |
| HPY _ F160 | 3VL8016 _ 2 ____ - 0AA0 |
| LPY _ F160 | 3VL8016 _ 3 ____ - 0AA0 |

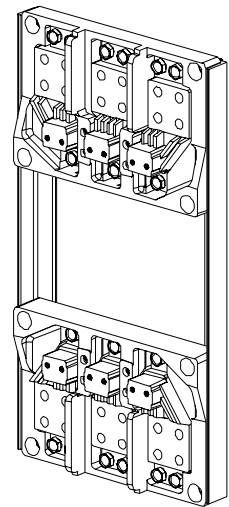
**Accessory**  
**[ Accesorio ]**

LMAP1600  
3VL9800-4EB01



**Accessory**  
**[ Accesorio ]**

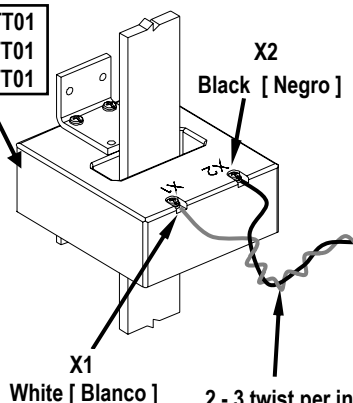
MBPG1600  
3VL9800-4TU31



**Accessory**  
**[ Accesorio ]**

**Neutral Sensor**  
**[ Sensor Neutral ]**

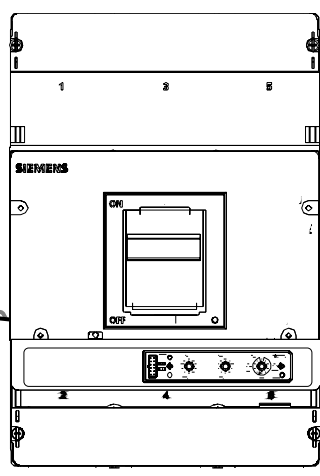
|         |               |
|---------|---------------|
| NGSN800 | 3VL9780-8TT01 |
| NGSP120 | 3VL9812-8TT01 |
| NGSP160 | 3VL9816-8TT01 |



X1  
White [ Blanco ]

X2  
Black [ Negro ]

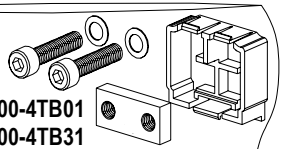
2 - 3 twist per inch  
[ trenza 2 - 3 por pulgada ]



**Accessory**  
**[ Accesorio ]**

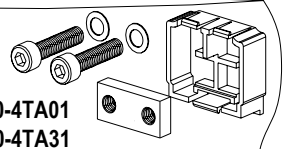
5/16 x 18 x 2

|            |               |
|------------|---------------|
| TNKP - 1X  | 3VL9800-4TB01 |
| TNKP3 - 3X | 3VL9800-4TB31 |
| TNKP4 - 4X | 3VL9800-4TB41 |



M8 x 1.25 x 50mm

|            |               |
|------------|---------------|
| TMKP - 1X  | 3VL9800-4TA01 |
| TMKP3 - 3X | 3VL9800-4TA31 |
| TMKP4 - 4X | 3VL9800-4TA41 |



**For Support in Europe refer to :**

Bestell-Nr. / Order No.: 3ZX1012-0VL22-0AA2

Internet: [www.siemens.de/lowvoltage/technical-assistance](http://www.siemens.de/lowvoltage/technical-assistance)

GWA 4NEB 178 6806-10 DS 03

**Technical Support:**

Toll Free: 1-800-964-4114

Internet: [www.sea.siemens.com](http://www.sea.siemens.com)