

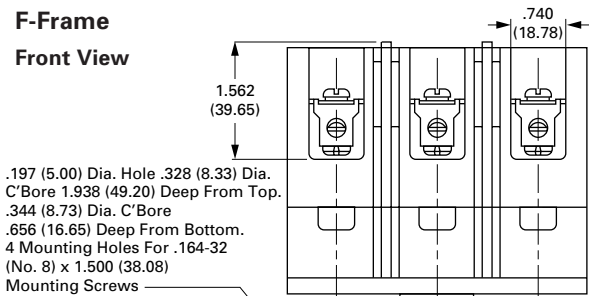
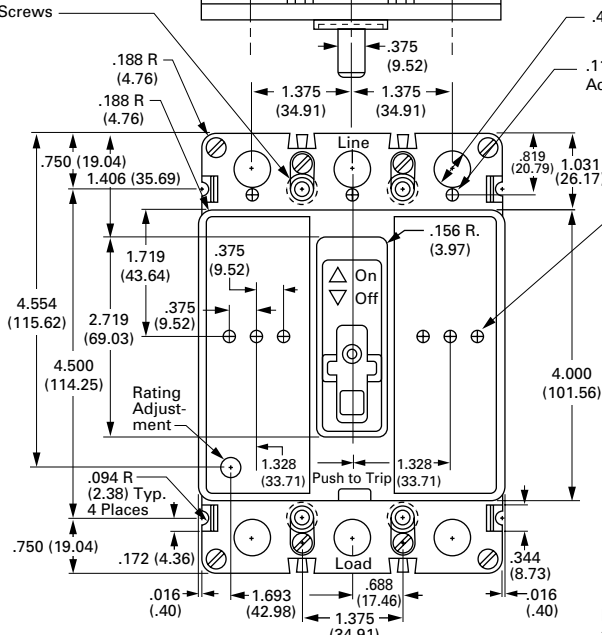
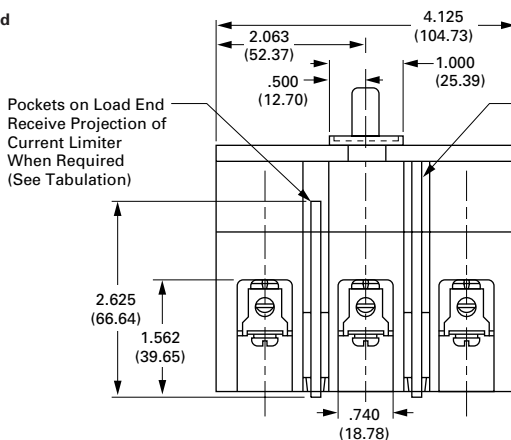
October 1997
Mailed to: E, D, C/29-100A

Series C[®] HMCP Motor Circuit Protectors 3-600 Amperes

Breaker Description	Page
F-Frame	1
J-Frame	3
K-Frame	5
L-Frame	7

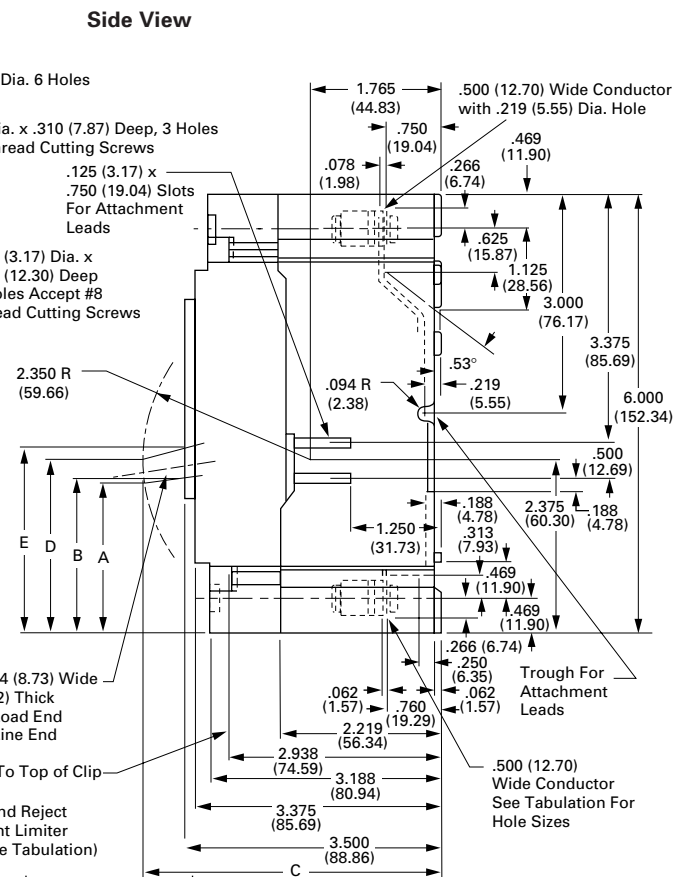
October 1997
 Mailed to: E, D, C/29-100A

Series C[®] HMCP Motor Circuit Protectors 3-600 Amperes

**F-Frame
Front View**

Line End

Load End


Pockets on Load End Receive Projection of Current Limiter When Required (See Tabulation)

Full Ribs on Load End Reject Projection of Current Limiter When Required (See Tabulation)

Side View


MCP Continuous Rating	Hole Size			Current Limiter Pockets
	.203 (5.15)	.234 (5.94)	.266 (6.75)	
3	X			N
5	X			N
7	X			N
10	X			Y
15	X			Y
25		X		N
30		X		N
50		X		Y
70		X		Y
100			X	N
150			X	Y

Breaker Status	Dimension				
	A	B	C	D	E
On	3.07 (77.94)	2.92 (74.13)	3.96 (100.54)	3.40 (86.32)	3.33 (84.54)
Tripped	2.65 (67.28)	2.57 (65.25)	4.06 (103.08)	2.99 (75.91)	2.98 (75.66)
Off	2.08 (52.81)	2.14 (54.33)	4.12 (104.60)	2.42 (61.44)	2.56 (64.99)
Reset	1.98 (50.27)	2.05 (52.04)	4.11 (104.35)	2.30 (58.39)	2.48 (62.96)

Note: For 2 Pole MCP, Current Carrying Parts Omitted From Center Pole

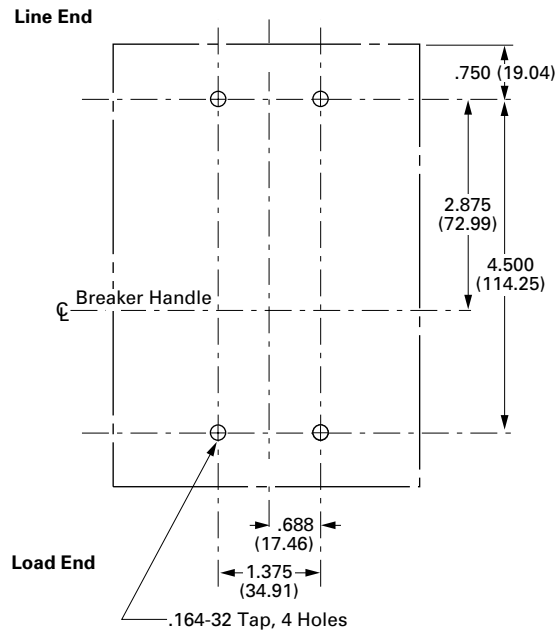
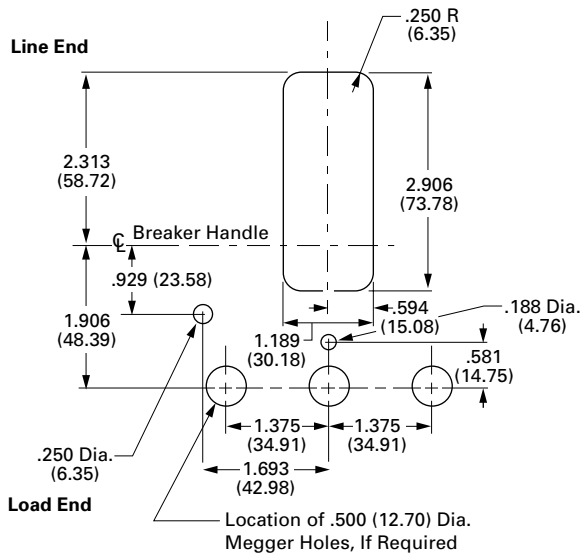


Series C HMCP Motor Circuit Protectors, 3-600 Amperes

F-Frame

Front Cover Cutout

Drilling Plans



Reproduced from drawing 1490D54

Dimensions in parentheses in millimeters

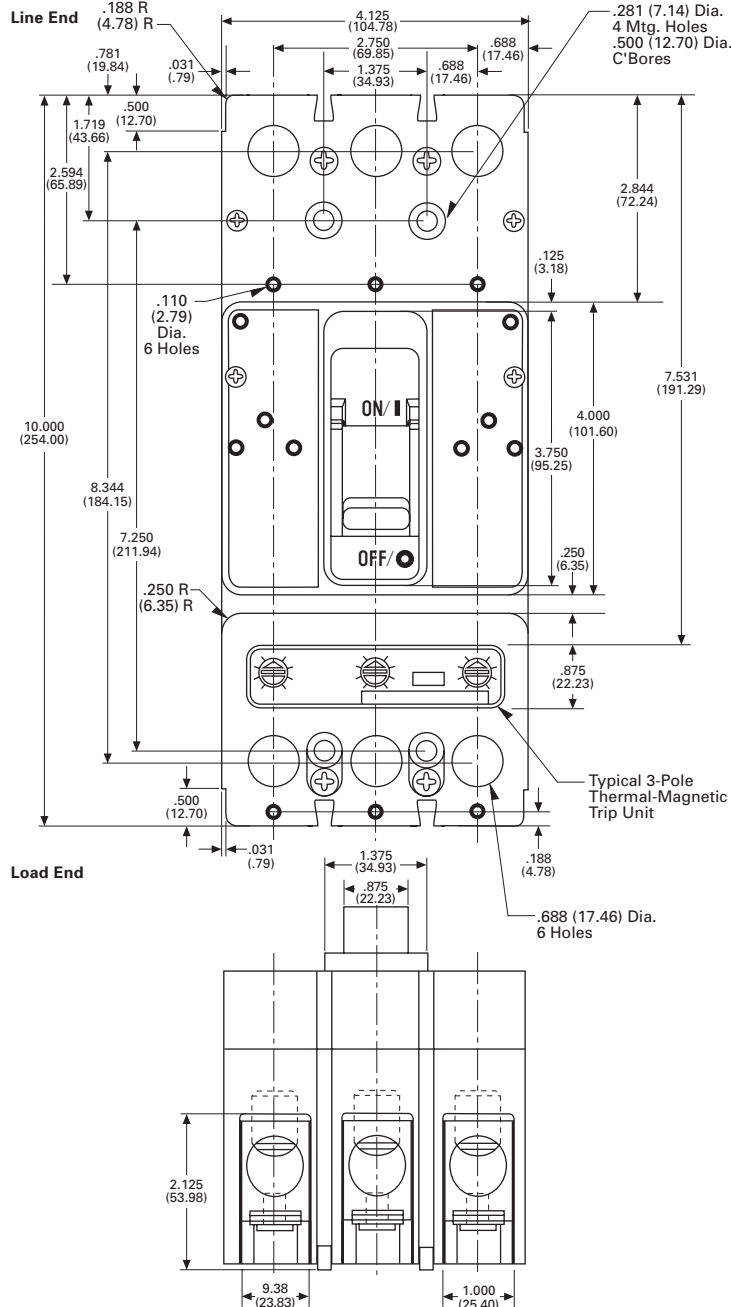
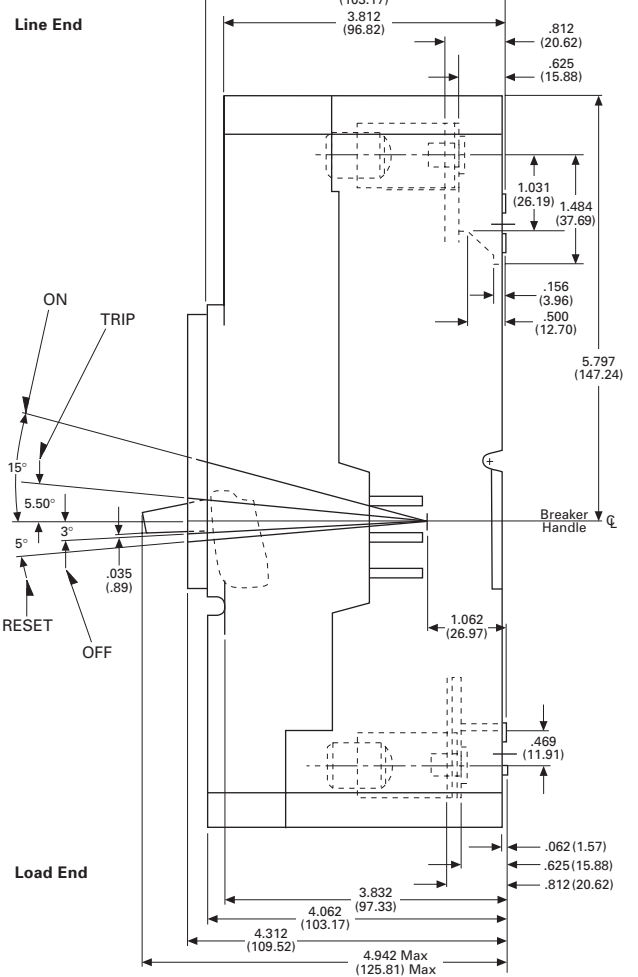
Cutler-Hammer

Westinghouse & Cutler-Hammer Products
Five Parkway Center
Pittsburgh, Pennsylvania, U.S.A. 15220



October 1997
 Mailed to: E, D, C/29-100A

Series C[®] HMCP Motor Circuit Protectors 3-600 Amperes

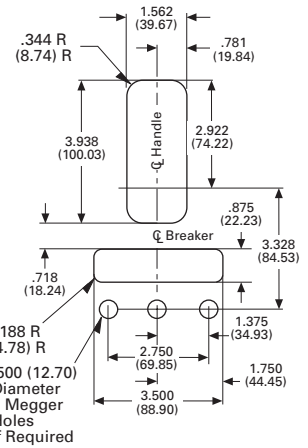
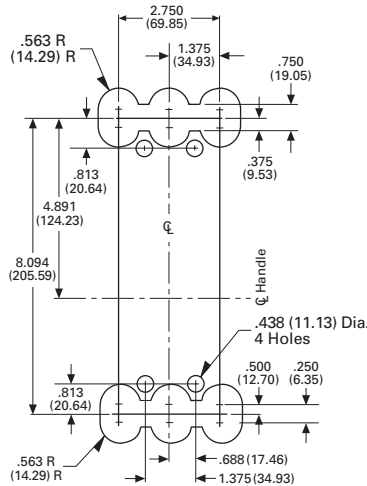
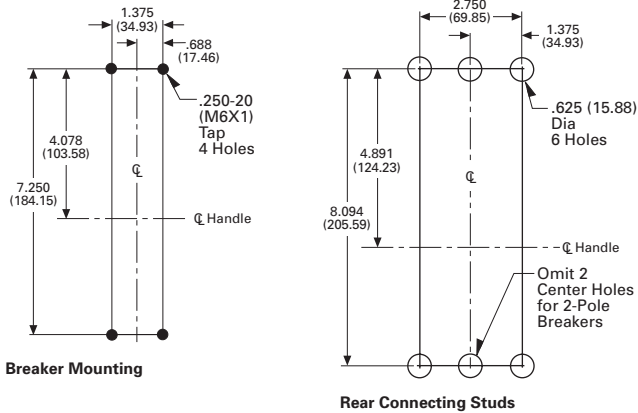
J-Frame
Front View

Side View




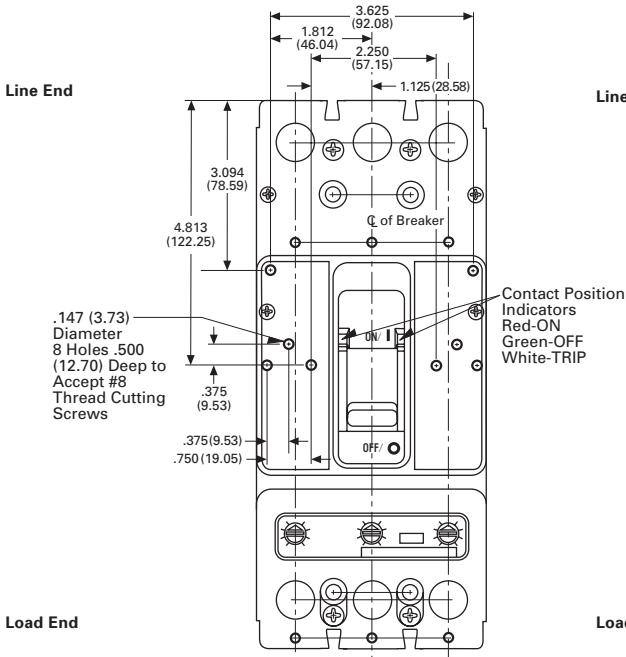
Series C HMCP Motor Circuit Protectors, 3-600 Amperes

J-Frame

Drilling Plans

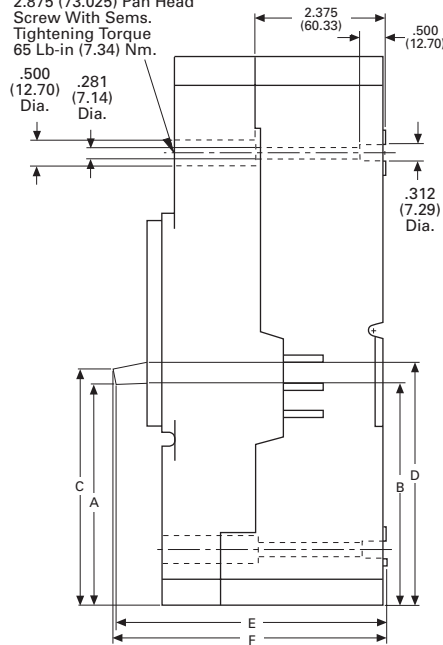


Breaker Shown in OFF Position



Drawout Support Blocks

Breaker Mounting Holes Use .250-20 (M6X1) X 2.875 (73.025) Pan Head Screw With Sems. Tightening Torque 65 Lb-in (7.34) Nm.



Front Cover Cutout

Reproduced from drawings 1491D65 and 1491D67

Breaker Status	Dimension						Hdl. Oper. Force
	A	B	C	D	E	F	
On	5.24 (132.10)	5.12 (130.05)	5.54 (140.72)	5.49 (139.45)	4.77 (121.56)	4.72 (119.89)	32 Lb. (142.3 Nm)
Tripped	4.79 (121.67)	4.71 (119.63)	5.10 (129.54)	5.10 (129.54)	4.87 (123.70)	4.85 (123.19)	
Off	4.02 (102.11)	4.06 (103.12)	4.33 (109.82)	4.45 (113.03)	4.91 (124.71)	4.95 (125.73)	22 Lb. (97.9 Nm)
Reset	3.91 (99.31)	3.96 (100.58)	4.21 (106.93)	4.36 (110.74)	4.90 (124.46)	4.95 (125.73)	38 Lb. (169.0 Nm)

Dimensions in parentheses in millimeters

Cutler-Hammer

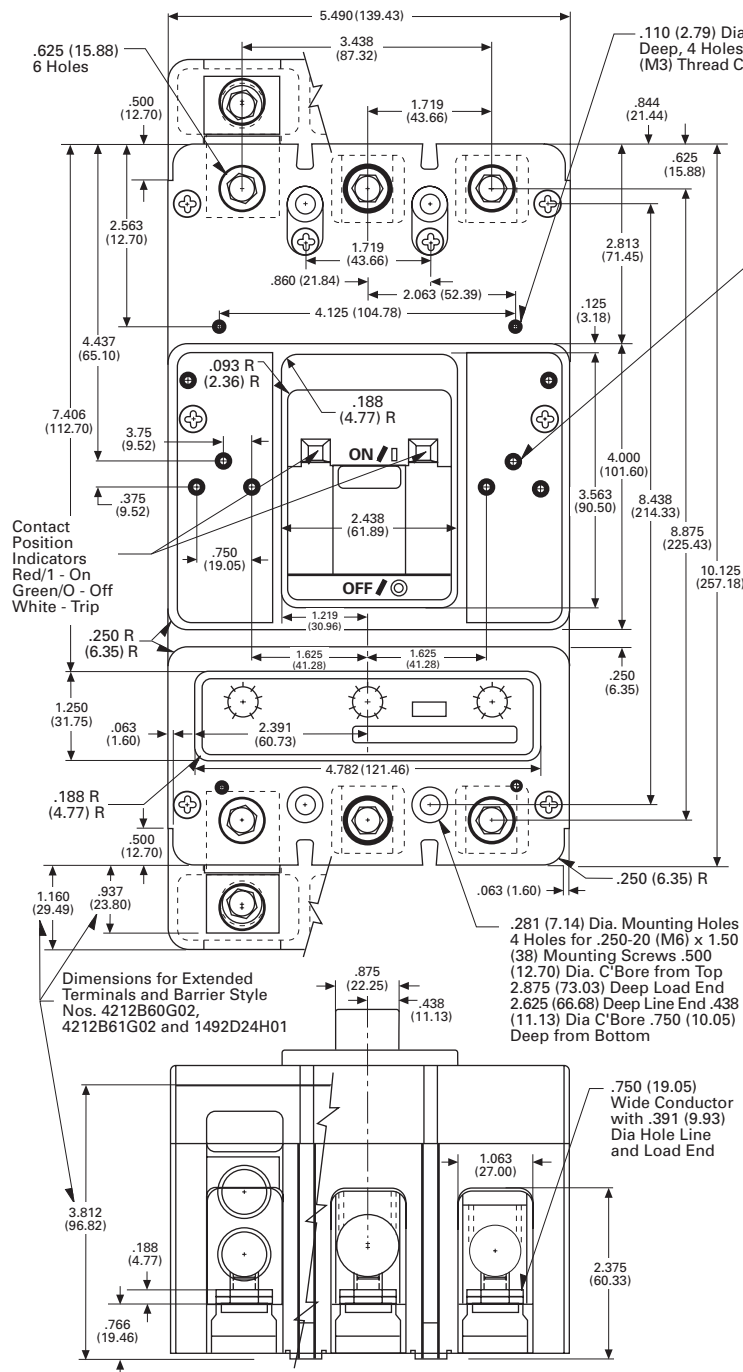
Westinghouse & Cutler-Hammer Products
Five Parkway Center
Pittsburgh, Pennsylvania, U.S.A. 15220



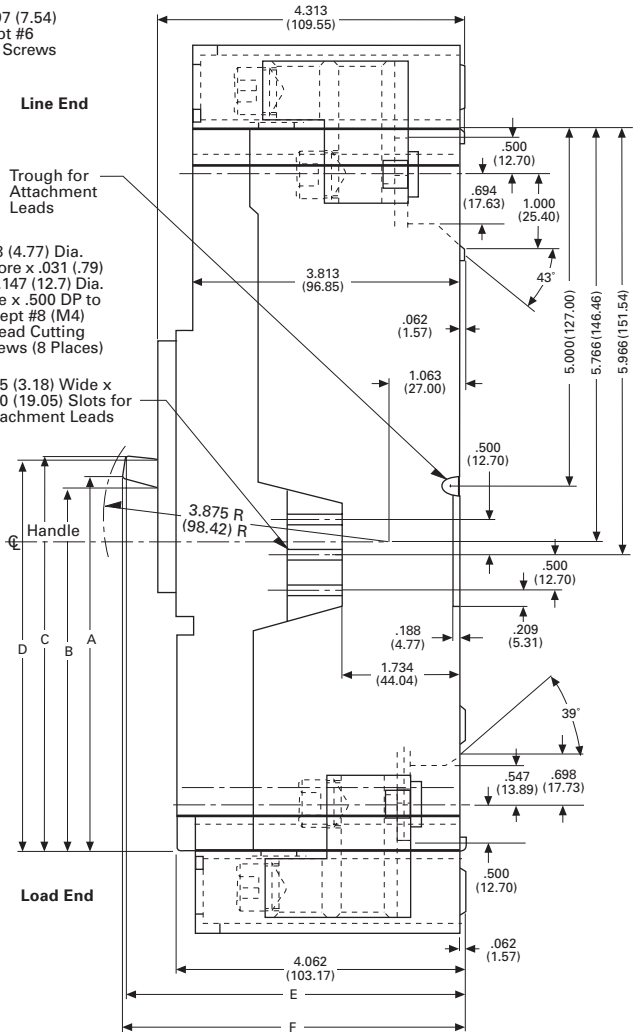
October 1997
Mailed to: E, D, C/29-100A

Series C[®] HMCP Motor Circuit Protectors 3-600 Amperes

K-Frame Front View



Side View



Breaker Status	Dimensions						Handle Force ^①
	A	B	C	D	E	F	
On	5.39 (136.9)	5.20 (132.1)	5.69 (144.5)	5.61 (142.5)	4.72 (119.9)	4.77 (121.2)	30 lbs. (13.61 kgs.)
Tripped	4.77 (121.2)	4.69 (119.1)	5.08 (129.0)	5.11 (129.8)	4.89 (124.2)	4.89 (124.2)	—
Off	4.16 (105.7)	4.21 (106.9)	4.46 (113.3)	4.64 (117.9)	4.95 (125.7)	4.91 (124.7)	25 lbs. (11.34 kgs.)
Reset	4.07 (103.4)	4.14 (105.2)	4.57 (116.1)	4.56 (115.8)	4.95 (125.7)	4.90 (124.5)	35 lbs. (15.87 kgs.)

① All handle forces measured approximately 0.125 (3.17) from top of handle.

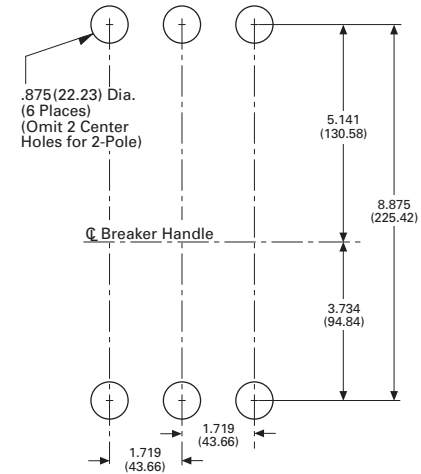
Reproduced from drawings 1492D63 and 1492D67
Dimensions in parentheses in millimeters



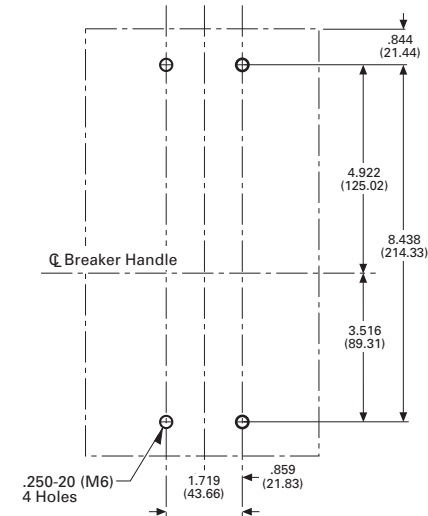
Series C HMCP Motor Circuit Protectors, 3-600 Amperes

**K-Frame
 Drilling Plans**

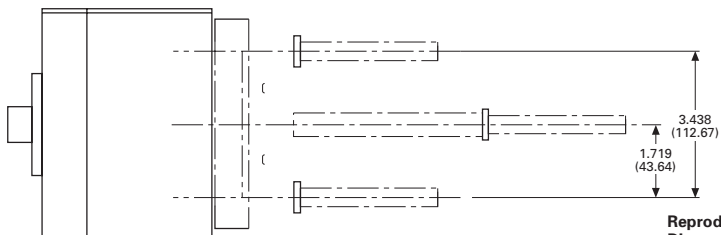
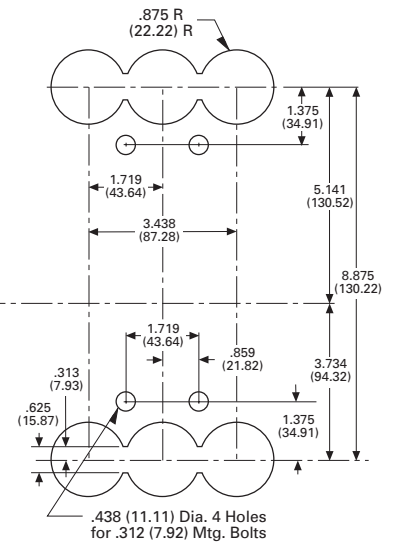
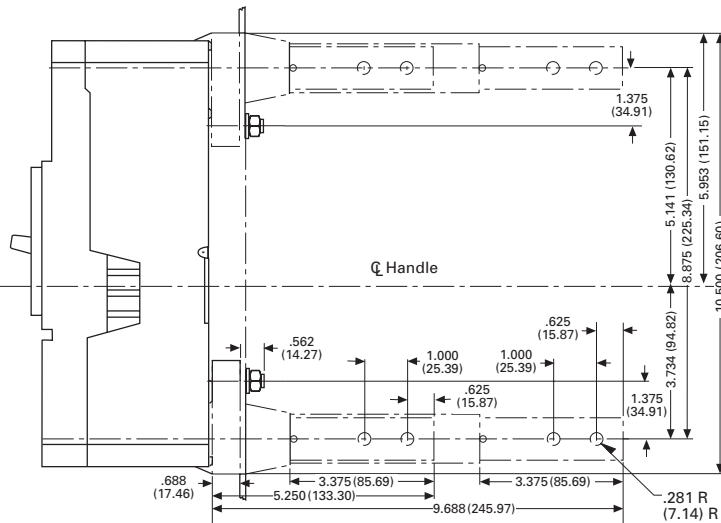
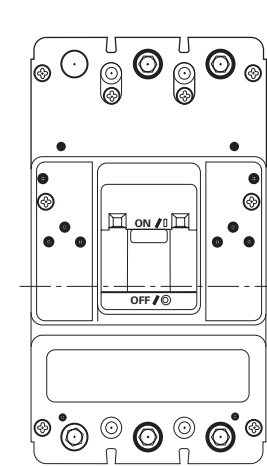
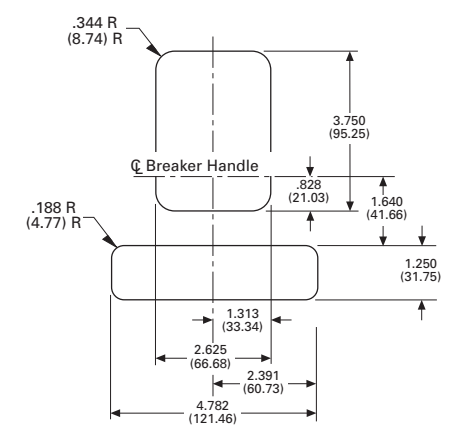
Rear Connected Studs



Front Connected Terminals



Front Cover Cutout



Reproduced from drawings 1492D63 and 1492D67
 Dimensions in parentheses in millimeters

Cutler-Hammer

Westinghouse & Cutler-Hammer Products
 Five Parkway Center
 Pittsburgh, Pennsylvania, U.S.A. 15220

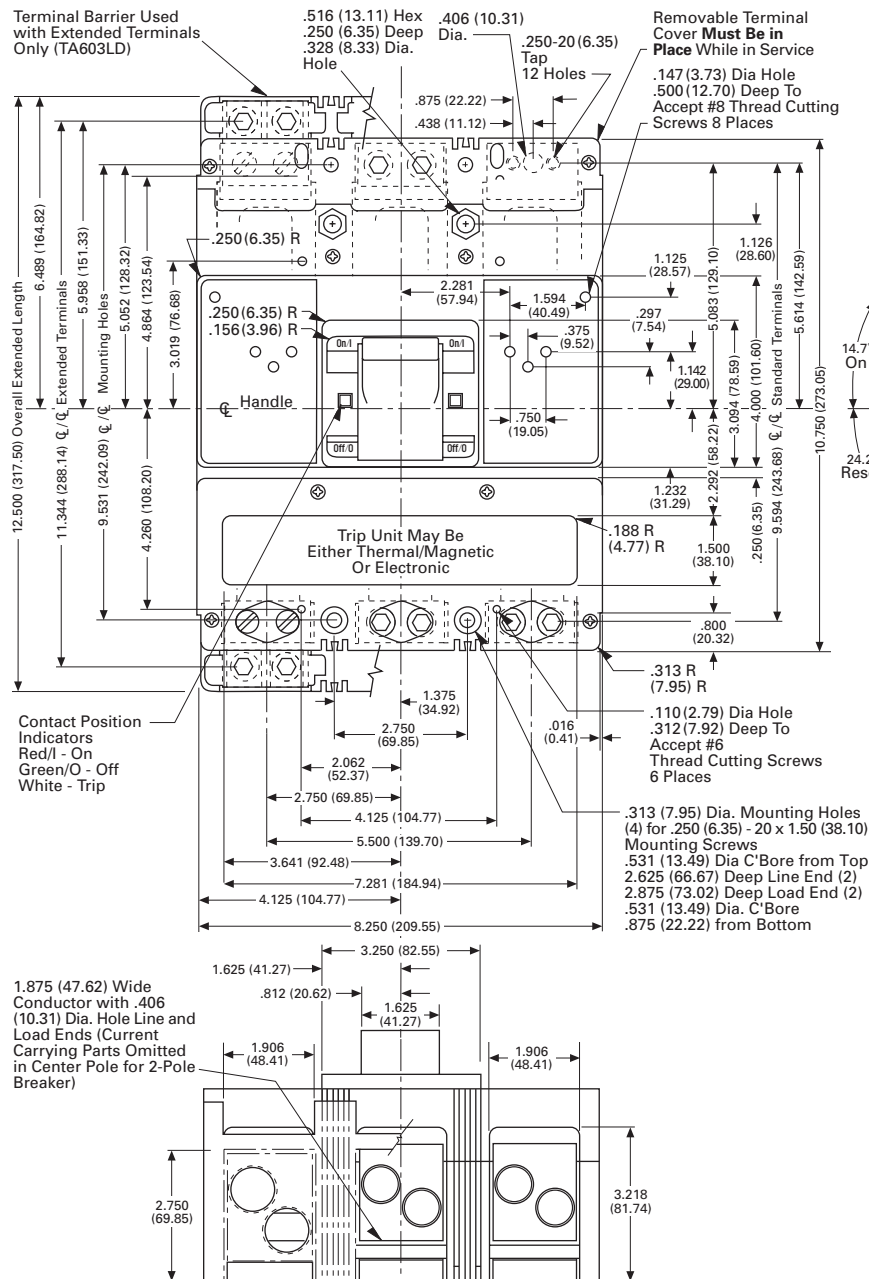


October 1997
 Mailed to: E, D, C/29-100A

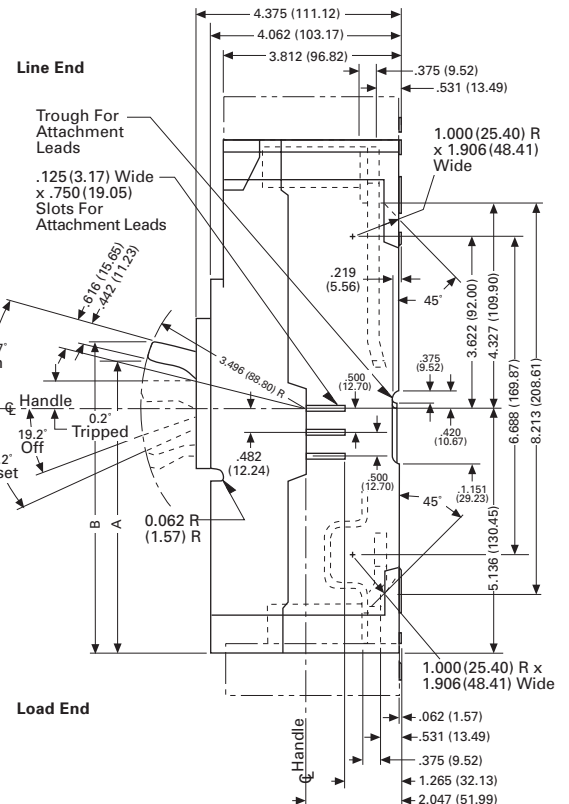
Series C[®] HMCP Motor Circuit Protectors 3-600 Amperes

L-Frame

Front View



Side View



Handle Forces (From End of Handle) ①

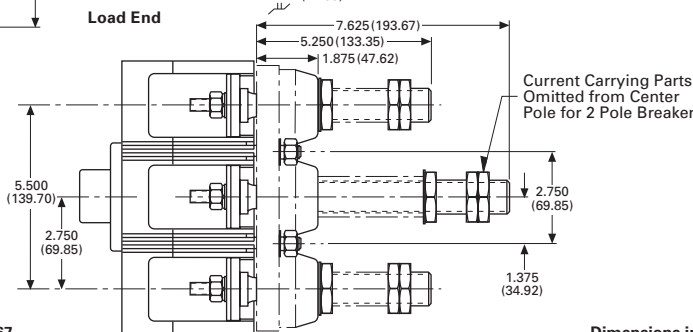
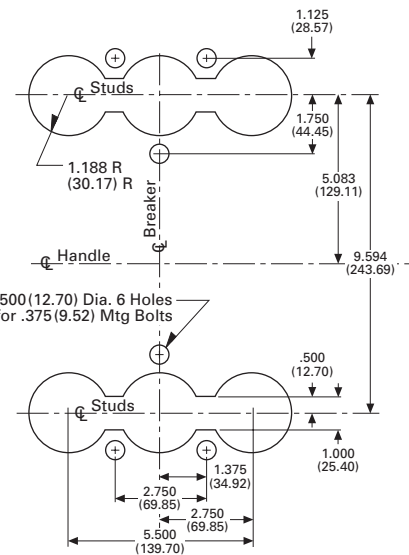
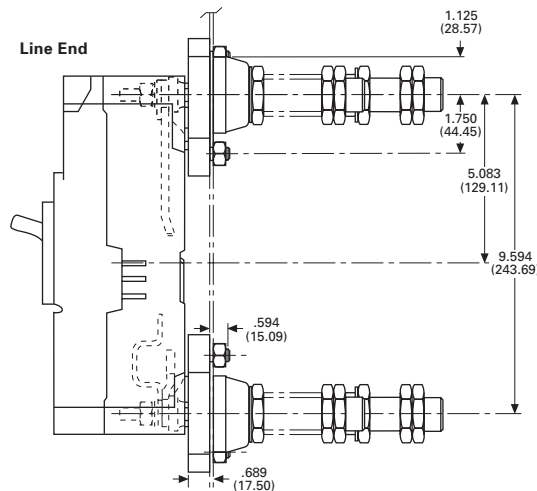
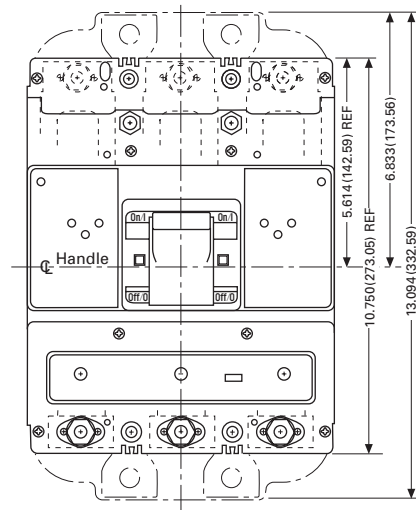
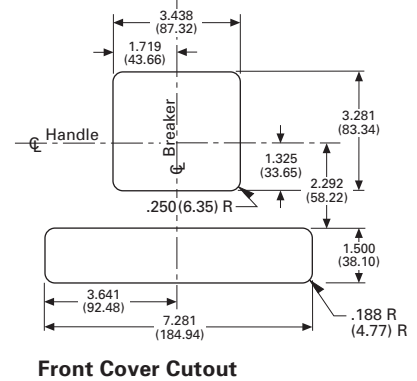
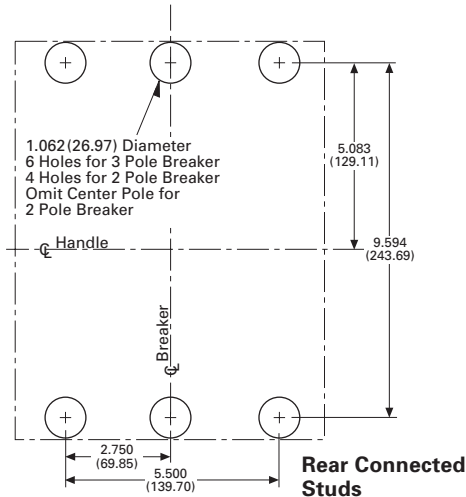
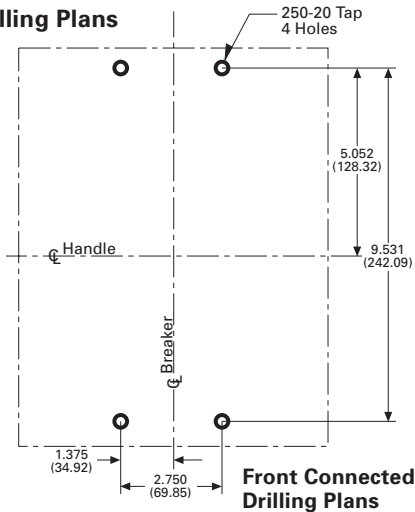
On	45 lbs.
Off	50 lbs.
Reset	60 lbs.

① Measurements taken approximately 3/16 in. from end of handle.



Series C HMCP Motor Circuit Protectors, 3-600 Amperes

**L-Frame
 Drilling Plans**



Reproduced from drawings 1493D63 and 1493D67

Dimensions in parentheses in millimeters

Cutler-Hammer
 Westinghouse & Cutler-Hammer Products
 Five Parkway Center
 Pittsburgh, Pennsylvania, U.S.A. 15220

