

Product data sheet

Specifications

SQUARE D

Green Premium™



Circuit breaker, PowerPacT H, 15A, 3 pole, 600VAC, 14kA, I-Line, thermal magnetic, 80%, ABC

HDA36015

Main

| | |
|---------------------------|-----------------|
| Range | PowerPact |
| Product name | PowerPact H |
| Product or component type | Circuit breaker |
| Device application | Distribution |

Complementary

| | |
|--|---|
| [In] rated current | 15 A |
| Number of Poles | 3P |
| Protected poles description | 3t |
| Control type | Toggle |
| Breaking capacity code | D |
| Breaking capacity | 25 kA 240 V AC 50/60 Hz UL 489 18 kA 480 V AC 50/60 Hz 14 kA 600 V AC 50/60 Hz 20 kA 250 V DC |
| [Ue] rated operational voltage | 690 V AC 50/60 Hz IEC 60947-3 |
| Network frequency | 50/60 Hz |
| [Ics] rated service breaking capacity | 25 kA 220/240 V AC 50/60 Hz IEC 60947-2 18 kA 380/440/415 V AC 50/60 Hz IEC 60947-2 14 kA 500/525 V AC 50/60 Hz IEC 60947-2 20 kA 250 V DC IEC 60947-2 20 kA 500 V DC IEC 60947-2 |
| [Uimp] rated impulse withstand voltage | 8 kV IEC 60947-2 |
| Trip unit technology | Thermal-magnetic |
| Magnetic tripping current | 750 A |
| Magnetic hold current | 350 A |
| Continuous current rating | 80 % |
| [Ui] rated insulation voltage | 750 V IEC 60947-2 |
| Suitability for isolation | Yes IEC 60947-2 |
| Utilisation category | Category A |
| AWG gauge | AWG 14...AWG 3/0 aluminum/copper terminal |
| Local signalling | Switched off (OFF) 1 trip indicator green) |

| | |
|------------------------------------|--|
| Mounting mode | I-Line bracket) |
| Mounting support | Bracket |
| Electrical connection | I-Line connection line Lugs load |
| Terminal identifier | AL150HD |
| Mounting height | 4.5 in (114.30 mm) |
| Tightening torque | 44.25 lbf.in (5 N.m) 0.00...0.01 in ² (2.5...6 mm ²) AWG 14...AWG 10) 123.91 lbf.in (14 N.m) 0.02...0.15 in ² (10...95 mm ²) AWG 8...AWG 3/0) |
| Number of slots | 2 auxiliary switch OF plug-in) 1 alarm switch SD plug-in) 1 overcurrent trip switch SDE plug-in) 1 voltage release MN or MX plug-in) |
| Power wire stripping length | 0.63 in (16 mm) |
| Color | Black |
| Height | 6.42 in (163 mm) |
| Width | 4.09 in (104 mm) |
| Depth | 3.39 in (86 mm) |
| Net weight | 4.85 lb(US) (2.2 kg) |
| Quantity per set | 1 |
| Phase connection | ABC |
| Communication interface | Modbus Ethernet |
| Circuit breaker application | HACR rated |

Environment

| | |
|--|---|
| Quality labels | CE |
| Standards | UL CSA NEMA NOM-003-SCFI-2000 IEC 60947-2 |
| Product certifications | UL CSA NOM |
| IP degree of protection | Front cover IP40 IEC 60529 |
| Pollution degree | 3 IEC 60947-1 |
| Ambient air temperature for operation | 28...158 °F (-2...70 °C) |
| Ambient air temperature for storage | -58...185 °F (-50...85 °C) |
| Operating altitude | < 2000 m without derating 5000 m with derating |

Packing Units

| | |
|-------------------------------------|-----------------------|
| Unit Type of Package 1 | PCE |
| Number of Units in Package 1 | 1 |
| Package 1 Height | 5.91 in (15.0 cm) |
| Package 1 Width | 8.50 in (21.6 cm) |
| Package 1 Length | 14.80 in (37.6 cm) |
| Package 1 Weight | 5.49 lb(US) (2.49 kg) |

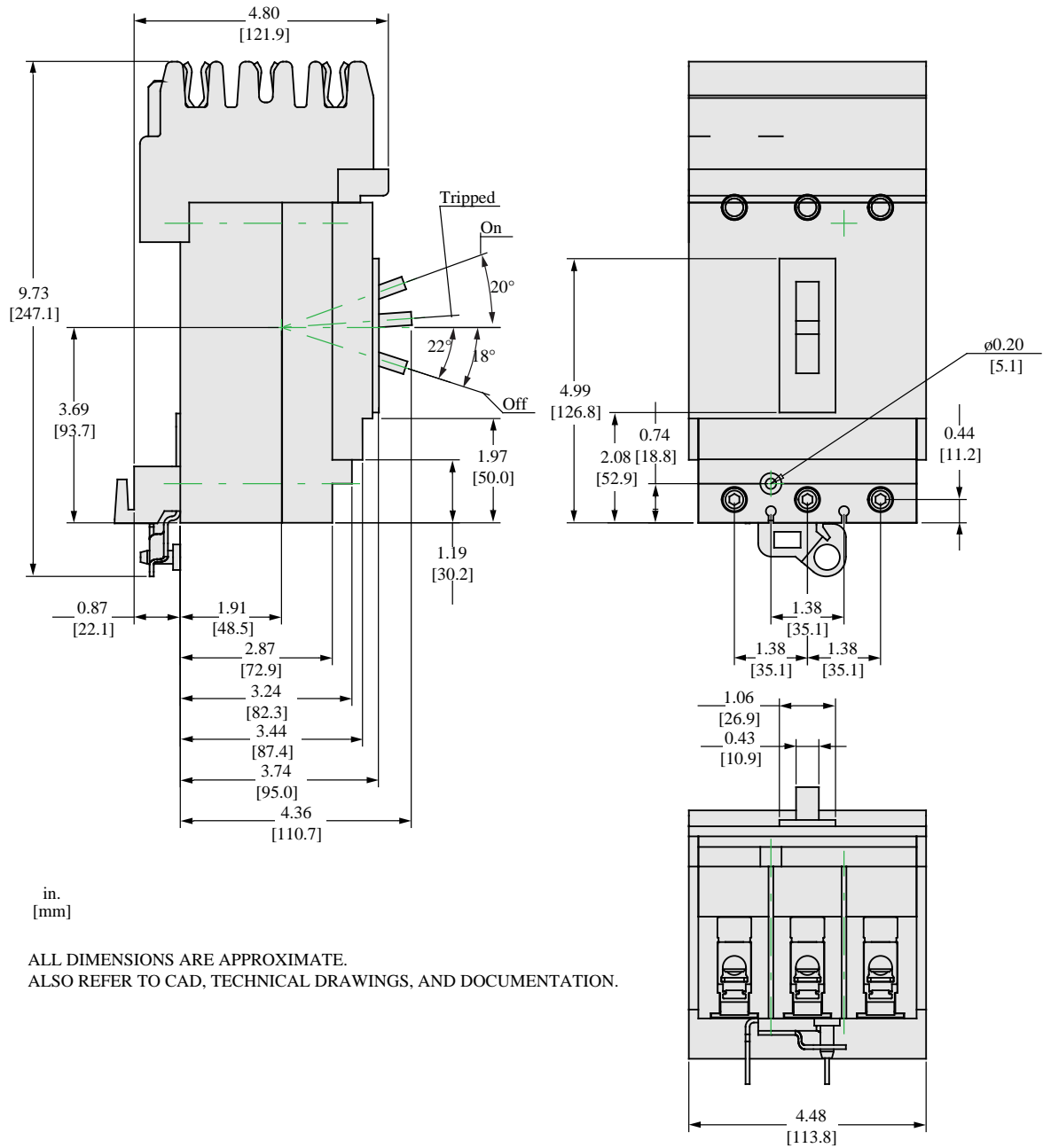
Offer Sustainability

| | |
|-----------------------------------|---|
| Sustainable offer status | Green Premium product |
| REACH Regulation | REACH Declaration |
| EU RoHS Directive | Compliant EU RoHS Declaration |
| Mercury free | Yes |
| China RoHS Regulation | China RoHS declaration Product out of China RoHS scope. Substance declaration for your information |
| RoHS exemption information | Yes |
| Environmental Disclosure | Product Environmental Profile |
| Circularity Profile | End of Life Information |
| WEEE | The product must be disposed on European Union markets following specific waste collection and never end up in rubbish bins |
| PVC free | Yes |

Contractual warranty

| | |
|-----------------|-----------|
| Warranty | 18 months |
|-----------------|-----------|

Dimensions



Recommended replacement(s)