



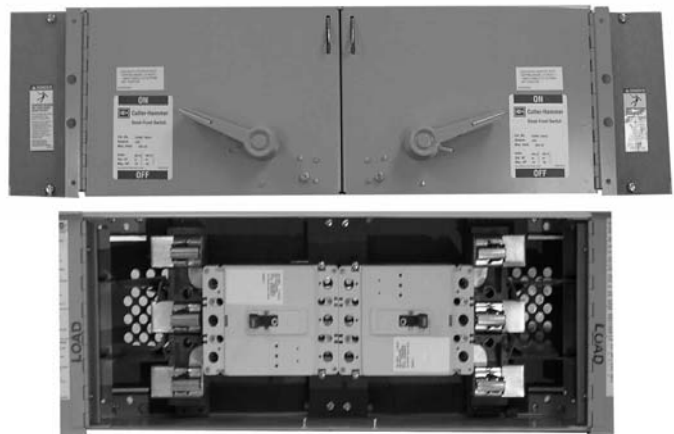
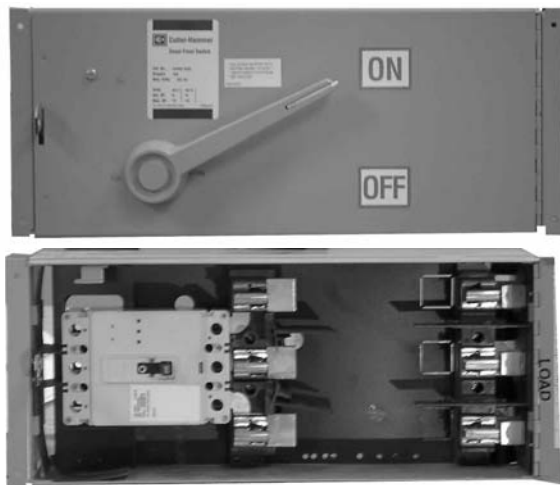
Cutler-Hammer

Type FDPB 200 Ampere Fusible Panelboard Switches

Technical Data

Supersedes Technical Data TD01416001E
pages 1-4 dated September 2002

<i>Description</i>	<i>Page</i>
Type FDPB 200 Ampere Fusible Panelboard Switches	
Product Description	2
Application Description	2
Standards and Certifications	2
Accessories	2
FDPB Switch Ratings	2
200 Ampere Single Horizontal Fused Switch	3
200 Ampere Twin Horizontal Fused Switch	4



Type FDPB 200 Ampere Fusible Panelboard Switches

200 Ampere Twin Horizontal Fused Switch

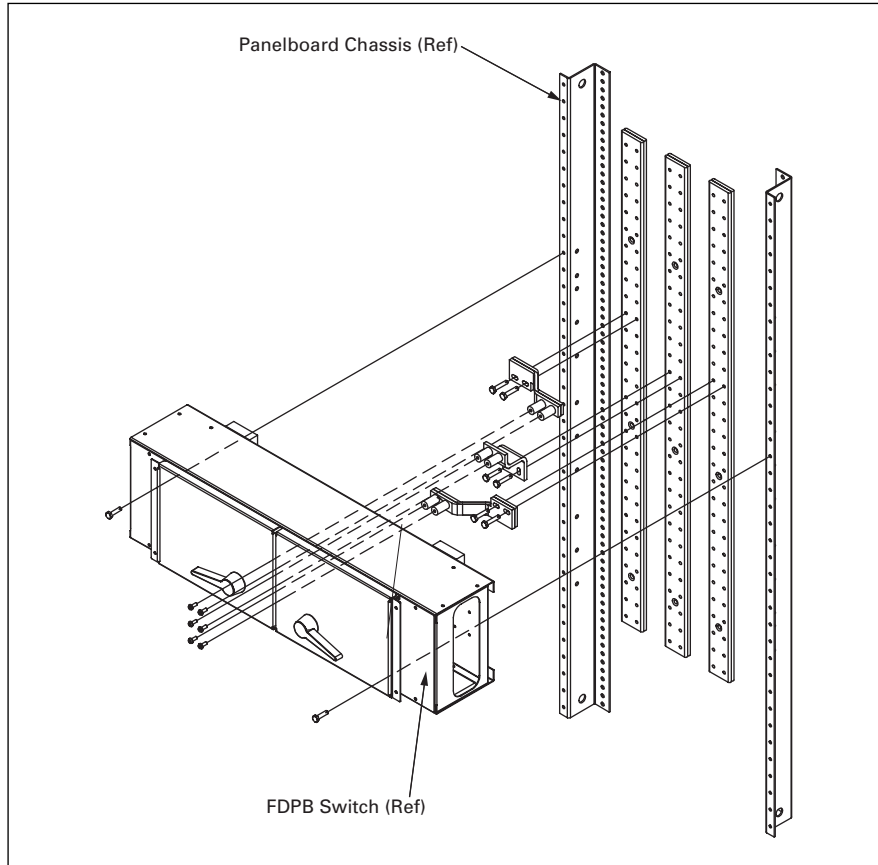


Figure 5. FDPB 200 Ampere Twin Type Switch

Switch Description

Table 4. Horizontal Branch

Rating		Fuse Type	Catalog Number
Ampere	Voltage		
200	240	R	FDPBT3244R
200	240	R	FDPBT3244RDS
200	600	J	FDPBT3644J
200	600	J	FDPBT3644JDS

Short Circuit Rating

200 kA rms symmetrical, 600 volt maximum.

Terminals

Pressure terminals supplied one per pole. UL recognized to accept one #4 – 300 kcmil Cu/Al wire.

Connectors

Connectors for FDPB 200 Ampere Fusible Panelboard Switches differ from connectors for FDPW switches. Please contact your local Cutler-Hammer Sales Office for price and availability.

Table 5. FDPB OEM Connectors

Equipment	Single Switch	Catalog Number
PRL4 Panelboard	FDPBT	KPRL4B6XT
PRL-C Switchboard	FDPBT	KPRL4B6XT

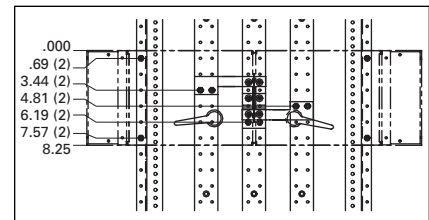


Figure 6. View Showing Mounting Locations of Connectors to Bus Bars

UL is a registered trademark of Underwriters Laboratories Inc.

Eaton Corporation
 Cutler-Hammer business unit
 1000 Cherrington Parkway
 Moon Township, PA 15108-4312
 USA
 tel: 1-800-525-2000
 www.cutler-hammer.eaton.com

