

16

15

14

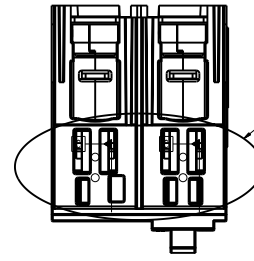
13

12

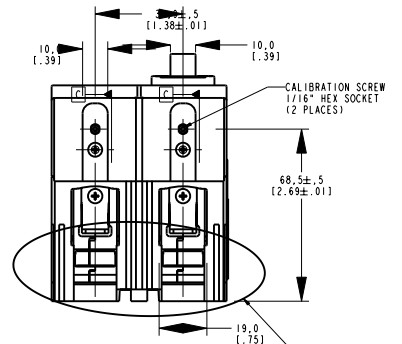
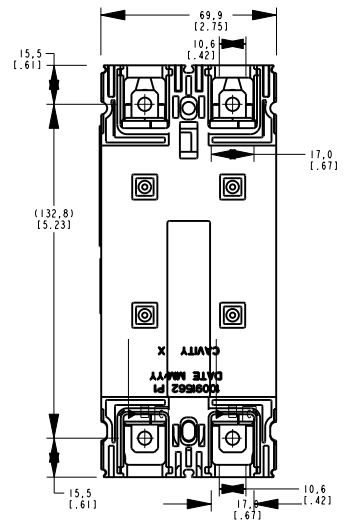
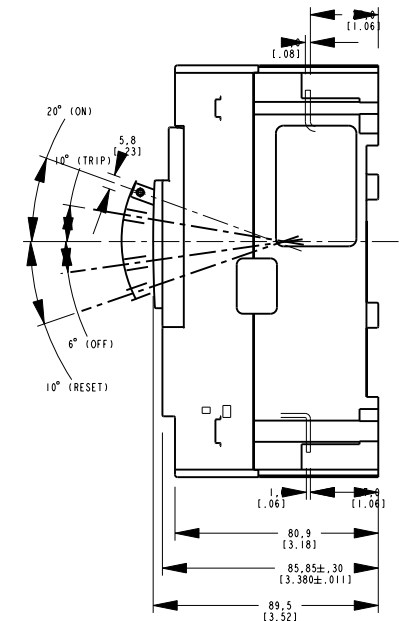
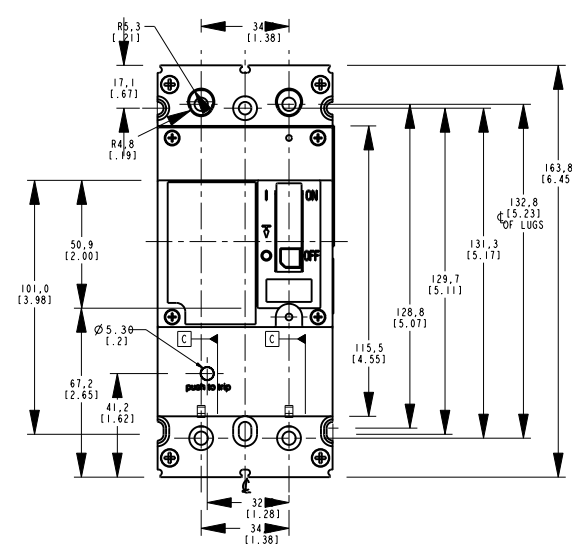
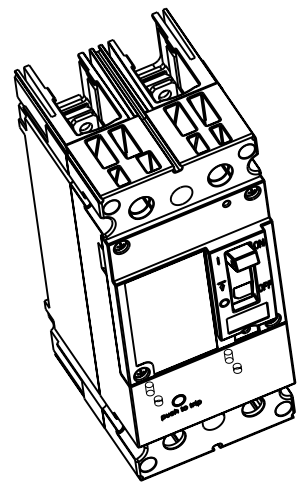
11

GE PROPRIETARY AND CONFIDENTIAL INFORMATION
 This document is the property of General Electric Company ("GE") and contains proprietary information of GE. This document is loaned to the recipient under the condition that it will be used only for the purpose intended and that it will not be disclosed, copied, or otherwise used in any way without the prior written consent of GE. Information contained herein is for internal use only and is not to be distributed outside of GE Industrial Systems. This document shall remain the property of GE. This document may be subject to change without notice. U.S. export control laws and regulations apply.

REVISIONS			
REV.	DESCRIPTION	DATE	APPROVED
1	CR R0400415	SAR 01/28/04	
2	CR R0402537	SAR 05/04/04	
3	CR R0401400	SAR 05/11/04	



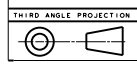
CAUTION!
 KEEP AT LEAST THREE INCHES
 CLEARANCE FOR EXHAUST IN
 THIS AREA



CAUTION!
 KEEP AT LEAST THREE INCHES
 CLEARANCE FOR EXHAUST IN
 THIS AREA

HANDLE OPERATING FORCES	
OFF TO ON	80 N (MAX)
ON TO OFF	52 N (MAX)
TRIP TO RESET	82 N (MAX)

NOTES: DIMS IN BRACKET ARE IN INCHES



FOR ADDITIONAL INFO REFER TO:	SIGNATURES	DATE	GE Industrial Systems	GENERAL ELECTRIC COMPANY
APPLIED PRACTICES	DETAIL	SAR 01/28/04		
DIMENSIONS ARE IN MILLIMETERS	CHECKED	SAR 01/28/04		
UNLESS OTHERWISE SPECIFIED IN DRAWING	ENG			
TOLERANCE ON:	MFG			
1 PL DECIMALS ± 0.3	QUALITY			
2 PL DECIMALS ± 0.13	ISSUED			
ANGLES ± 1.0				
FRACTIONS ±				
FINISH				
CRITICAL TO QUALITY CHARACTERISTIC	DRAWING FILE: 100916361			
	SOLID MODEL: 100916361			

TITLE		SCALE	REF. No.	SHEET 1 OF 1
OUTLINE DRAWING 2P FB100		SCALE: 1:1	REF. No.:	SHEET 1 OF 1
STATE DRAWING	AI			

16

15

14

13

12

11

METRIC