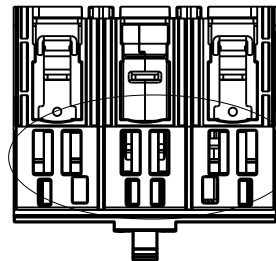
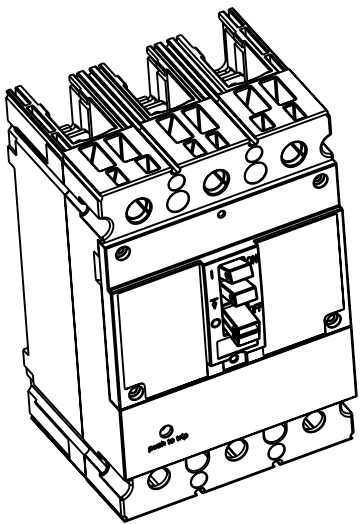
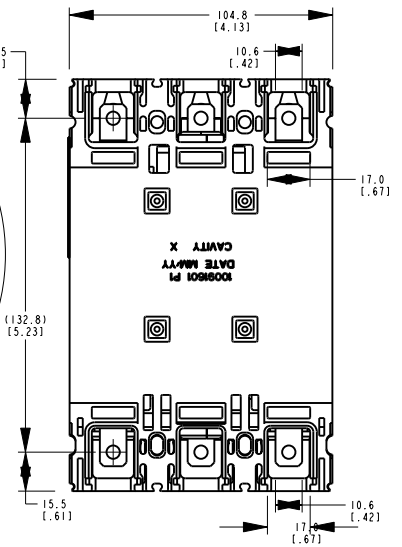
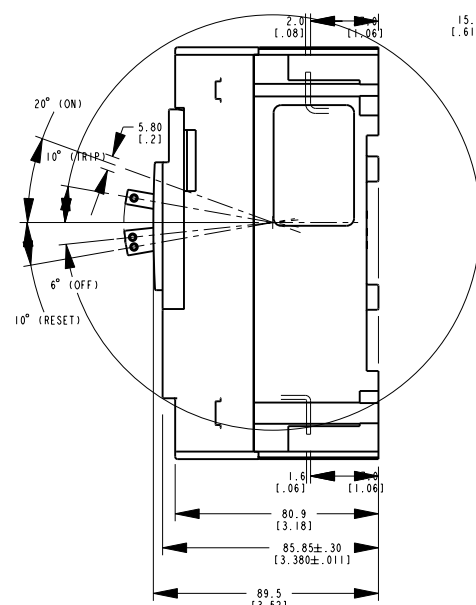
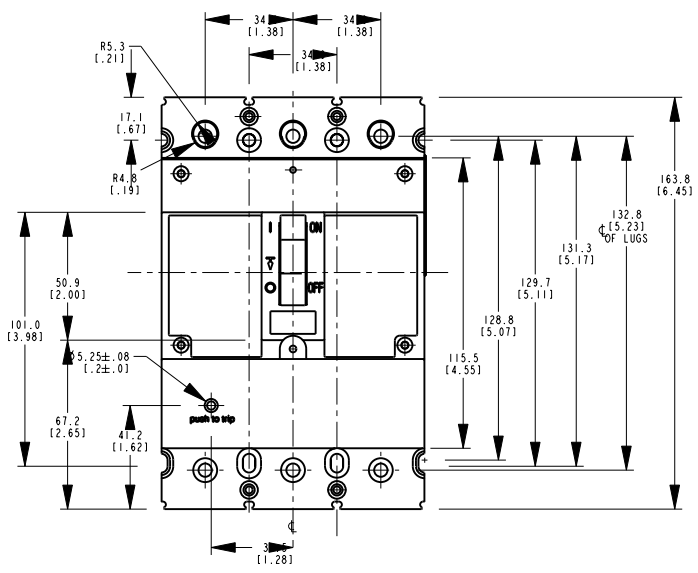


GE PROPRIETARY AND CONFIDENTIAL INFORMATION
 This document is the property of General Electric Company ("GE") and contains proprietary information of GE. This document is loaned to the recipient under the condition that it will be used for the specific purpose intended and will not be disclosed, copied, reproduced, or otherwise used for any other purpose without the prior written consent of GE. Information contained herein is for internal use only and is not to be distributed outside of GE Industrial Systems. This document shall remain the property of GE Industrial Systems. This document shall not be used for any other purpose without the prior written consent of GE Industrial Systems. This document may be subject to certain restrictions under U.S. export control laws and regulations.

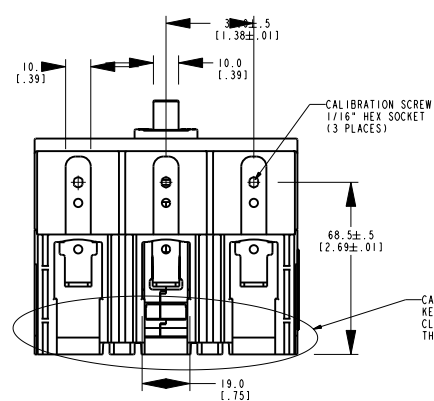
REV. NO.		REVISIONS		DATE	APPROVED
1	CR R0400415	SAR		01/28/04	
2	CR R0402537	SAR		05/04/04	
3	CR R0401400	SAR		05/11/04	



CAUTION!
 KEEP AT LEAST THREE INCHES
 CLEARANCE FOR EXHAUST IN
 THIS AREA



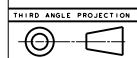
NOTE: DIMS IN BRACKET ARE IN INCHES



CALIBRATION SCREW
 1/16" HEX SOCKET
 (3 PLACES)

CAUTION
 KEEP AT LEAST THREE INCHES
 CLEARANCE FOR EXHAUST IN
 THIS AREA

HANDLE OPERATING FORCES	
OFF TO ON	80 N (MAX)
ON TO OFF	52 N (MAX)
TRIP TO RESET	82 N (MAX)



FOR ADDITIONAL INFO REFER TO:	SIGNATURES	DATE	GE Industrial Systems	GENERAL ELECTRIC COMPANY
APPLIED PRACTICES	ADJ	01/21/03		
DIMENSIONS ARE IN MILLIMETERS	DETAL	01/22/03		
UNLESS OTHERWISE SPECIFIED IN DRAWING	CHECKED			
TOLERANCE ON:	ENGRG			
1 PL DECIMALS ± 0.3	WFS			
2 PL DECIMALS ± 0.13	QUALITY			
ANGLES ± 1.0	ISSUED			
FRACTIONS ±				
FINISH				
CRITICAL TO QUALITY CHARACTERISTIC				
SOLID MODEL: 10091641.LAYOUT				

OUT LINE DRAWING
 RECORD PLUS FB 100

SCALE: 1:1 REF. No. SHEET 1 OF 1

10091641 3