

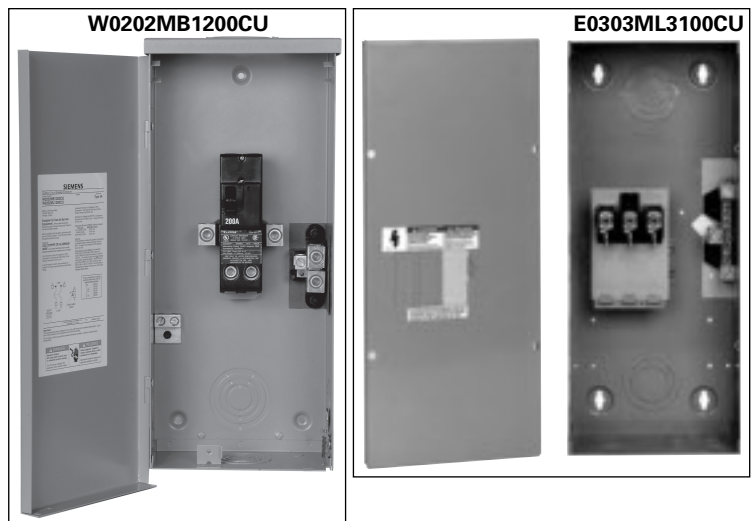
EQ® Load Centers

Circuit Breakers Enclosures

Selection/Wiring Diagrams

Features

- Circuit breaker enclosures range from 60A to 225A, indoor and outdoor models
- Designed for use exclusively with QP, QT, QPH, HOP, BO, BOH, HBO, QPP, QPPH, HQPP, QJ2, QJH2 and QJ2-H circuit breakers
- UL listed
- Suitable for use as service entrance equipment
- UL listed for 60/75°C conductors (See equipment markings for applications)



Breaker Used			Indoor Enclosure — NEMA Type 1						Outdoor Enclosure — NEMA Type 3R					
Frame Type	Ampere Rating	No. of Poles	Catalog Number	List Price \$	Std. Pkg.	Dimensions (inches)			Catalog Number	List Price \$	Std. Pkg.	Dimensions (inches)		
						Height	Width	Depth				Height	Width	Depth
1 Phase, 3 Wire SN — 120/240 Volts AC														
QP, QPH, HQP	60	2	E0204ML1060S ^①	72.00	5	9 7/8	5 1/8	2 5/8	W0204ML1060 ^①	134.00	5	8	5	4 1/4
	60	2	E0204ML1060F	110.00	5	9 7/8	5 1/8	2 5/8	—	—	—	—	—	—
	100	2	E0202MB1100 ^{NEW}	000.00	1	17 1/8	7 3/8	4 5/16	W0202MB1100CU ^②	347.00	1	17.4	7.3	4.3
	125	2	E0204ML1125SCU	115.00	1	17 1/8	7 1/8	4 1/4	W0204ML1125CU	180.00	1	17 1/8	7 3/8	4 5/16
QN, QNH, HQN	200	2	—	—	—	—	—	—	W0202ML1200CU	446.00	1	19 3/4	8.4	4.6
	200	2	E0202MB1200 ^{NEW}	000.00	—	19 3/8	8 1/2	4	W0202MB1200CU ^②	859.00	1	19 3/4	8.4	4.6
QPP, QPPH, HQPP, QP	225	1-4	—	—	—	—	—	—	W0406ML1225CU ^②	377.00	1	23	10	4 1/8
QJ2, QJH2, QJ2-H	150	2	—	—	—	—	—	—	WB2150B ^③	904.00	1	27	7 3/8	4 15/16
	200	2	—	—	—	—	—	—	WB2200B ^③	904.00	1	27	7 3/8	4 15/16
	225	2	—	—	—	—	—	—	WB2225 ^②	398.00	1	27	7 3/8	4 5/16
3 Phase, 3 Wire 240 Volts AC or 3 Phase, 4 Wire SN — 120/208 Volts AC, 120/240, 240 Volts AC														
QP, QPH, HQP	100	2-3	E0303ML3100S	180.00	1	17 1/8	7 1/8	4 1/4	W0303ML3100	237.00	1	17 1/8	7 3/8	4 5/16
BQ, BOH, HBO	100	2-3	EB3100S ^④	180.00	1	17 1/8	7 1/8	4 1/4	WB3100 ^③	237.00	1	17 1/8	7 3/8	4 5/16
QJ2, QJH2, QJ2-H	225	2-3	EB3225F ^②	215.00	1	27	10 1/8	5 1/8	WB3225 ^②	437.00	1	27	10 1/8	5 9/16

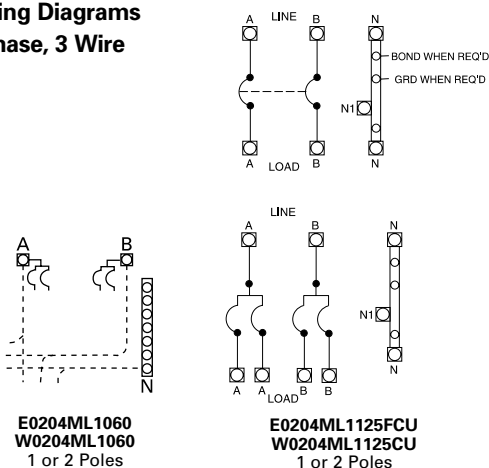
① Will not accommodate 2-pole GFCI or circuit breaker with shunt trip.
 ② 42,000A IR maximum. Copper wire only at 225A.

③ Will not accommodate GFCI or circuit breaker with shunt trip.
 ④ Main breaker factory installed.

⑤ QJ2 frame circuit breaker installed, rated 10,000A IR.

Wiring Diagrams

1 Phase, 3 Wire



3 Phase, 4 Wire

