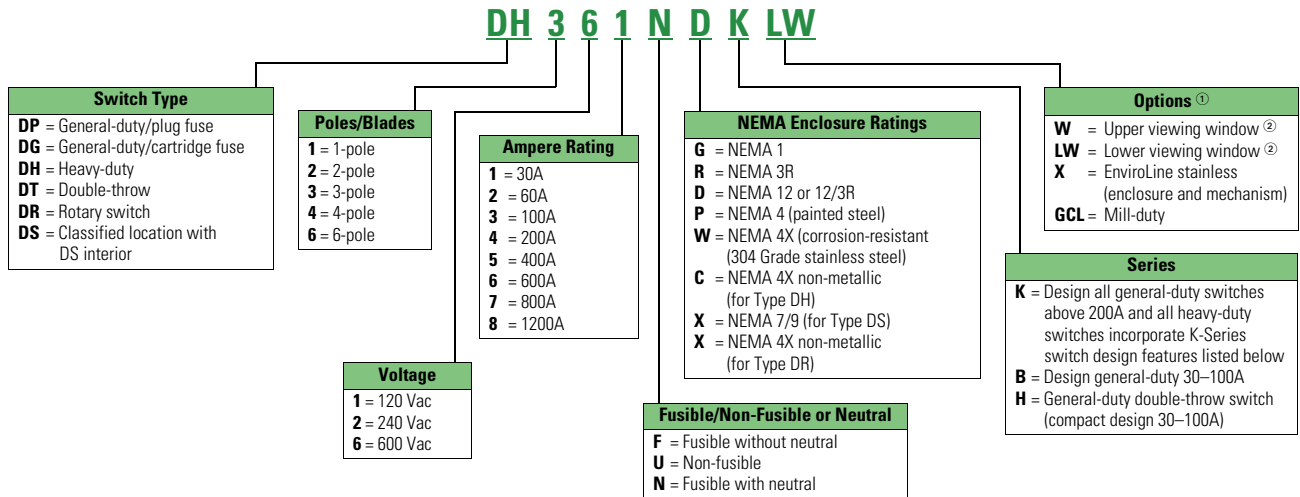


### Catalog Number Selection

#### Safety Switch



#### Notes

<sup>①</sup> See **Pages V2-T1-16** through **V2-T1-19** for additional Flex Center options.

<sup>②</sup> Effective August 2003, 30–100A window switches are replaced by a full view window that allows blade position verification and blown fuse indication. See **Page V2-T1-39** for catalog numbers.

**This table is intended for use in breaking down existing catalog numbers. It is not intended for building new catalog numbers.**

A factory-installed ground lug is supplied in all heavy-duty safety switches.

#### Dimensions

Approximate Dimensions in Inches (mm)

#### Plug Fuse, 120, 120/240V, Single-, Two-Pole Solid Neutral, Single-Throw

Ampere Rating	NEMA 1 Height	Width	Depth
30	6.88 (174.8)	4.94 (125.5)	3.44 (87.4)

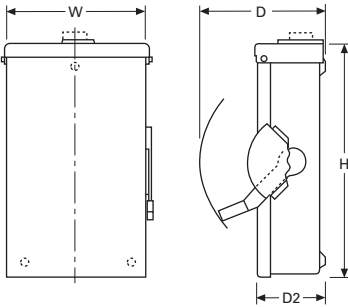
#### General-Duty, Non-Fusible, 240V, Three-Pole, Single-Throw <sup>①</sup>

Ampere Rating	Width (W)	Height (H)	Depth (D)	Depth (D2)	Weight Lbs (kg)
<b>NEMA 1</b>					
30	6.38 (162.1)	10.69 (271.5)	6.88 (174.8)	3.75 (95.2)	6 (2.724)
60	8.69 (220.7)	14.19 (360.4)	7.38 (187.5)	4.21 (106.9)	9 (4.086)
100	9.13 (231.9)	18.81 (477.8)	7.38 (187.5)	4.23 (107.4)	12 (5.448)
200	16.00 (406.4)	24.75 (628.7)	11.25 (285.8)	6.14 (156.0)	48 (21.792)
400	23.00 (584.2)	44.75 (1136.7)	12.63 (320.8)	7.27 (184.7)	100 (45.4)
600	24.00 (609.6)	52.25 (1327.2)	14.25 (362.0)	8.95 (227.3)	130 (59.02)
<b>NEMA 3R</b>					
30	6.38 (162.1)	10.81 (274.6)	6.88 (174.8)	3.75 (95.2)	6 (2.724)
60	8.69 (220.7)	14.38 (365.3)	7.38 (187.5)	4.21 (106.9)	9 (4.086)
100	9.13 (231.9)	19.25 (489.0)	7.38 (187.5)	4.23 (107.4)	12 (5.448)
200	16.00 (406.4)	25.50 (647.7)	11.25 (285.8)	6.14 (156.0)	55 (24.97)
400	23.00 (584.2)	45.19 (1147.8)	12.63 (320.8)	7.27 (184.7)	105 (47.67)
600	24.00 (609.6)	52.70 (1338.6)	14.25 (362.0)	8.95 (227.3)	135 (61.29)

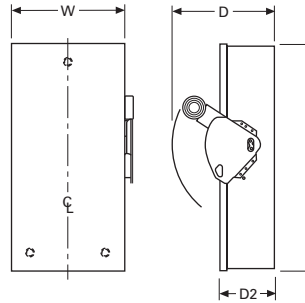
#### General-Duty, Fusible, 240V, Three-Pole Solid Neutral, Single-Throw <sup>①</sup>

Ampere Rating	Width (W)	Height (H)	Depth (D)	Depth (D2)	Weight Lbs (kg)
<b>NEMA 1</b>					
30	6.38 (162.1)	10.69 (271.5)	6.88 (174.8)	3.75 (95.2)	6 (2.724)
60	8.69 (220.7)	14.19 (360.4)	7.38 (187.5)	4.21 (106.9)	10 (4.54)
100	9.13 (231.9)	18.81 (477.8)	7.38 (187.5)	4.23 (107.4)	14 (6.356)
200	16.00 (406.4)	24.75 (628.7)	11.25 (285.8)	6.14 (156.0)	48 (21.792)
400	23.00 (584.2)	44.75 (1136.7)	12.63 (320.8)	7.27 (184.7)	110 (49.94)
600	24.00 (609.6)	52.25 (1327.2)	14.25 (362.0)	8.95 (227.3)	145 (65.83)
<b>NEMA 3R</b>					
30	6.38 (162.1)	10.81 (274.6)	6.88 (174.8)	3.75 (95.2)	6 (2.724)
60	8.69 (220.7)	14.38 (365.3)	7.38 (187.5)	4.21 (106.9)	10 (4.54)
100	9.13 (231.9)	19.25 (489.0)	7.38 (187.5)	4.23 (107.4)	14 (6.356)
200	16.00 (406.4)	25.50 (647.7)	11.25 (285.8)	6.14 (156.0)	55 (24.97)
400	23.00 (584.2)	45.19 (1147.8)	12.63 (320.8)	7.27 (184.7)	115 (52.21)
600	24.00 (609.6)	52.70 (1338.6)	14.25 (362.0)	8.95 (227.3)	150 (68.1)

#### NEMA 1-3R 30–100A General-Duty Non-Fusible and Fusible Single-Throw <sup>②</sup>



#### NEMA 1-3R 200–600A General-Duty Non-Fusible and Fusible Single-Throw



#### Notes

- ① Dimensions are for estimating purposes only.
- ② Figure is not applicable to plug fuse.

## Heavy-Duty Safety Switch



## Contents

<i>Description</i>	<i>Page</i>
Product Overview . . . . .	<b>V2-T1-3</b>
General Duty . . . . .	<b>V2-T1-26</b>
Heavy-Duty	
Standards and Certifications . . . . .	<b>V2-T1-32</b>
Product Selection . . . . .	<b>V2-T1-33</b>
Dimensions . . . . .	<b>V2-T1-42</b>
Six-Pole Switches . . . . .	<b>V2-T1-43</b>
Double-Throw Switches . . . . .	<b>V2-T1-45</b>
EnviroLine—Stainless Steel Switch . . . . .	<b>V2-T1-53</b>
EnviroLine—Upper and Lower Window Switches . . . . .	<b>V2-T1-56</b>
EnviroLine—Receptacle Switches . . . . .	<b>V2-T1-59</b>
EnviroLine—Non-Metallic KRYDON Switch . . . . .	<b>V2-T1-61</b>
Shunt Trip Safety Switch . . . . .	<b>V2-T1-63</b>
NEMA 7/9—Hazardous Location Disconnect Switch . . . . .	<b>V2-T1-66</b>
Quick Connect Switches . . . . .	<b>V2-T1-68</b>
Solar Disconnect Switch . . . . .	<b>V2-T1-70</b>
316-Grade Stainless Steel Safety Switches . . . . .	<b>V2-T1-72</b>
Mill-Duty Rated, Heavy-Duty, Fusible, Non-Fusible, Single-Throw . . . . .	<b>V2-T1-76</b>
Heavy-Duty Fusible Safety Switches Accepting Cube Fuses . . . . .	<b>V2-T1-78</b>
Elevator Control Switch . . . . .	<b>V2-T1-81</b>
Auxiliary Power Heavy-Duty Safety Switch . . . . .	<b>V2-T1-83</b>
Left-Handed Safety Switch . . . . .	<b>V2-T1-86</b>
200% Neutral Safety Switches . . . . .	<b>V2-T1-87</b>
Pringle Bolted Pressure Switch . . . . .	<b>V2-T1-88</b>
Type DS, Fusible and Non-Fusible . . . . .	<b>V2-T1-91</b>
Type Visi-Flex DE-ION . . . . .	<b>V2-T1-94</b>
Flange Mounted—Variable Depth . . . . .	<b>V2-T1-98</b>
Flange Mounted—Fixed Depth . . . . .	<b>V2-T1-102</b>

## Heavy-Duty

## Product Description

- 30–1200A
- 600 Vac, 600 Vdc maximum
- Horsepower rated
- Fusible and non-fusible switches are 100% load break and 100% load make rated
- The continuous load current of fusible switches is not to exceed 80% of the rating of fuses employed in other than motor circuits. Non-fusible switches are 100% fully rated
- Suitable for service entrance applications unless otherwise noted
- For factory modifications, refer to **Pages V2-T1-16** through **V2-T1-19**

## Application Description

For heavy commercial and industrial applications where reliable performance and service continuity are critical.

For the toughest heavy commercial and industrial applications, refer to **Page V2-T1-76** for catalog information on our mill-duty safety switch


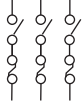
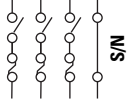
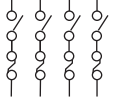
## Features, Benefits and Functions

- Deionizing arc chutes; arc chutes confine and suppress the arcs produced by opening contacts under load
- Mechanically interlocked cover to prevent easy access when the switch is in the ON position
- Clearly visible palm fitting red handle
- Complete accessory and renewal parts data shown on inner door label.
- 30–800A NEMA 12 designs convertible to NEMA 3R by opening factory-installed drain hole
- 30–1200A switches are seismic qualified and exceed the requirements of the Uniform Building Code® (UBC) and California Code Title 24
- Tri-lingual nameplates

DH362NRK



**600 Vac Heavy-Duty, Fusible, Single-Throw, 277/480–600V—NEMA 1, 3R**

System	Ampere Rating	Fuse Class Provision	Maximum Horsepower Ratings with Time Delay Fuses						NEMA 1 Enclosure Indoor Catalog Number	NEMA 3R Enclosure Rainproof Catalog Number
			Single-Phase AC		Three-Phase AC		DC			
			480V	600V	480V	600V	250V	600V		
<b>Two-Pole—480 Vac—600 Vac or Vdc<sup>①</sup> (Suitable for Service Entrance Use with a Neutral Kit Installed)</b>										
	30	H	7-1/2	10	—	—	—	15	DH261FGK	DH261FRK
	60	H	20	25	—	—	—	25	DH262FGK	DH262FRK
	100	H	30	40	—	—	20	25	DH263FGK	DH263FRK
	200	H	50	50	—	—	40	50	DH264FGK	DH264FRK
	400	H	—	—	—	—	50	—	DH265FGK	DH265FRK
	600	H	—	—	—	—	50	—	DH266FGK	DH266FRK
	800	L	—	—	—	—	—	—	DH267FGK	DH267FRK
	1200	L	—	—	—	—	—	—	②	—
<b>Three-Pole—480 Vac—600 Vac, 250 Vdc (Suitable for Service Entrance Use with a Neutral Kit Installed)</b>										
	30	H	7-1/2	10	15	20	—	—	DH361FGK	DH361FRK
	60	H	20	25	30	50	—	—	DH362FGK	DH362FRK
	100	H	30	40	60	75	—	—	DH363FGK	DH363FRK
	200	H	50	50	125	150	—	—	DH364FGK	DH364FRK
	400	H	—	—	250	350	—	—	DH365FGK	DH365FRK
	600	H	—	—	400	500	—	—	DH366FGK	DH366FRK
	800	L	—	—	500	500	—	—	DH367FGK	DH367FRK
	1200	L	—	—	500	500	—	—	DH368FGK	DH368FRK
<b>Four-Wire (Three Blades, Three Fuses, S/N) 480 Vac—600 Vac, 250 Vdc</b>										
	30	H	7-1/2	10	15	20	—	—	DH361NGK	DH361NRK
	60	H	20	25	30	50	—	—	DH362NGK	DH362NRK
	100	H	30	40	60	75	—	—	DH363NGK	DH363NRK
	200	H	50	50	125	150	—	—	DH364NGK	DH364NRK
	400	H	—	—	250	350	—	—	DH365NGK	DH365NRK
	600	H	—	—	400	500	—	—	DH366NGK	DH366NRK
	800	L	—	—	500	500	—	—	DH367NGK	DH367NRK
	1200	L	—	—	500	500	—	—	DH368NGK	DH368NRK
<b>Four-Pole—480 Vac—600 Vac, 250 Vdc</b>										
	30	H	20 <sup>③</sup>	25 <sup>③</sup>	15	20	—	—	DH461FGK	④
	60	H	40 <sup>③</sup>	50 <sup>③</sup>	30	50	—	—	DH462FGK	④
	100	H	50 <sup>③</sup>	50 <sup>③</sup>	60	75	—	—	DH463FGK	④
	200	H	—	—	125	150	40	—	DH464FGK	④
	400	H	—	—	250	350	50	—	DH465FGK	②④
	600	H	—	—	400	500	—	—	DH466FGK	②④
	800	L	—	—	—	—	—	—	②	②④

**Notes**

- ① DC rating for 800A switches is 250V.
  - ② Contact the Safety Switch Flex Center (1-888-329-9272 or FlexSwitches@eaton.com) for availability of this product.
  - ③ Ratings are for two-phase AC.
  - ④ Use NEMA 12. NEMA 12 enclosures (30–1200A) can be field modified to meet NEMA 3R rainproof requirements when a factory provided drain hole is opened.
- 30A heavy-duty switches with Type J fuse provisions are available from the factory only. See table on **Page V2-T1-18** for catalog numbers.
- Suitable for service entrance use, except 1200A on 480Y/277 or 600Y/347 grounded wye systems, per NEC 215.10 and 230.95, and four-pole switches.