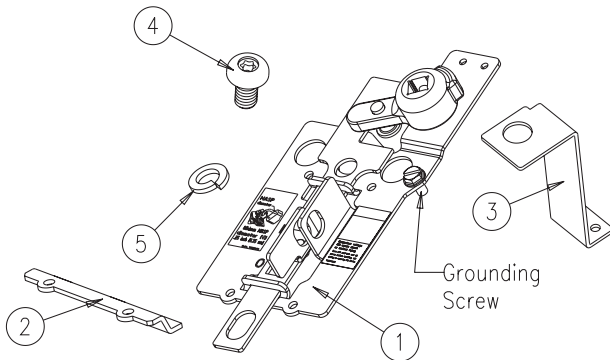


Installation Instructions

	⚠ DANGER	⚠ PELIGRO	⚠ DANGER
	Hazardous Voltage. Will cause death or serious injury.	Tensión Peligrosa. Puede causar la muerte o lesiones graves.	Tension Dangereuse. Danger de morbu risquede blessures graves.
	Turn off and lock out all power supplying this device before working on this device. Replace all covers before power supplying this device is turned on.	Desenergice totalmente antes de instalar o darle servicio. Reemplace todas las barreras y cubiertas antes de energizar el interruptor.	Couper l'alimentation de l'appereil erer avant de travailler. Remplacez toutes les couvertures avant que l'approvisionnement de pouvoir soit alimenté.

Contents



- Item 1, Breaker Operator Assembly, 1X
- Item 2, Clip support bracket, 2X
- Item 3, Shaft support bracket, 1X
- Item 4, #8-32 x .312 inch button head screw, 6X
- Item 5, #8 Lock washer, 6X
- Item 6, Instruction sheet, 1X

Other catalog numbers required for complete assembly:

Type 3/3R

- RHOH - handle operator length 6.69 inch (169.93 mm) or:
- RHOHC - handle operator lenth 4.08 inch (103.63 mm)
- RHOSSD - shaft assembly 2 inch (50.8 mm) or
- RHOSVD - shaft assembly 12 inch (304.8 mm) or
- RHOSXD - shaft assembly 16 inch (406.4 mm)

Type 4/4X

- RHOH4 - handle operator length 6.69 inch (169.93 mm) or:
- RHOH4C - handle operator lenth 4.08 inch (103.63 mm)
- RHOSSD - shaft assembly 2 inch (50.8 mm) or
- RHOSVD - shaft assembly 12 inch (304.8 mm) or
- RHOSXD - shaft assembly 16 inch (406.4 mm)

Type 1, 12

- CRHOH - handle operator length 4.02 inch (102.11 mm)
- RHOSSD - shaft assembly 2 inch (50.8 mm) or
- RHOSVD - shaft assembly 12 inch (304.8 mm) or
- RHOSXD - shaft assembly 16 inch (406.4 mm)

1. Circuit Breaker Preparation

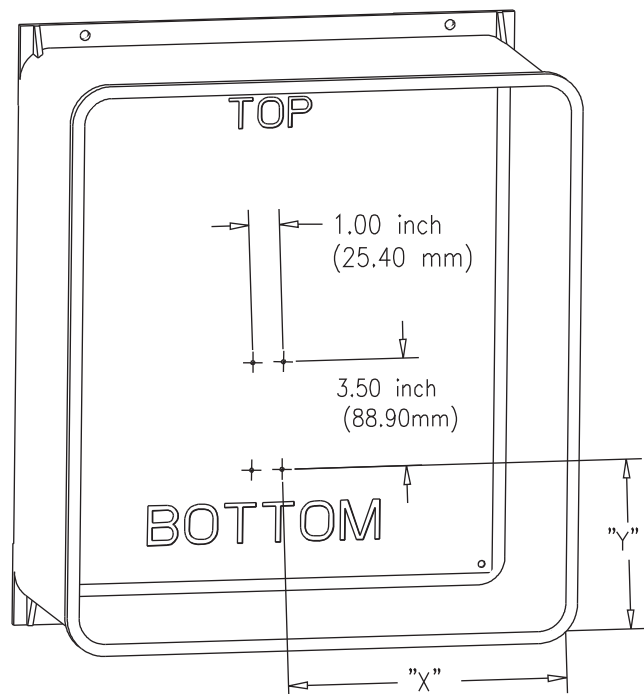
- Ensure that the circuit breaker is in the OFF/"O" position.
- Turn off and lockout all power supplying this device.
- Ensure that NO voltage is present before proceeding with this task.


2. Minimum wire bending space based on:

- 2005 NEC (Article 312.6B) requirement.

3. Mounting Breaker location.

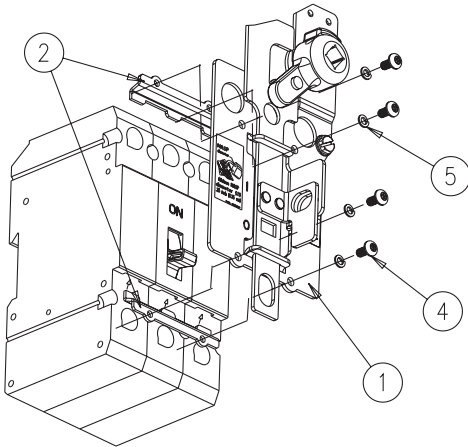
- Mount the circuit breaker in the enclosure considering minimum wire bending space.
- Clearance of 2-1/2 inch (63.5 mm) minimum beyond foot print of circuit breaker on top (on) side for device.



	⚠ DANGER Hazardous Voltage. Will cause death or serious injury.	⚠ PELIGRO Tensión Peligrosa. Puede causar la muerte o lesiones graves.	⚠ DANGER Tension Dangereuse. Danger de mort ou de blessures graves.
	Turn off and lock out all power supplying this device before working on this device. Replace all covers before power supplying this device is turned on.	Desenergice totalmente antes de instalar o darle servicio. Reemplace todas las barreras y cubiertas antes de energizar el interruptor.	Couper l'alimentation de l'appareil erer avant de travailler. Remplacez toutes les couvertures avant que l'alimentation de pouvoir soit alimenté.

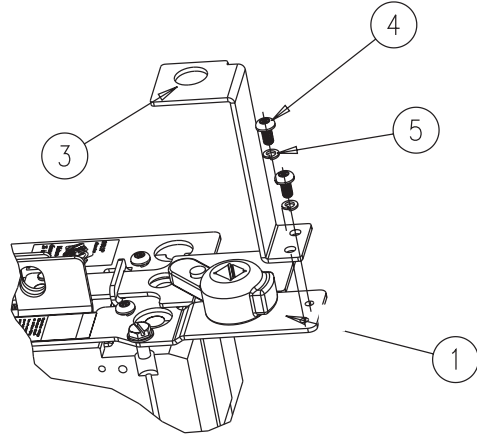
Installation Instructions

4. Mounting Breaker Operator Assembly.



- Place item 2 (clip support) into slots of breaker as shown.
- Place item 1 (breaker operator assembly) onto items 2.
- Engage (loose fit, 4 places) item 5 (#8 lock washer) and item 4 (#8 screw) into item 2. Then torque screws to 20 ± 1 lb-inches (2.26 Nm), 4 places.

4A. Mounting Shaft Bracket onto Breaker Operator Assembly.



- Place item 3 as shown (shaft support bracket) onto item 1 (breaker operator assembly).
- Engage (loose fit, 2 places) item 5 (#8 lock washer) and item 4 (#8 screw) into item 1 through item 3. Then, torque screws to 20 ± 1 lb-inches (2.26 Nm), 2 places.

5. Handle Operator Location.

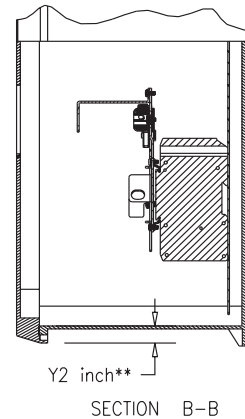
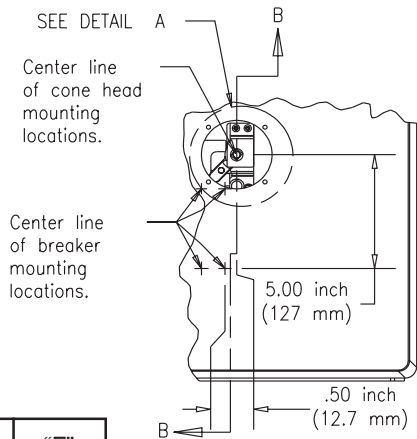
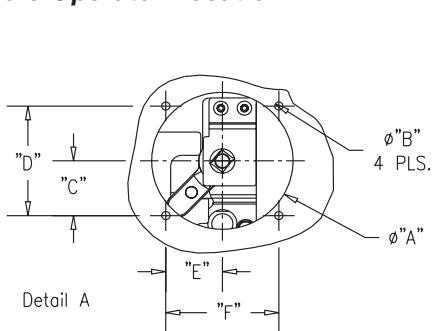
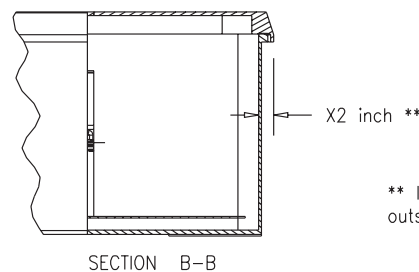


Table in "inch [mm]"

	"A"	"B"	"C"	"D"	"E"	"F"
CRHOH	3.00 [76.2]	1.75 [4.44]	1.20 [30.5]	2.40 [60.9]	1.20 [30.5]	2.40 [60.9]
RHOH (4)	3.50 [88.9]	.281 [7.14]	1.59 [40.38]	3.18 [80.77]	1.59 [40.38]	3.18 [40.38]

- Use breaker location "X" & "Y." See step "3" on page 1.
- ["X" - .50 inch (12.7 mm)] + X2 inch =
- ["Y" - 5.00 inch (127 mm)] + Y2 inch =

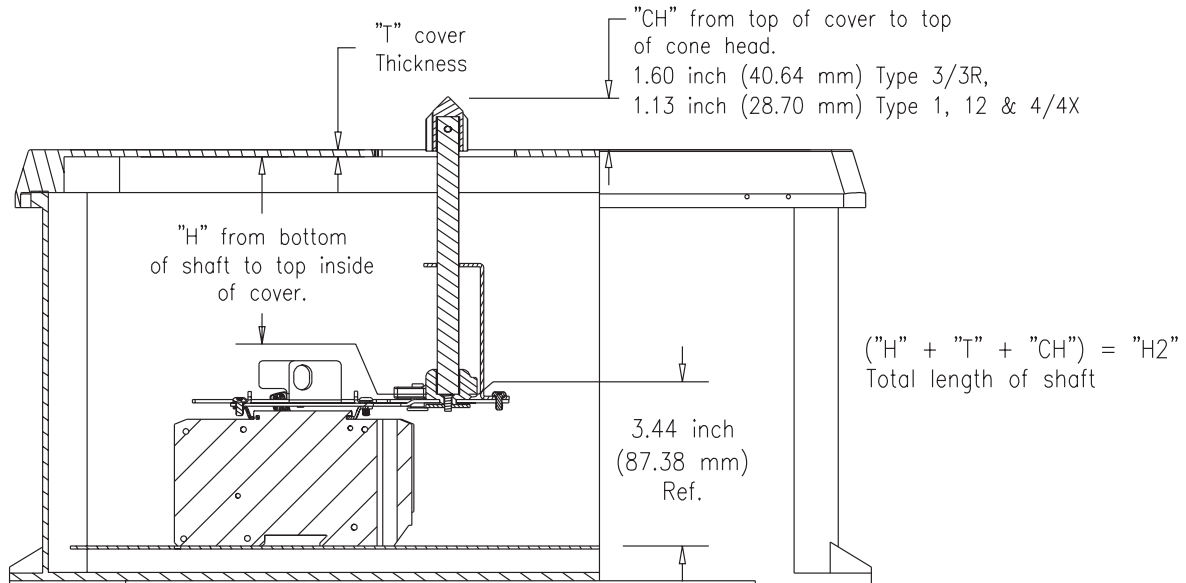


** Inside of box to outside of cover.

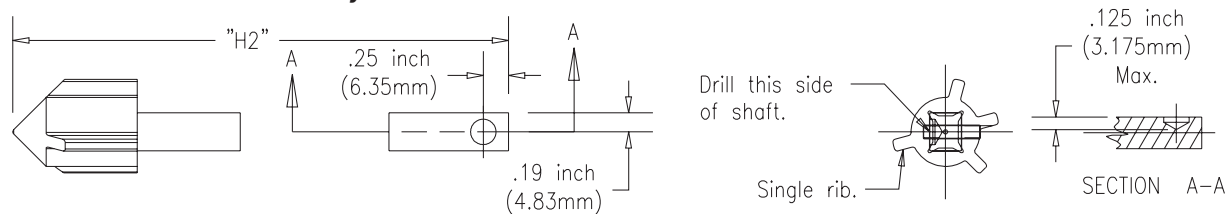
	⚠ DANGER	⚠ PELIGRO	⚠ DANGER
	Hazardous Voltage. Will cause death or serious injury.	Tensión Peligrosa. Puede causar la muerte o lesiones graves.	Tension Dangereuse. Danger de mort ou de blessures graves.
	Turn off and lock out all power supplying this device before working on this device. Replace all covers before power supplying this device is turned on.	Desenergice totalmente antes de instalar o darle servicio. Reemplace todas las barreras y cubiertas antes de energizar el interruptor.	Couper l'alimentation de l'appareil erer avant de travailler. Remplacez toutes les couvertures avant que l'alprovisionnement de pouvoir soit alimenté.

Installation Instructions

6. Determine Shaft Assembly Length.



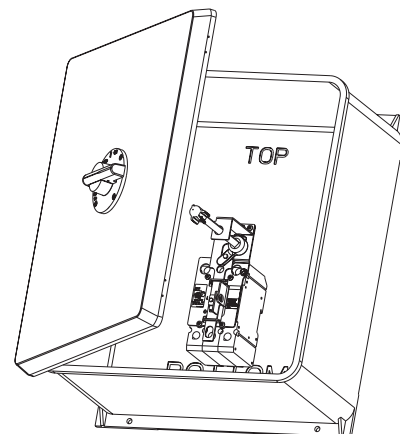
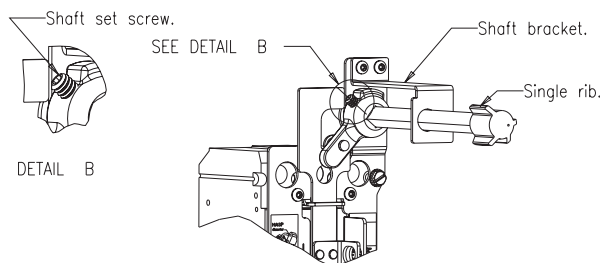
7. Cut and Drill Shaft Assembly.




- Cut shaft to desired length, "H2."
- Use 1/4 inch (6.35 mm) drill bit to place hole into shaft (hole to be drilled on same side as single rib on cone head).

8. Assembly for Set Screw Shaft Assembly.

Completed Breaker Operator Assembly



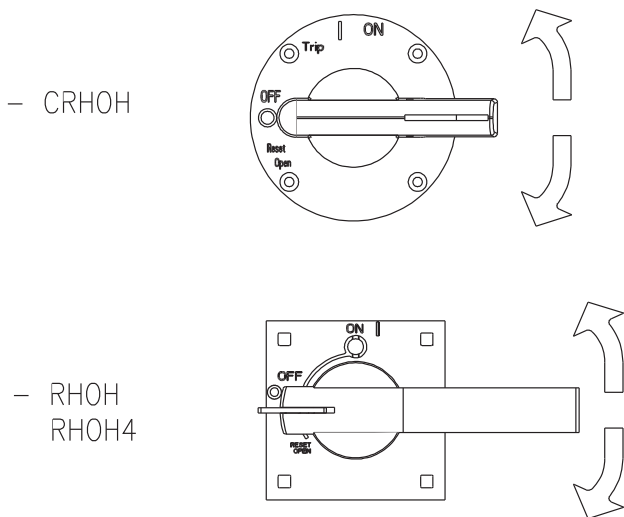
- Place shaft assembly down through shaft bracket as shown.
- Back out shaft set screw. Insert shaft into actuator, secure with shaft set screw, torque the set screw to 70 lb-inches (7.91 Nm).

	⚠ DANGER Hazardous Voltage. Will cause death or serious injury.	⚠ PELIGRO Tensión Peligrosa. Puede causar la muerte o lesiones graves.	⚠ DANGER Tension Dangereuse. Danger de mort ou de blessures graves.
	Turn off and lock out all power supplying this device before working on this device. Replace all covers before power supplying this device is turned on.	Desenergice totalmente antes de instalar o darle servicio. Reemplace todas las barreras y cubiertas antes de energizar el interruptor.	Couper l'alimentation de l'appareil et avant de travailler. Remplacez toutes les couvertures avant que l'alimentation de pouvoir soit alimenté.

Installation Instructions

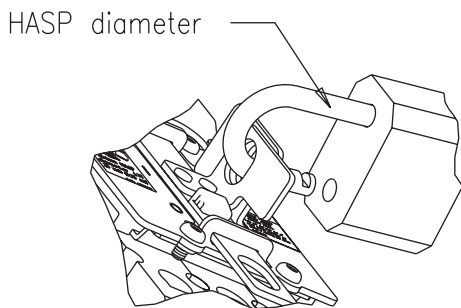
9. Closing of Cover.

Type1, 12, 3/3R, 4/4X



NOTE: For type 4 & 4X use RHOH4 only.

- Once the cone head has started to engage with handle operator, handle may be required to be rotated slowly until ribs of shaft assembly and handle operator align up.
- Once aligned, the cover can be closed and secured.



Minimum HASP diameter (Ø)
.25 inch (6.35 mm)

Dimensions for Mounting Breaker.

