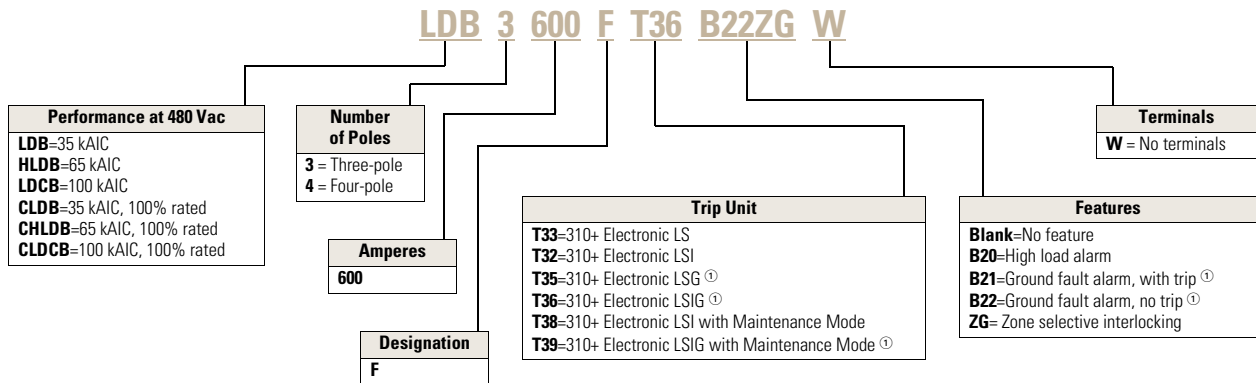
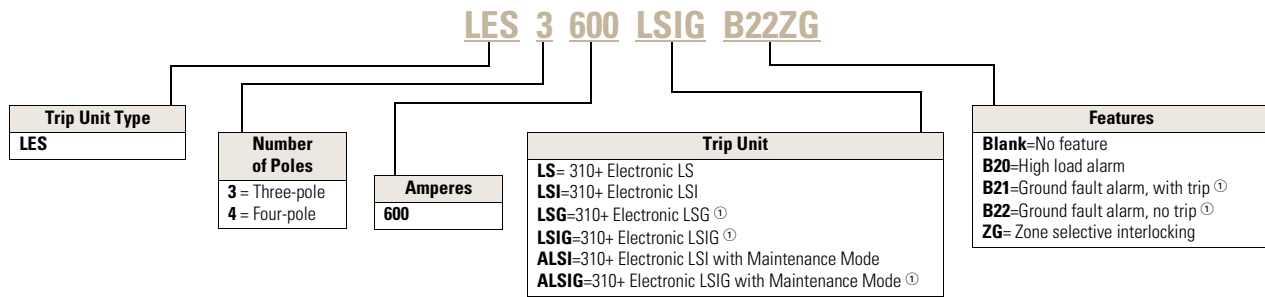


**LD-Frame with 310+ Electronic Trip Unit Technology**

**310+ Circuit Breakers**

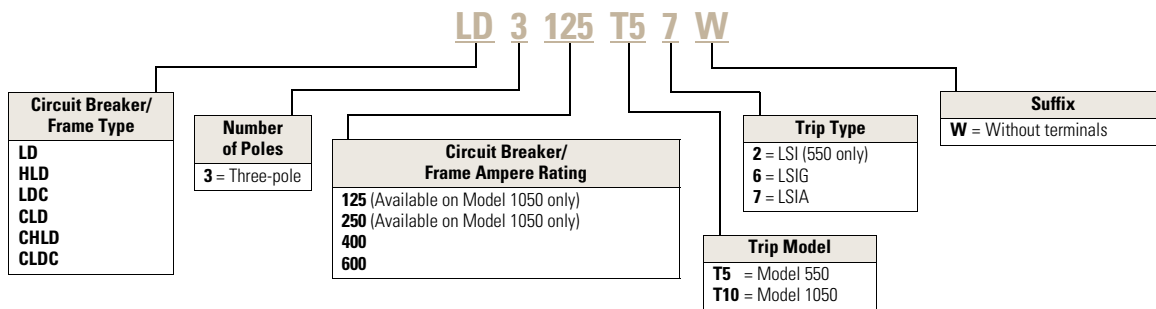


**310+ Electronic Trip Units ②**



**LD-Frame with OPTIM Electronic Trip Unit Technology**

**OPTIM Circuit Breakers**



**Notes**

- ① Not available in four-pole configurations.
- ② Frames are the same for thermal-magnetic or 310+ electronic trip units, e.g., LD3600F, HLD3600F, etc.

**Types LD, HLD and LDC Electronic Circuit Breakers with Interchangeable Trip Units**

Order as individual components: breaker frame, trip unit and terminals. See 310+ adjustability specifications on **Page V4-T2-286**.

**Types LD, HLD and LDC Electronic Circuit Breakers with Interchangeable 310+ Trip Units**

Maximum Continuous Ampere Rating at 40 °C	Circuit Breaker Frame Only			Digitrip RMS 310+ Trip Unit Only ①				Neutral CT for LSG and LSI ②③	Terminal Information
	Standard Interrupting Capacity 600 Vac Rated 35 kAIC at 480 Vac	High Interrupting Capacity 600 Vac Rated 65 kAIC at 480 Vac	Ultra High Interrupting Capacity Current Limiting 600 Vac Rated 100 kAIC at 480 Vac	Standard LS	Optional LSI	LSG	LSIG		
	Catalog Number			Adjustable Short Time Pickup with I <sup>2</sup> t Short Delay Ramp	Independently Adjustable Short Time Pickup and Delay	Adjustable Short Time Pickup with I <sup>2</sup> t Short Delay and Ground Fault Protection	Independently Adjustable Short Time Pickup and Ground Fault Protection		
<b>Three-Pole</b>									
600	LD3600F	HLD3600F	LDC3600F	LES3600LS	LES3600LSI	LES3600LSG	LES3600LSIG	LGFACT600	See Page V4-T2-284
<b>Four-Pole ④</b>									
600	LD4600F	HLD4600F	LDC4600F	LES4600LS	LES4600LSI	—	—	—	See Page V4-T2-284

**Types LDB, HLDB and LDCB Electronic Circuit Breakers with Non-Interchangeable 310+ Electronic Trip Units Suitable for Reverse Feed**

See 310+ adjustability specifications on **Page V4-T2-286**.

**Circuit Breaker Frame Including Digitrip RMS 310+ Electronic Trip Unit Less Terminals**  
**Types LDB, HLDB and LDCB with Digitrip 310+ Non-Interchangeable Trip Units**

Maximum Continuous Ampere Rating at 40 °C	Number of Poles	Factory Assembled Circuit Breaker Consisting of Frame and Trip Unit Less Terminals ①				Neutral CT for LSG and LSI ②③	Terminal Information
		Standard LS	Optional LSI	LSG	LSIG		
		Adjustable Short Time Pickup with I <sup>2</sup> t Short Delay Ramp	Independently Adjustable Short Time Pickup and Delay	Adjustable Short Time Pickup with I <sup>2</sup> t Short Delay and Ground Fault Protection	Independently Adjustable Short Time Pickup and Ground Fault Protection		
		Catalog Number					
600	3	LDB3600FT33W	LDB3600FT32W	LDB3600FT35W	LDB3600FT36W	LGFACT600	See Page V4-T2-284
600	3	HLDB3600FT33W	HLDB3600FT32W	HLDB3600FT35W	HLDB3600FT36W		
600	3	LDCB3600FT33W	LDCB3600FT32W	LDCB3600FT35W	LDCB3600FT36W		

**100% Rated Types CLD, CHLD and CLDC Electronic Circuit Breakers with Interchangeable Trip Units**

The NEC allows the breaker to be rated at 100% of its frame size in an assembly, provided that 90 °C wire is applied at the 75 °C ampacity. All 100% rated circuit breakers have electronic trip units. Order as individual components: breaker frame, trip unit and terminals. See 310+ adjustability specifications on **Page V4-T2-286**.

**100% Rated Types CLD, CHLD and CLDC Electronic Circuit Breakers with 310+ Interchangeable Trip Units**

Maximum Continuous Ampere Rating at 40 °C	Circuit Breaker Frame Only			Digitrip RMS 310+ Trip Unit Only				Neutral CT for LSG and LSI ②③	Terminal Information
	Standard Interrupting Capacity 600 Vac Rated 35 kAIC at 480 Vac	High Interrupting Capacity 600 Vac Rated 65 kAIC at 480 Vac	Ultra High Interrupting Capacity Current Limiting 600 Vac Rated 100 kAIC at 480 Vac	Standard LS	Optional LSI	LSG	LSIG		
	Catalog Number			Adjustable Short Time Pickup with I <sup>2</sup> t Short Delay Ramp	Independently Adjustable Short Time Pickup and Delay	Adjustable Short Time Pickup with I <sup>2</sup> t Short Delay and Ground Fault Protection	Independently Adjustable Short Time Pickup and Ground Fault Protection		
<b>Three-Pole</b>									
600	CLD3600F	CHLD3600F	CLDC3600F	LES3600LS	LES3600LSI	LES3600LSG	LES3600LSIG	LGFACT600	See Page V4-T2-284

**Notes**

- ① For AC use only.
- ② Required for four-wire systems if neutral protection is desired.
- ③ Included with LSG and LSI trip units.
- ④ Neutral is in right pole.

## Technical Data and Specifications

2

UL 489 Interrupting Capacity Ratings <sup>①</sup>

Circuit Breaker Type	Number of Poles	Interrupting Capacity (kA rms Symmetrical Amperes)					
		Volts AC (50/60 Hz)				Volts DC	
		240	277	480	600	125	250 <sup>②③</sup>
LDB	2, 3	65	—	35	25	—	22
LD	2, 3, 4	65	—	35	25	—	22
CLD <sup>④</sup>	2, 3, 4	65	—	35	25	—	—
HLD, HLDB	2, 3, 4	100	—	65	35	—	25
CHLD <sup>④</sup>	2, 3, 4	100	—	65	35	—	—
LDC, LDCB <sup>⑤</sup>	2, 3, 4	200	—	100	50	—	30
CLDC <sup>④⑤</sup>	2, 3, 4	200	—	100	50	—	—

IEC 947-2 Interrupting Capacity Ratings <sup>①</sup>

Circuit Breaker Type	Number of Poles	Interrupting Capacity (kA Symmetrical Amperes)							
		Volts AC (50/60 Hz)				Volts DC			
		240		415		690		250 <sup>②③</sup>	
		$I_{cu}$	$I_{cs}$	$I_{cu}$	$I_{cs}$	$I_{cu}$	$I_{cs}$	$I_{cu}$	$I_{cs}$
LDB	2, 3	85	85	45	45	20	10	20	10
LD	2, 3, 4	85	85	45	45	20	10	20	10
CLD <sup>④</sup>	2, 3, 4	85	85	45	45	20	10	—	—
HLD, HLDB	2, 3, 4	100	100	70	70	25	13	20	10
CHLD <sup>④</sup>	2, 3, 4	100	100	70	70	25	13	—	—
LDC, LDCB	2, 3, 4	200	100	100	75	35	18	20	10
CLDC <sup>④</sup>	2, 3, 4	200	100	100	75	35	18	—	—

## UL 489 Current Limiting Data

Frame	Circuit	$I_p$ (kA)	$I^2T$ ( $10^6 A^2S$ )
LDC	240 V/200 kA	64.80	6.80
LDC	480 V/100 kA	66.90	9.33
LDC	600 V/50 kA	54.30	8.92

## Notes

- ① Utilization Category A circuit breakers.
- ② L/R = 8 milliseconds minimum.
- ③ Two-pole circuit breaker or two poles of three-pole circuit breaker. Incorporating thermal-magnetic trip unit only.
- ④ 100% rated breakers.
- ⑤ Current limiting.