

# Product data sheet

Specifications



Circuit breaker, PowerPact B, 40A, 3 pole, 600Y/347VAC, 25kA, I-Line, thermal magnetic, 80%, ABC

BJA36040

## Main

Range	PowerPact
Product name	PowerPact B
Device short name	BJ 040
Product or component type	Circuit breaker
Device application	Distribution

## Complementary

[In] rated current	40 A
Number of Poles	3P
Control type	Toggle
Breaking capacity code	J
Breaking capacity	100 kA 208Y/120 V AC 50/60 Hz UL 489 100 kA 240 V AC 50/60 Hz UL 489 65 kA 480/277 V AC 50/60 Hz UL 489 65 kA 480 V AC 50/60 Hz UL 489 25 kA 600Y/347 V AC 50/60 Hz UL 489 50 kA 250 V DC UL 489
[Ue] rated operational voltage	690 V AC 50/60 Hz UL 489
Network frequency	50/60 Hz
[Ics] rated service breaking capacity	100 kA 220...240 V AC 50/60 Hz IEC 60947-2 25 kA 500...525 V AC 50/60 Hz IEC 60947-2 2.5 kA 690 V AC 50/60 Hz IEC 60947-2 65 kA 380...415 V AC 50/60 Hz IEC 60947-2 65 kA 440 V AC 50/60 Hz IEC 60947-2
[Uimp] rated impulse withstand voltage	8 kV IEC 60947-2
Trip unit technology	Thermal-magnetic
Continuous current rating	80 %
[Ui] rated insulation voltage	800 V IEC 60947-2
Suitability for isolation	Yes IEC 60947-2
Utilisation category	Category A
Mechanical durability	20000 cycles IEC 947-1 Annex K ed 5.2
Electrical durability	10000 cycles IEC 947-1 Annex K ed 5.2 440 V In
Connection pitch	1.06 in (27 mm)

<b>AWG gauge</b>	AWG 14...AWG 2/0 aluminum/copper
<b>Local signalling</b>	Presence of auxiliary contacts flag green)
<b>Mounting mode</b>	I-Line
<b>Electrical connection</b>	I-Line connection line Lugs load
<b>Mounting height</b>	4.49 in (114 mm)
<b>Tightening torque</b>	31.86...38.94 lbf.in (3.6...4.4 N.m) 0.00...0.01 in <sup>2</sup> (2.5...6 mm <sup>2</sup> ) AWG 14...AWG 10) 44.25...54.87 lbf.in (5...6.2 N.m) 0.02...0.11 in <sup>2</sup> (10...70 mm <sup>2</sup> ) AWG 8...AWG 2/0)
<b>Number of slots</b>	1 auxiliary switch OF plug-in) 1 voltage release MN or MX plug-in) 1 alarm switch SD plug-in)
<b>Power wire stripping length</b>	0.79 in (20 mm)
<b>Color</b>	Grey RAL 7016)
<b>9 mm pitches</b>	9
<b>Height</b>	5.39 in (137 mm)
<b>Width</b>	3.19 in (81 mm)
<b>Depth</b>	3.50 in (89 mm)
<b>Net weight</b>	2.90 lb(US) (1.315 kg)
<b>Quantity per set</b>	Set of 1
<b>Phase connection</b>	ABC
<b>Circuit breaker application</b>	HACR rated

## Environment

<b>Quality labels</b>	CE
<b>Standards</b>	NEMA AB1 CSA C22.2 No 5 UL 489 NMX J-266 EN/IEC 60947-5-1 GB 14048.2 EN/IEC 60947-2
<b>Product certifications</b>	UL IEC CCC EAC CSA NOM
<b>IP degree of protection</b>	Front cover IP40 IEC 60529
<b>IK degree of protection</b>	IK07 IEC 62262
<b>Pollution degree</b>	3 IEC 60947-1
<b>Ambient air temperature for operation</b>	-13...158 °F (-25...70 °C)
<b>Ambient air temperature for storage</b>	-58...185 °F (-50...85 °C)
<b>Operating altitude</b>	< 2000 m without derating 5000 m with derating

## Packing Units

<b>Unit Type of Package 1</b>	PCE
<b>Number of Units in Package 1</b>	1
<b>Package 1 Height</b>	4.88 in (12.4 cm)
<b>Package 1 Width</b>	8.11 in (20.6 cm)
<b>Package 1 Length</b>	12.72 in (32.3 cm)

---

**Package 1 Weight** 4.17 lb(US) (1.89 kg)

## Offer Sustainability

---

**Sustainable offer status** Green Premium product

---

**REACH Regulation** [REACH Declaration](#)

---

**EU RoHS Directive** Compliant  
[EU RoHS Declaration](#)

---

**Mercury free** Yes

---

**China RoHS Regulation** [China RoHS declaration](#)  
Product out of China RoHS scope. Substance declaration for your information

---

**RoHS exemption information** [Yes](#)

---

**Environmental Disclosure** [Product Environmental Profile](#)

---

**WEEE** The product must be disposed on European Union markets following specific waste collection and never end up in rubbish bins

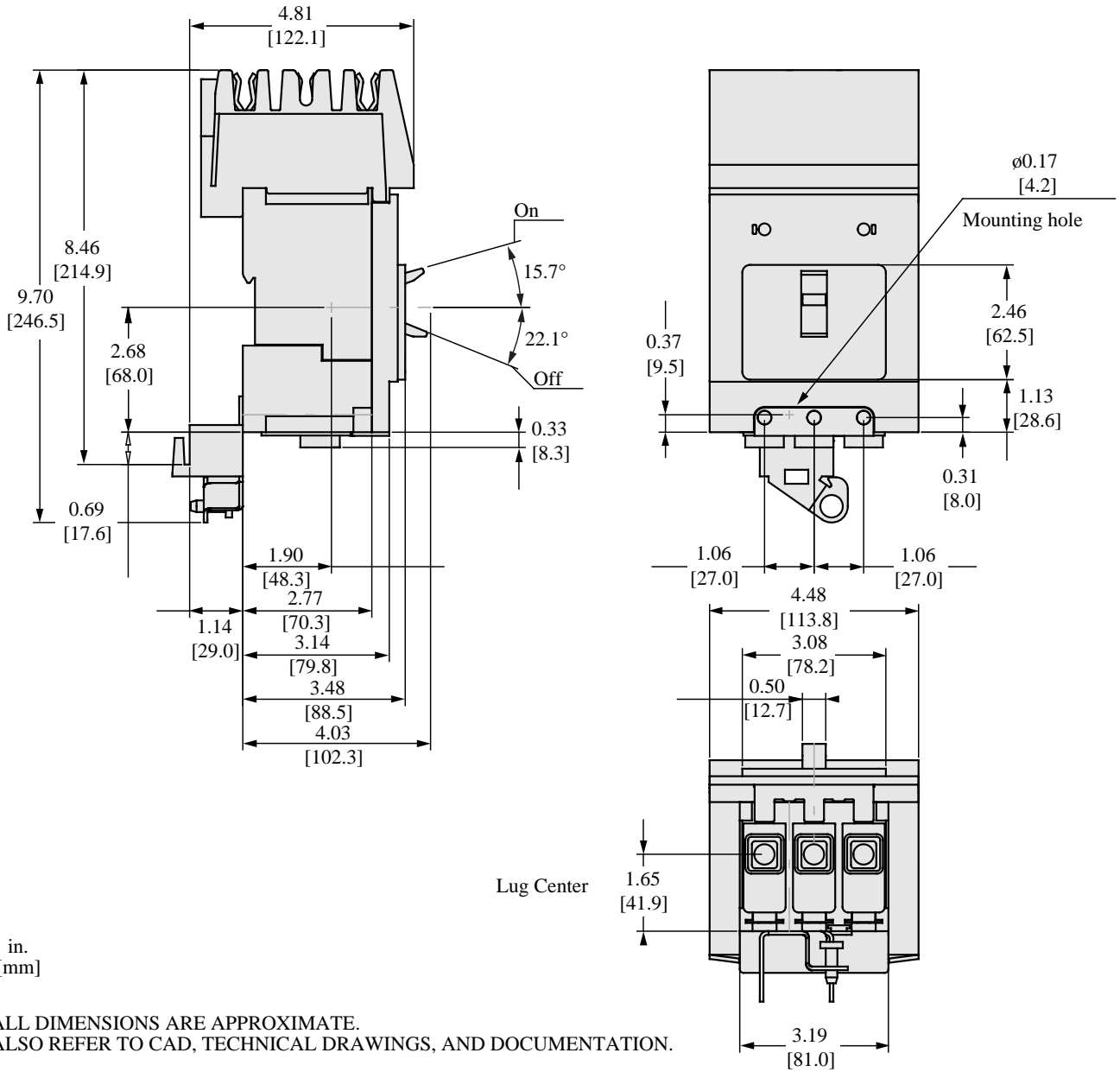
---

**PVC free** Yes

---

**Halogen content performance** Halogen free product

Dimensions



Recommended replacement(s)