

Product data sheet

Specifications



Circuit breaker, PowerPact B, 20A, 3 pole, 600Y/347VAC, 25kA, I-Line, thermal magnetic, 80%, ABC

BJA36020

Main

Range	PowerPact
Product name	PowerPact B
Device short name	BJ 020
Product or component type	Circuit breaker
Device application	Distribution

Complementary

[In] rated current	20 A
Number of Poles	3P
Control type	Toggle
Breaking capacity code	J
Breaking capacity	100 kA 208Y/120 V AC 50/60 Hz UL 489 100 kA 240 V AC 50/60 Hz UL 489 65 kA 480/277 V AC 50/60 Hz UL 489 65 kA 480 V AC 50/60 Hz UL 489 25 kA 600Y/347 V AC 50/60 Hz UL 489 50 kA 250 V DC UL 489
[Ue] rated operational voltage	690 V AC 50/60 Hz UL 489
Network frequency	50/60 Hz
[Ics] rated service breaking capacity	100 kA 220...240 V AC 50/60 Hz IEC 60947-2 25 kA 500...525 V AC 50/60 Hz IEC 60947-2 2.5 kA 690 V AC 50/60 Hz IEC 60947-2 65 kA 380...415 V AC 50/60 Hz IEC 60947-2 65 kA 440 V AC 50/60 Hz IEC 60947-2
[Uimp] rated impulse withstand voltage	8 kV IEC 60947-2
Trip unit technology	Thermal-magnetic
Continuous current rating	80 %
[Ui] rated insulation voltage	800 V IEC 60947-2
Suitability for isolation	Yes IEC 60947-2
Utilisation category	Category A
Mechanical durability	20000 cycles IEC 947-1 Annex K ed 5.2
Electrical durability	10000 cycles IEC 947-1 Annex K ed 5.2 440 V In
Connection pitch	1.06 in (27 mm)

AWG gauge	AWG 14...AWG 2/0 aluminum/copper
Local signalling	Presence of auxiliary contacts flag green)
Mounting mode	I-Line
Electrical connection	I-Line connection line Lugs load
Mounting height	4.49 in (114 mm)
Tightening torque	31.86...38.94 lbf.in (3.6...4.4 N.m) 0.00...0.01 in ² (2.5...6 mm ²) AWG 14...AWG 10) 44.25...54.87 lbf.in (5...6.2 N.m) 0.02...0.11 in ² (10...70 mm ²) AWG 8...AWG 2/0)
Number of slots	1 auxiliary switch OF plug-in) 1 voltage release MN or MX plug-in) 1 alarm switch SD plug-in)
Power wire stripping length	0.79 in (20 mm)
Color	Grey RAL 7016)
9 mm pitches	9
Height	5.39 in (137 mm)
Width	3.19 in (81 mm)
Depth	3.50 in (89 mm)
Net weight	2.90 lb(US) (1.315 kg)
Quantity per set	Set of 1
Phase connection	ABC
Circuit breaker application	HACR rated

Environment

Quality labels	CE
Standards	NEMA AB1 GB 14048.2 NMX J-266 EN/IEC 60947-2 UL 489 EN/IEC 60947-5-1 CSA C22.2 No 5
Product certifications	UL IEC CCC EAC CSA NOM
IP degree of protection	Front cover IP40 IEC 60529
IK degree of protection	IK07 IEC 62262
Pollution degree	3 IEC 60947-1
Ambient air temperature for operation	-13...158 °F (-25...70 °C)
Ambient air temperature for storage	-58...185 °F (-50...85 °C)
Operating altitude	< 2000 m without derating 5000 m with derating

Packing Units

Unit Type of Package 1	PCE
Number of Units in Package 1	1
Package 1 Height	4.88 in (12.4 cm)
Package 1 Width	8.11 in (20.6 cm)
Package 1 Length	12.80 in (32.5 cm)

Package 1 Weight 4.10 lb(US) (1.86 kg)

Offer Sustainability

Sustainable offer status Green Premium product

REACH Regulation [REACH Declaration](#)

EU RoHS Directive Compliant
[EU RoHS Declaration](#)

Mercury free Yes

China RoHS Regulation [China RoHS declaration](#)
Product out of China RoHS scope. Substance declaration for your information

RoHS exemption information [Yes](#)

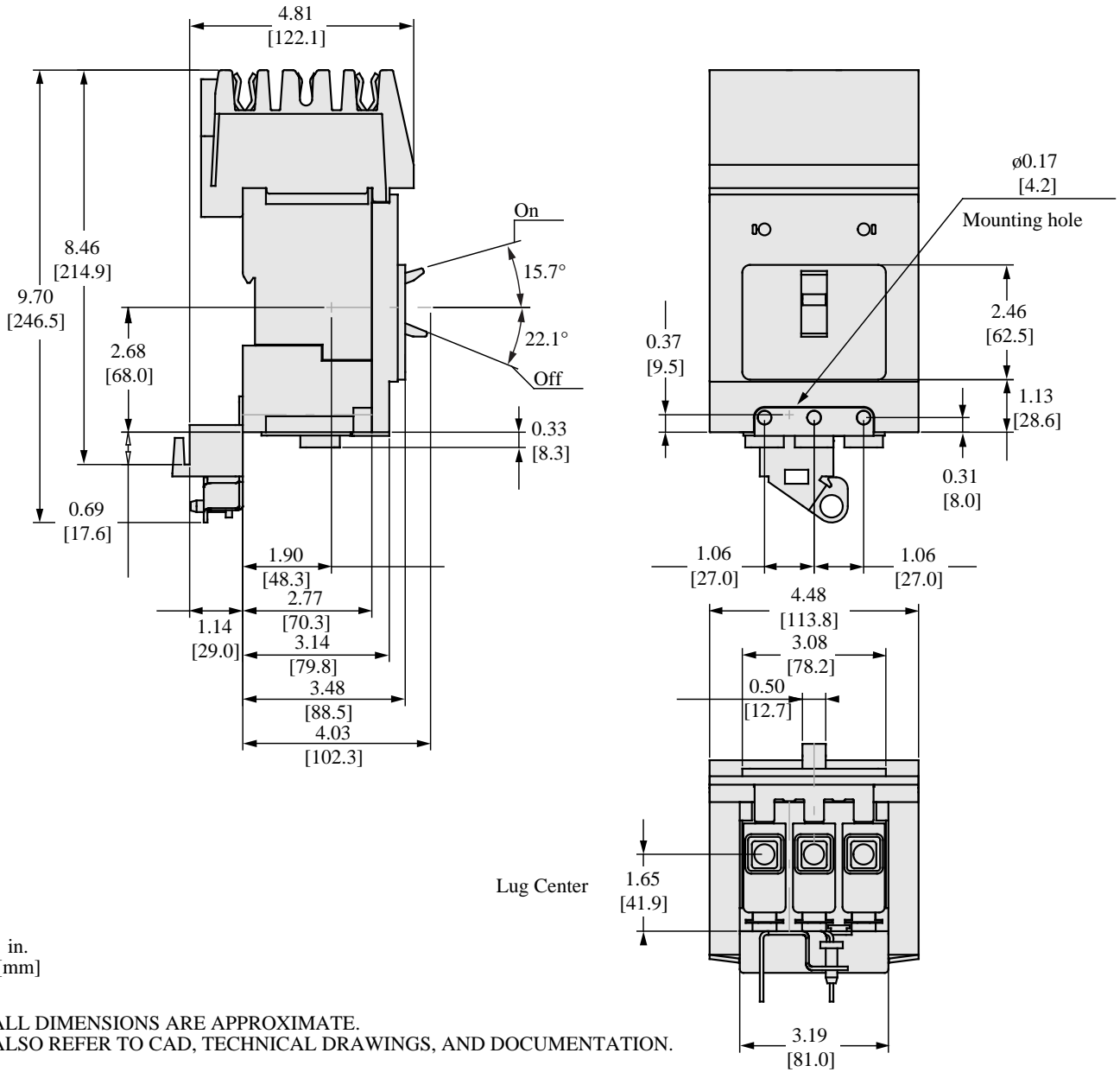
Environmental Disclosure [Product Environmental Profile](#)

WEEE The product must be disposed on European Union markets following specific waste collection and never end up in rubbish bins

PVC free Yes

Halogen content performance Halogen free product

Dimensions



Recommended replacement(s)