

## Installation Instructions for Circuit Breaker Lockdog for 2-Pole Type BR Circuit Breaker

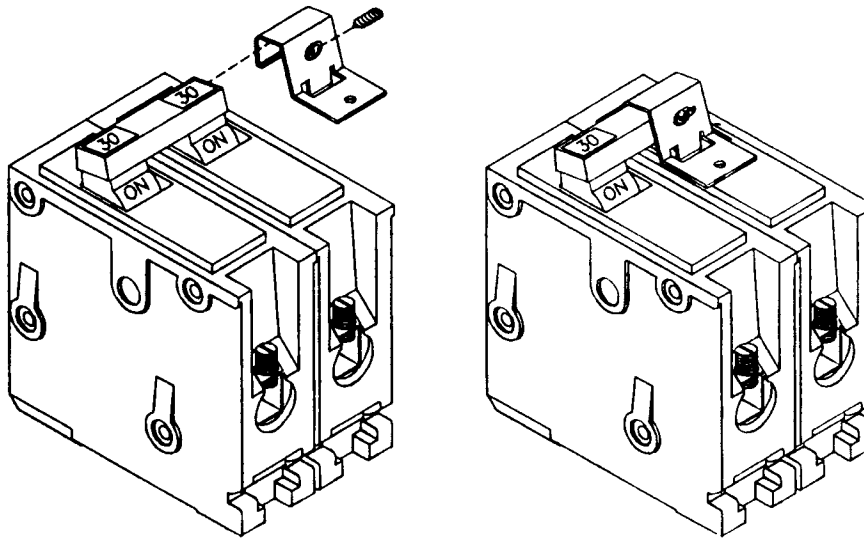


I.L. 2A92489  
File 29-000

CATALOG: **BHLW2**

USED TO PROVIDE TAMPER-RESISTANT PROTECTION FOR TWO POLE AND THREE POLE BREAKERS. THE DEVICE HOLDS THE BREAKER IN THE "ON" OR "OFF" POSITION, BUT DOES NOT AFFECT THE TRIP FUNCTION OF THE BREAKER.

TO INSTALL: SLIDE LOCKDOG OVER BREAKER HANDLE TIE. CENTER ON HANDLE AND TIGHTEN SETSCREW.



**Cutler-Hammer**  
Westinghouse &  
Cutler-Hammer Products  
Five Parkway Center  
Pittsburgh, Pennsylvania, U.S.A. 15220

Effective July 1994