

Installation Instructions for Ground Breaker Lockdog for 1-Pole Type BR Circuit Breaker

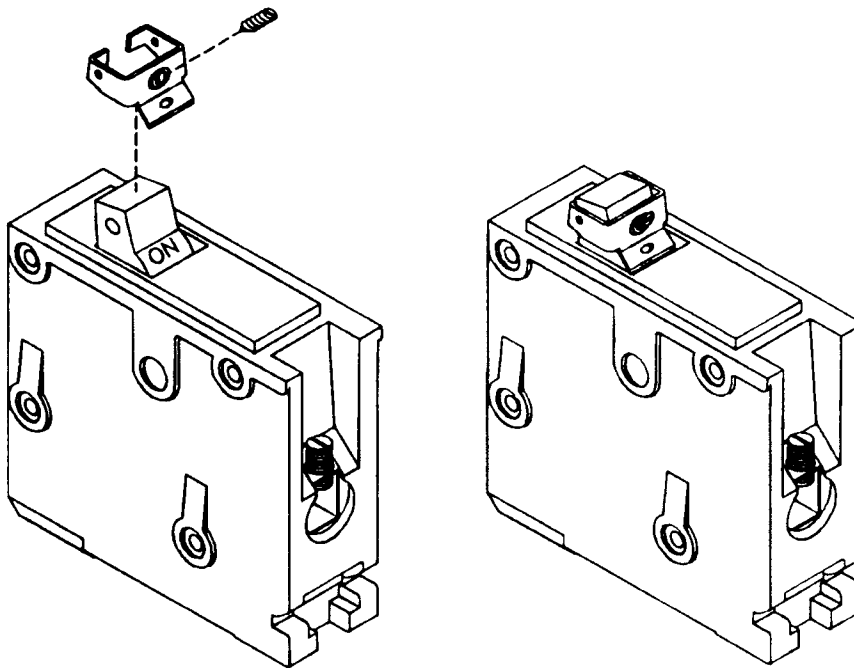


I.L. 2A92487
File 29-000

CATALOG: **BHLW1**
REPLACES: BHLW

USED TO PROVIDE TAMPER-RESISTANT PROTECTION. THE DEVICE HOLDS THE BREAKER IN THE "ON" OR "OFF" POSITION, BUT DOES NOT AFFECT THE TRIP FUNCTION OF THE BREAKER.

TO INSTALL: PLACE LOCKDOG OVER BREAKER HANDLE AND TIGHTEN SETSCREW.



Cutler-Hammer
Westinghouse &
Cutler-Hammer Products
Five Parkway Center
Pittsburgh, Pennsylvania, U.S.A. 15220

Effective July 1994