

Product data sheet

Specifications



Circuit breaker, PowerPact B, 25A, 3 pole, 600Y/347VAC, 14kA, I-Line, thermal magnetic, 80%, ABC

BDA36025

Main

Range	PowerPact
Product name	PowerPact B
Device short name	BD 025
Product or component type	Circuit breaker
Device application	Distribution

Complementary

[In] rated current	25 A
Number of Poles	3P
Control type	Toggle
Breaking capacity code	D
Breaking capacity	25 kA 208Y/120 V AC 50/60 Hz UL 489 25 kA 240 V AC 50/60 Hz UL 489 18 kA 480/277 V AC 50/60 Hz UL 489 18 kA 480 V AC 50/60 Hz UL 489 14 kA 600Y/347 V AC 50/60 Hz UL 489 10 kA 250 V DC UL 489
[Ue] rated operational voltage	525 V AC 50/60 Hz UL 489
Network frequency	50/60 Hz
[Ics] rated service breaking capacity	25 kA 220...240 V AC 50/60 Hz IEC 60947-2 14 kA 500...525 V AC 50/60 Hz IEC 60947-2 18 kA 380...415 V AC 50/60 Hz IEC 60947-2 18 kA 440 V AC 50/60 Hz IEC 60947-2
[Uimp] rated impulse withstand voltage	8 kV IEC 60947-2
Trip unit technology	Thermal-magnetic
Continuous current rating	80 %
[Ui] rated insulation voltage	800 V IEC 60947-2
Suitability for isolation	Yes IEC 60947-2
Utilisation category	Category A
Mechanical durability	20000 cycles IEC 947-1 Annex K ed 5.2
Electrical durability	10000 cycles IEC 947-1 Annex K ed 5.2 440 V In
Connection pitch	1.06 in (27 mm)
AWG gauge	AWG 14...AWG 2/0 aluminum/copper

Local signalling	Presence of auxiliary contacts flag green)
Mounting mode	I-Line
Electrical connection	I-Line connection line Lugs load
Mounting height	4.49 in (114 mm)
Tightening torque	31.86...38.94 lbf.in (3.6...4.4 N.m) 0.00...0.01 in ² (2.5...6 mm ²) AWG 14...AWG 10) 44.25...54.87 lbf.in (5...6.2 N.m) 0.02...0.11 in ² (10...70 mm ²) AWG 8...AWG 2/0)
Number of slots	1 auxiliary switch OF plug-in) 1 voltage release MN or MX plug-in) 1 alarm switch SD plug-in)
Power wire stripping length	0.79 in (20 mm)
Color	Grey RAL 7016)
9 mm pitches	9
Height	5.39 in (137 mm)
Width	3.19 in (81 mm)
Depth	3.50 in (89 mm)
Net weight	2.90 lb(US) (1.315 kg)
Quantity per set	Set of 1
Phase connection	ABC
Circuit breaker application	HACR rated

Environment

Quality labels	CE
Standards	NEMA AB1 EN/IEC 60947-5-1 GB 14048.2 CSA C22.2 No 5 EN/IEC 60947-2 NMX J-266 UL 489
Product certifications	UL IEC CCC EAC CSA NOM
IP degree of protection	Front cover IP40 IEC 60529
IK degree of protection	IK07 IEC 62262
Pollution degree	3 IEC 60947-1
Ambient air temperature for operation	-13...158 °F (-25...70 °C)
Ambient air temperature for storage	-58...185 °F (-50...85 °C)
Operating altitude	< 2000 m without derating 5000 m with derating

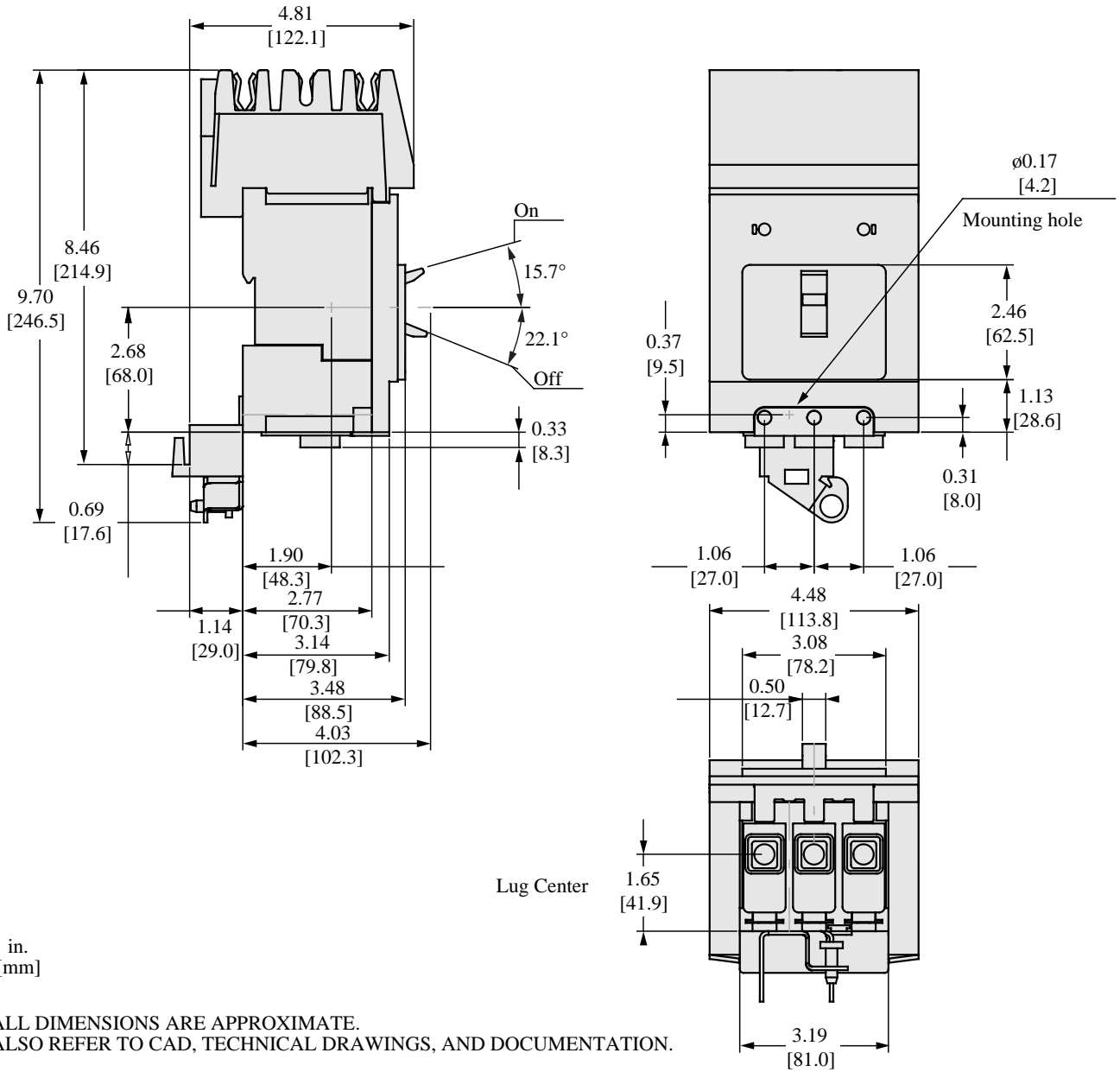
Packing Units

Unit Type of Package 1	PCE
Number of Units in Package 1	1
Package 1 Height	4.88 in (12.4 cm)
Package 1 Width	8.11 in (20.6 cm)
Package 1 Length	12.72 in (32.3 cm)
Package 1 Weight	4.12 lb(US) (1.87 kg)

Offer Sustainability

Sustainable offer status	Green Premium product
REACH Regulation	REACH Declaration
EU RoHS Directive	Compliant EU RoHS Declaration
Mercury free	Yes
China RoHS Regulation	China RoHS declaration Product out of China RoHS scope. Substance declaration for your information
RoHS exemption information	Yes
Environmental Disclosure	Product Environmental Profile
WEEE	The product must be disposed on European Union markets following specific waste collection and never end up in rubbish bins
PVC free	Yes
Halogen content performance	Halogen free product

Dimensions



Recommended replacement(s)