

Product data sheet

Specifications

SQUARE D



NEMA motor starter, Type S, nonreversing, Size 3, 90A, 50 HP at 460VAC, 5kA SCCR, 3 phase, 3 pole, melting alloy, 240VAC coil, open

8536SEO1V03

Main

Product Type	Motor starter
Product Range	S
Starter Type	Non reversing

Complementary

NEMA Size	3
Rated Current	90 A
Number of Poles	3P
Maximum Voltage Rating	600 V AC
Phase	3 phases
Type of Overload	Melting alloy 3
Horsepower Rating	25 HP 200 V AC 30 HP 230 V AC 50 HP 460 V AC 50 HP 575 V AC
SCCR	Circuit-breaker: 5 kA at 600 V AC Fuse: 5 kA at 600 V AC
Coil Voltage	220 V AC 50 Hz 240 V AC 60 Hz
Control Circuit Type	Common control circuit
Control Units	No control units
Pilot Light	Without pilot light
Auxiliary Contacts	Without
Terminal Type	Screw clamp terminals
Height	11.09 in (281.69 mm)
Width	5.47 in (138.94 mm)
Depth	6.50 in (165.10 mm)
Environment	
Enclosure Type	Not rated (open device)
Certifications	UL listed CSA NEMA

Packing Units

Unit Type of Package 1	PCE
Number of Units in Package 1	1
Package 1 Height	7.30 in (18.542 cm)
Package 1 Width	8.70 in (22.098 cm)
Package 1 Length	14.30 in (36.322 cm)
Package 1 Weight	15.73 lb(US) (7.135 kg)

Offer Sustainability

REACH Regulation	REACH Declaration
EU RoHS Directive	Not compliant
China RoHS Regulation	China RoHS declaration Product out of China RoHS scope. Substance declaration for your information

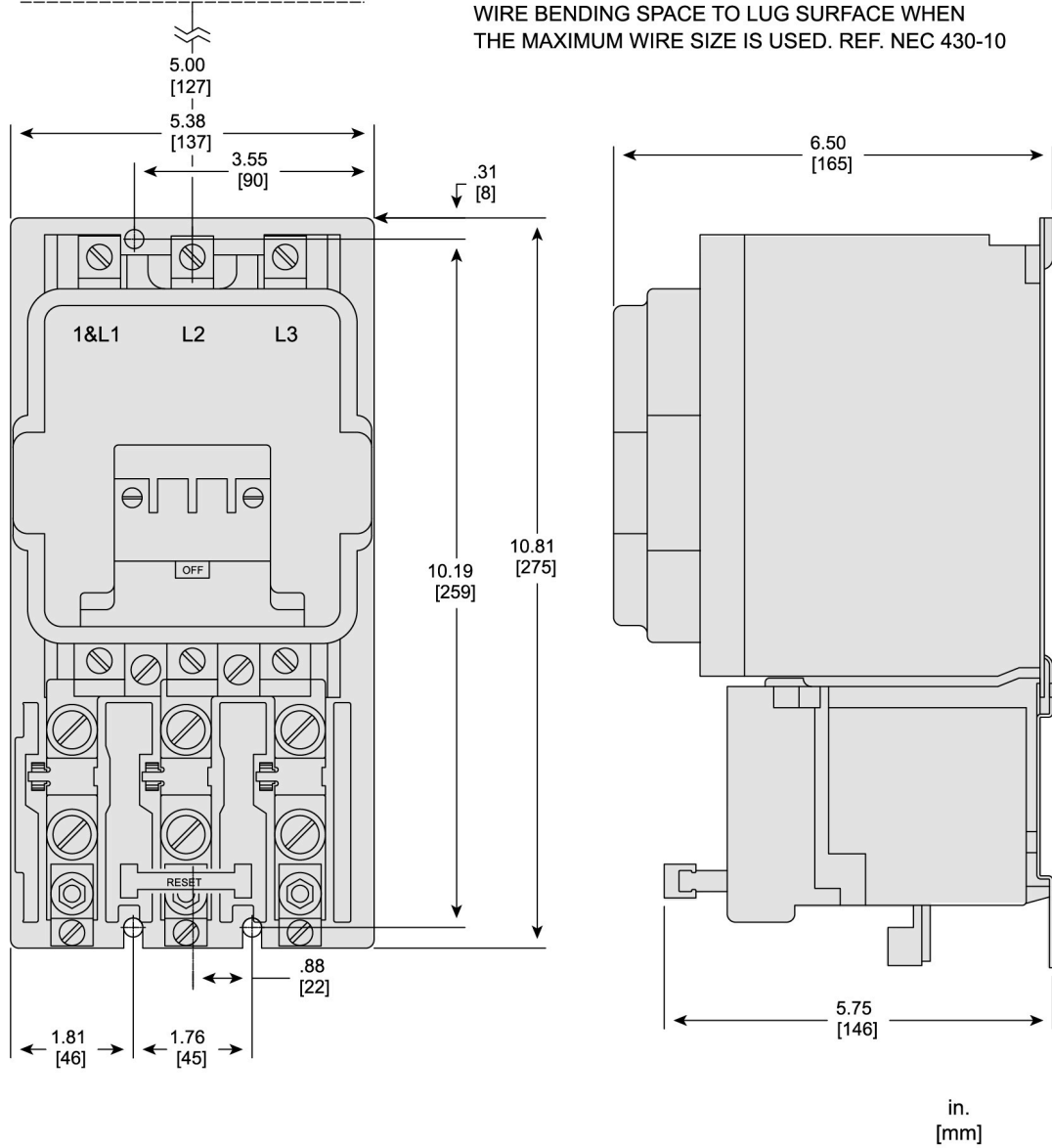
Contractual warranty

Warranty	18 months
----------	-----------

Dimensions

ELECTRICAL CLEARANCE/WIRE BENDING SPACE

MINIMUM TO WALL OR BARRIER TO INSURE ADEQUATE WIRE BENDING SPACE TO LUG SURFACE WHEN THE MAXIMUM WIRE SIZE IS USED. REF. NEC 430-10



ALL DIMENSIONS ARE APPROXIMATE.
 REFER TO CAD AND TECHNICAL DRAWINGS AND DOCUMENTATION FOR COMPLETE INFORMATION.

Recommended replacement(s)