

Product data sheet

Specifications

SQUARE D



NEMA motor starter, Type S, nonreversing, Size 3, 90A, 50 HP at 460VAC, 5kA SCCR, 3 phase, 3 pole, melting alloy, 120VAC coil, open

8536SEO1V02S

Main

| | |
|---------------|---------------|
| Product Type | Motor starter |
| Product Range | S |
| Starter Type | Non reversing |

Complementary

| | |
|------------------------|--|
| NEMA Size | 3 |
| Rated Current | 90 A |
| Number of Poles | 3P |
| Maximum Voltage Rating | 600 V AC |
| Phase | 3 phases |
| Type of Overload | Melting alloy 3 |
| Horsepower Rating | 25 HP 200 V AC 30 HP 230 V AC 50 HP 460 V AC 50 HP 575 V AC |
| SCCR | Circuit-breaker: 5 kA at 600 V AC Fuse: 5 kA at 600 V AC |
| Coil Voltage | 110 V AC 50 Hz 120 V AC 60 Hz |
| Control Circuit Type | Separate control circuit |
| Control Units | No control units |
| Pilot Light | Without pilot light |
| Auxiliary Contacts | Without |
| Terminal Type | Screw clamp terminals |
| Height | 11.09 in (281.69 mm) |
| Width | 5.47 in (138.94 mm) |
| Depth | 6.50 in (165.10 mm) |

Environment

| | |
|----------------|--------------------------|
| Enclosure Type | Not rated (open device) |
| Certifications | UL listed CSA NEMA |

Packing Units

| | |
|------------------------------|----------------------------|
| Unit Type of Package 1 | PCE |
| Number of Units in Package 1 | 1 |
| Package 1 Height | 7.40 in (18.796 cm) |
| Package 1 Width | 8.70 in (22.098 cm) |
| Package 1 Length | 14.30 in (36.322 cm) |
| Package 1 Weight | 15.65 lb(US) (7.099 kg) |
| Unit Type of Package 2 | PAL |
| Number of Units in Package 2 | 60 |
| Package 2 Height | 40.00 in (101.6 cm) |
| Package 2 Width | 40.00 in (101.6 cm) |
| Package 2 Length | 48.00 in (121.92 cm) |
| Package 2 Weight | 940.74 lb(US) (426.712 kg) |

Offer Sustainability

| | |
|-----------------------|---|
| REACH Regulation | REACH Declaration |
| EU RoHS Directive | Not compliant |
| China RoHS Regulation | China RoHS declaration Product out of China RoHS scope. Substance declaration for your information |

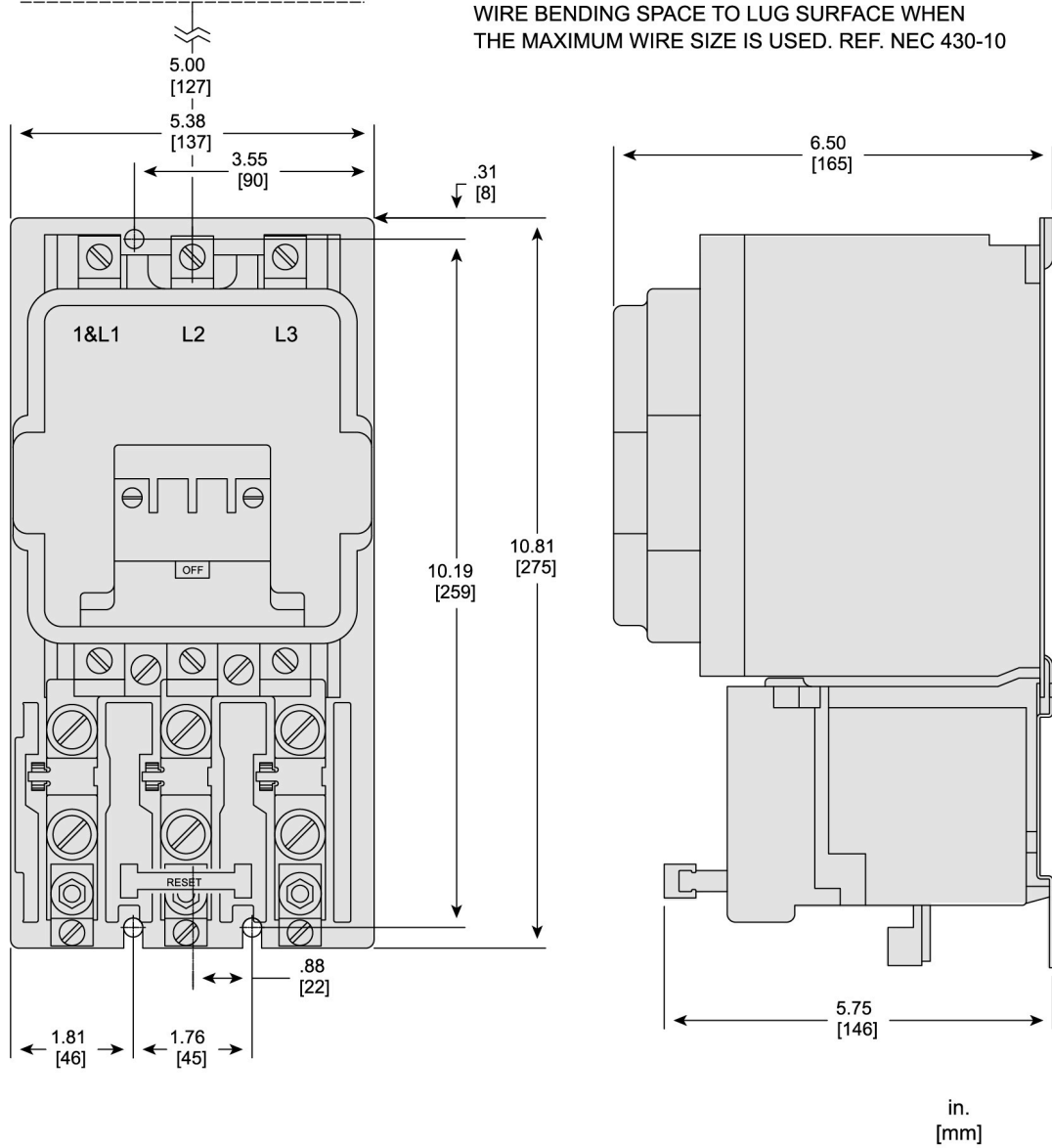
Contractual warranty

| | |
|----------|-----------|
| Warranty | 18 months |
|----------|-----------|

Dimensions

ELECTRICAL CLEARANCE/WIRE BENDING SPACE

MINIMUM TO WALL OR BARRIER TO INSURE ADEQUATE WIRE BENDING SPACE TO LUG SURFACE WHEN THE MAXIMUM WIRE SIZE IS USED. REF. NEC 430-10



ALL DIMENSIONS ARE APPROXIMATE.
 REFER TO CAD AND TECHNICAL DRAWINGS AND DOCUMENTATION FOR COMPLETE INFORMATION.

Recommended replacement(s)