

Product data sheet

Specifications

SQUARE D



NEMA motor starter, Type S, nonreversing, Size 3, 90A, 50 HP at 460VAC, 5kA SCCR, 3 phase, 3 pole, melting alloy, 120VAC coil, NEMA 1

8536SEG1V02S

Main

Product Type	Motor starter
Product Range	S
Starter Type	Non reversing

Complementary

NEMA Size	3
Rated Current	90 A
Number of Poles	3P
Maximum Voltage Rating	600 V AC
Phase	3 phases
Type of Overload	Melting alloy 3
Horsepower Rating	25 HP 200 V AC 30 HP 230 V AC 50 HP 460 V AC 50 HP 575 V AC
SCCR	Circuit-breaker: 5 kA at 600 V AC Fuse: 5 kA at 600 V AC
Coil Voltage	110 V AC 50 Hz 120 V AC 60 Hz
Control Circuit Type	Separate control circuit
Control Units	No control units
Pilot Light	Without pilot light
Auxiliary Contacts	Without
Terminal Type	Screw clamp terminals
Height	21.81 in (553.97 mm)
Width	11.44 in (290.58 mm)
Depth	8.38 in (212.85 mm)

Environment

Enclosure Type	NEMA 1 painted sheet steel
Certifications	UL listed CSA NEMA

Packing Units

Unit Type of Package 1	PCE
Number of Units in Package 1	1
Package 1 Height	9.02 in (22.9 cm)
Package 1 Width	11.81 in (30.0 cm)
Package 1 Length	22.20 in (56.4 cm)
Package 1 Weight	35.91 lb(US) (16.29 kg)

Offer Sustainability

REACH Regulation	REACH Declaration
EU RoHS Directive	Not compliant
China RoHS Regulation	China RoHS declaration Product out of China RoHS scope. Substance declaration for your information

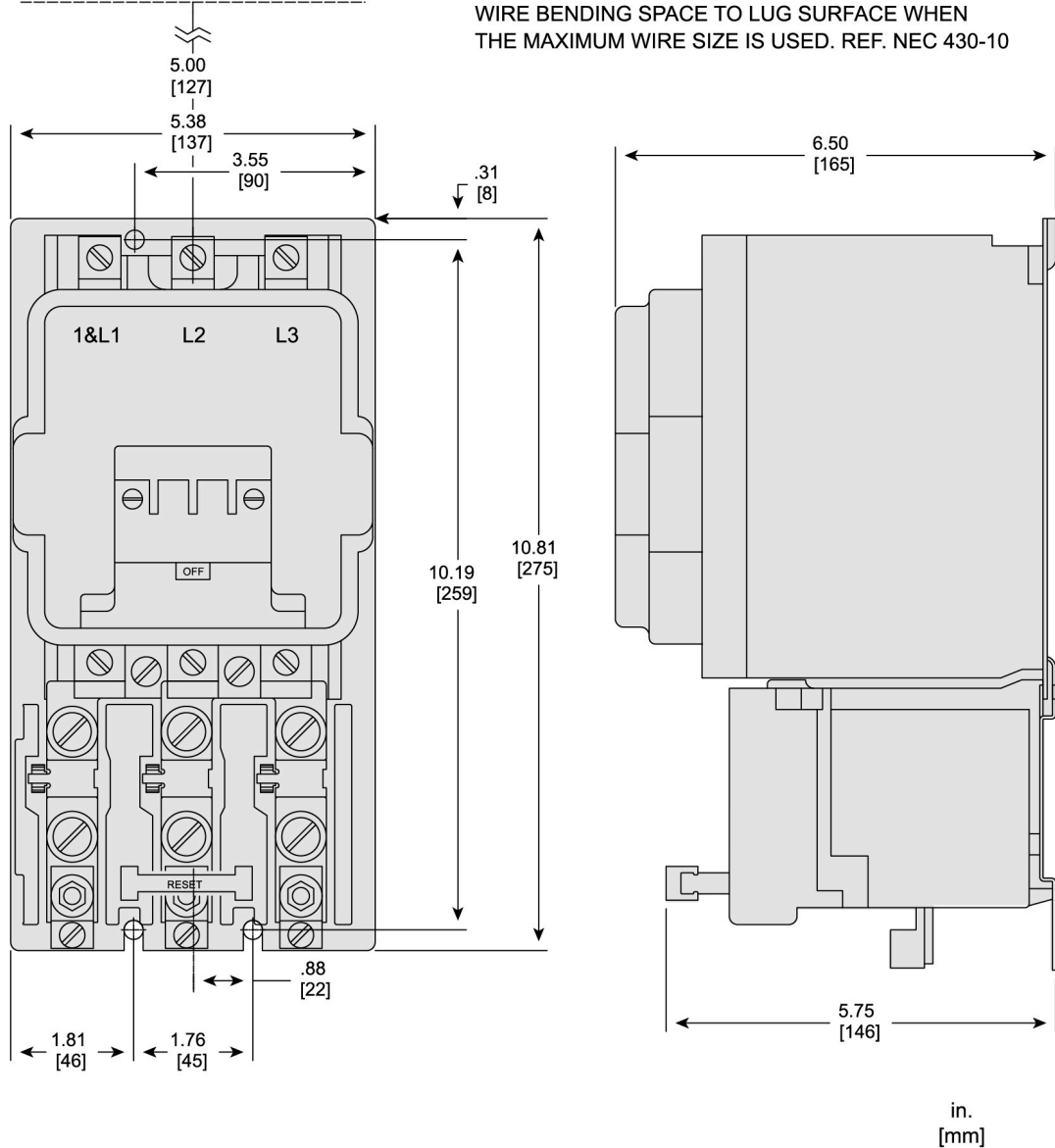
Contractual warranty

Warranty	18 months
----------	-----------

Dimensions

ELECTRICAL CLEARANCE/WIRE BENDING SPACE

MINIMUM TO WALL OR BARRIER TO INSURE ADEQUATE WIRE BENDING SPACE TO LUG SURFACE WHEN THE MAXIMUM WIRE SIZE IS USED. REF. NEC 430-10



ALL DIMENSIONS ARE APPROXIMATE.
 REFER TO CAD AND TECHNICAL DRAWINGS AND DOCUMENTATION FOR COMPLETE INFORMATION.

Recommended replacement(s)