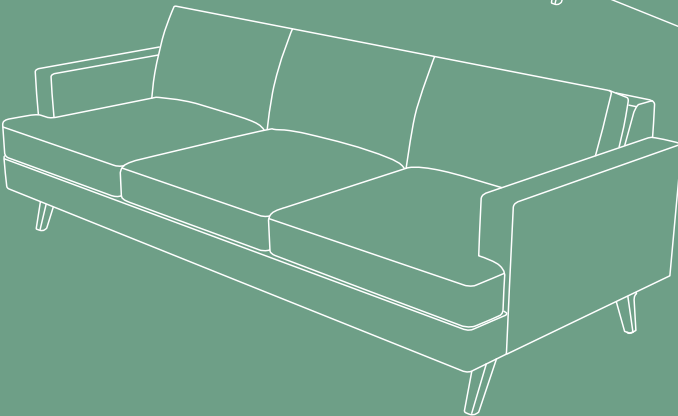
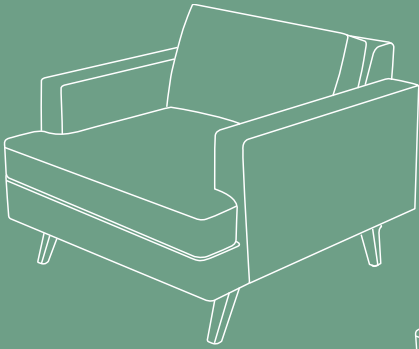


# ALBANY PARK

A COZY HOME BEGINS HERE

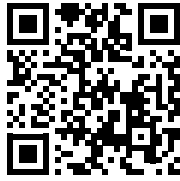


Lido Assembly Instructions

# Video Available

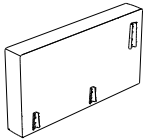
SEE HOW IT'S DONE

Scan the QR code to watch the assembly video.

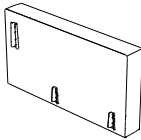


## Parts

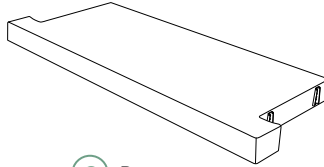
Quantity of cushions varies by model.



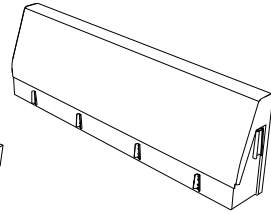
(A) Right Arm



(B) Left Arm



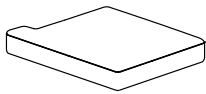
(C) Base



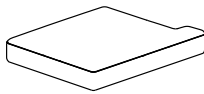
(D) Back



(E) Feet



(F) Seat Cushions



(G) Back Cushions



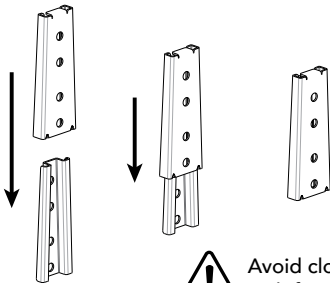
(H)  $\frac{5}{16}$ "  $\times$   $1\frac{1}{2}$ " Screws



(I)  $\frac{3}{16}$ " L-Key

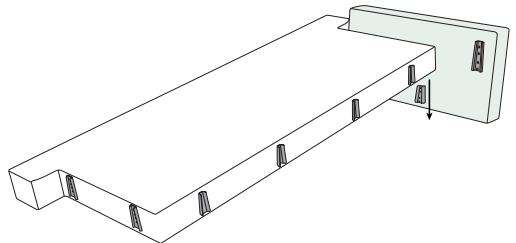
### CONNECTING THE SOFA PARTS

The brackets nest together like this...



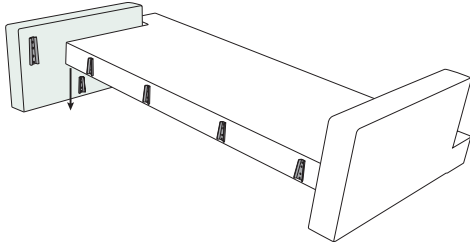
Avoid close contact with fingers.

1. Attach the right arm to the base.

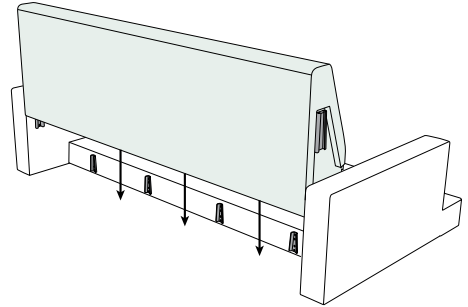


---

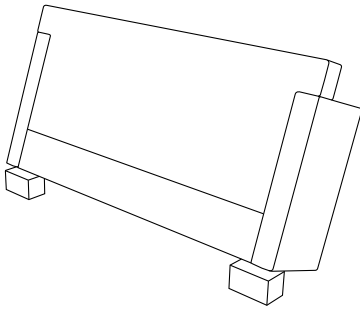
2. Attach the left arm to the base. (B)



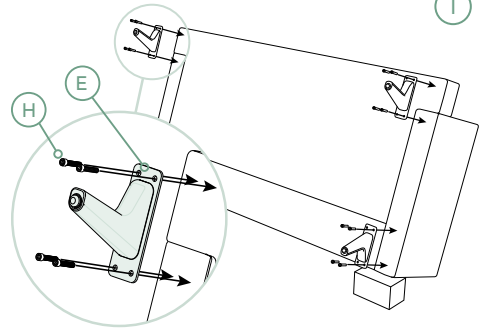
3. Attach the back to the base. (D)



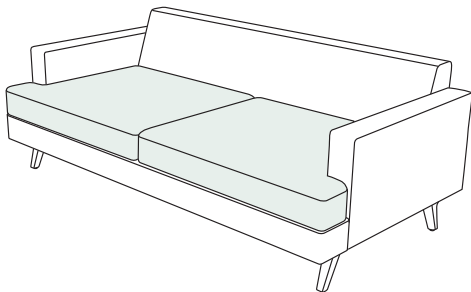
4. Lean the assembly onto its back and prop the bottom edge up with small blocks or boxes. (E)



5. Make sure the bends of the feet face inward and attach them using the provided L-key. (E, H, I)



6. Settle the seat cushions onto the base. (F)



7. Nestle the back cushions against the back. (G)

