

ALBANY PARK

A COZY HOME BEGINS HERE

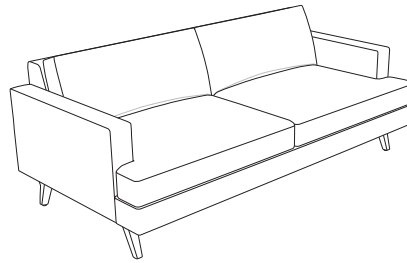


Lido Assembly Instructions

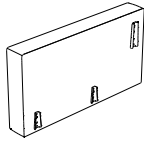
Video Available

SEE HOW IT'S DONE

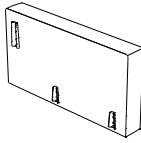
Scan the QR code to watch the assembly video.



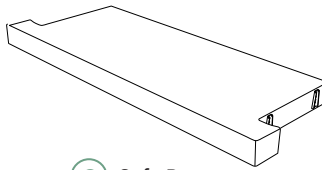
Parts



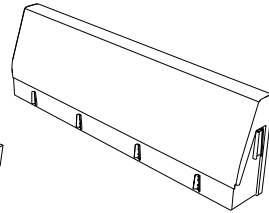
A Right Arm



B Left Arm



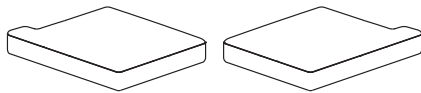
C Sofa Base



D Sofa Back



E Feet



F Seat Cushions



G Back Cushions



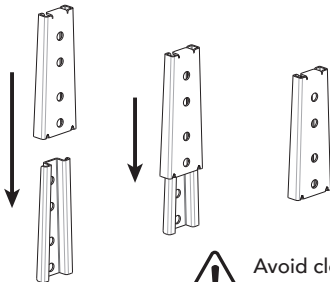
H 5/16" x 1/2" Screws



I 3/16" L-Key

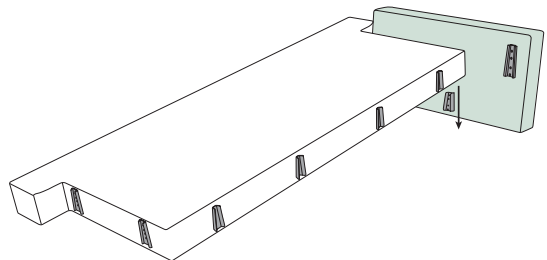
CONNECTING THE SOFA PARTS

The brackets nest together like this...

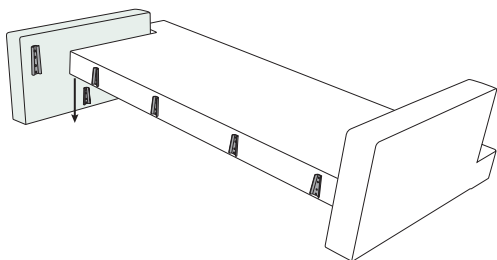


Avoid close contact with fingers.

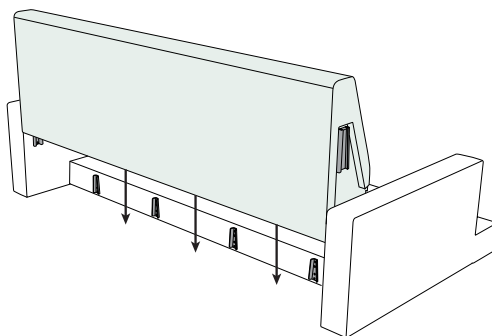
1. Attach the right arm to the sofa base. A x 1
C x 1



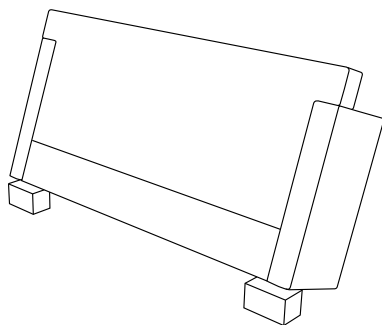
2. Attach the left arm to the sofa base. (B) × 1



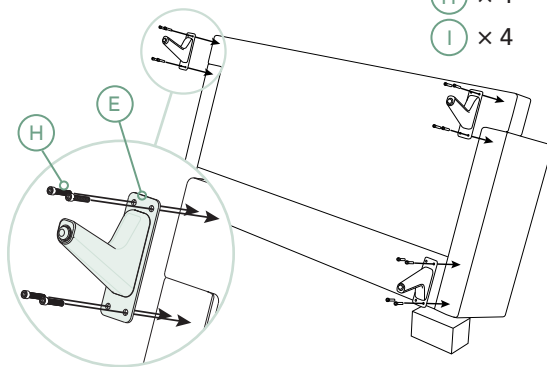
3. Attach the sofa back to the sofa base. (D) × 1



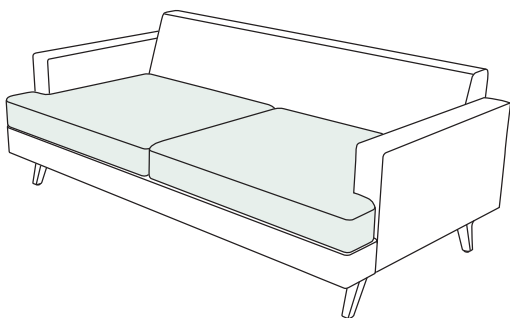
4. Lean the sofa onto its back and prop the bottom edge up with small blocks or boxes.



5. Attach the feet to the base using the provided L-key. (E) × 4
(H) × 4
(I) × 4



6. Settle the seat cushions onto the sofa base. (F) × 2



7. Nestle the back cushions against the sofa back. (G) × 2

