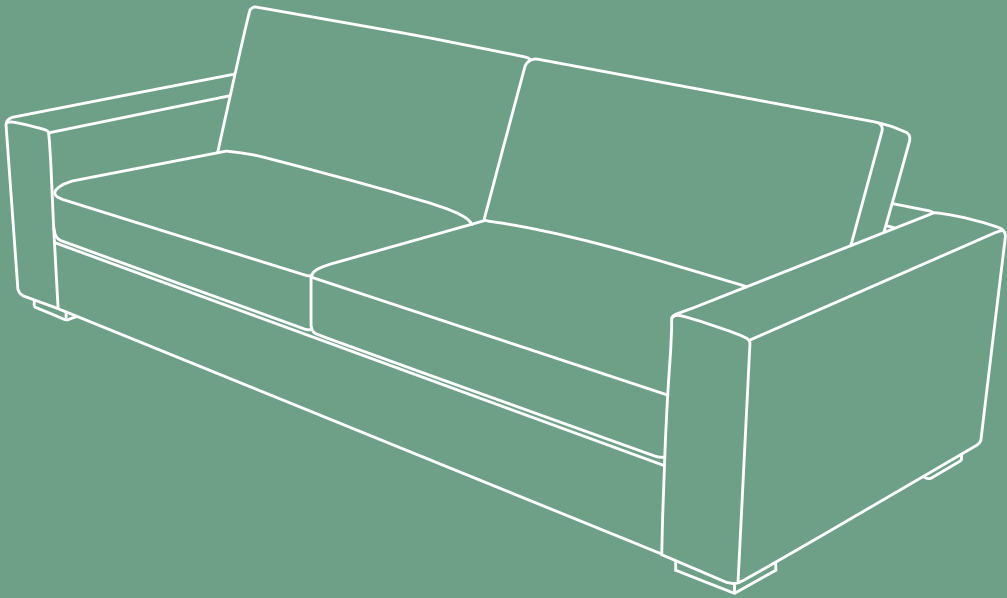


# ALBANY PARK

A COZY HOME BEGINS HERE

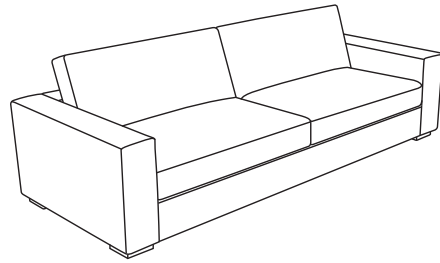


Barton Assembly Instructions

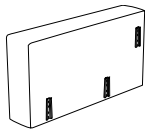
# Video Available

SEE HOW IT'S DONE

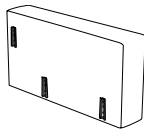
Scan the QR code to watch the assembly video.



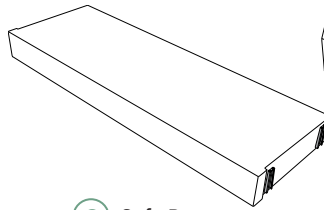
## Parts



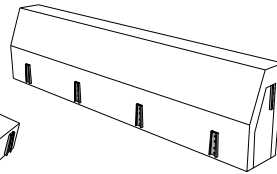
(A) Right Arm



(B) Left Arm



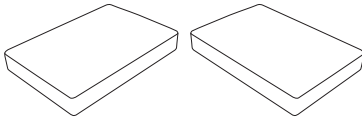
(C) Sofa Base



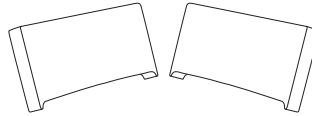
(D) Sofa Back



(E) Feet



(F) Seat Cushions



(G) Back Cushions



(H) Washers



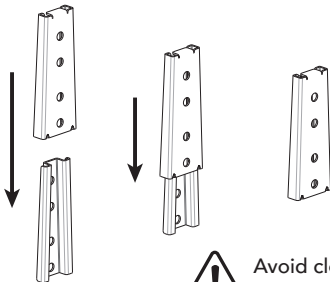
(J) 1/4" L-Key



(I) 5/16" x 2 1/2" Screws

### CONNECTING THE SOFA PARTS

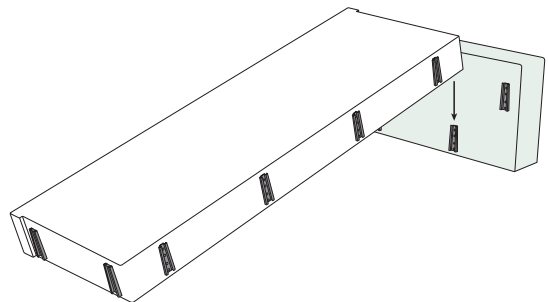
The brackets nest together like this...



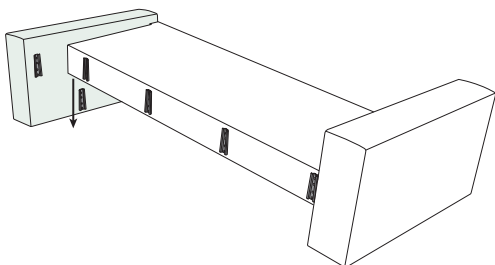
Avoid close contact with fingers.

1. Attach the right arm to the sofa base. (A) x 1

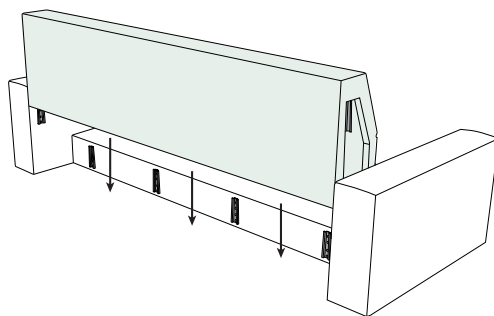
(C) x 1



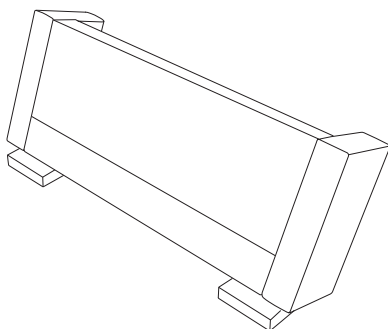
2. Attach the left arm to the sofa base. (B) × 1



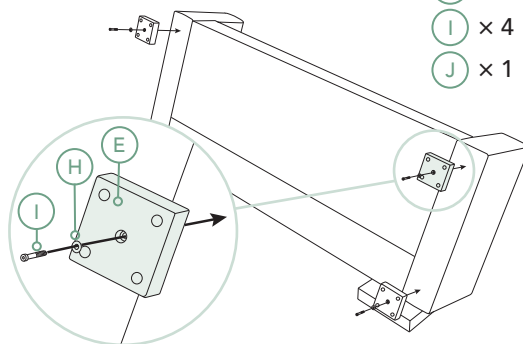
3. Attach the sofa back to the sofa base. (D) × 1



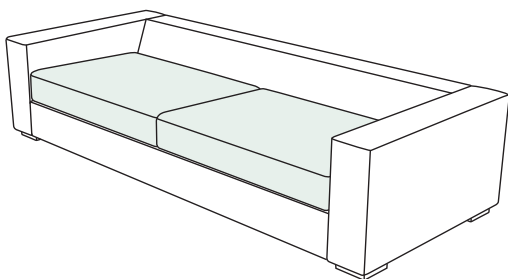
4. Lean the sofa onto its back and prop the bottom edge up with small blocks or boxes.



5. Attach the feet to the base using the provided L-key. (E) × 4  
(H) × 4  
(I) × 4  
(J) × 1



6. Settle the seat cushions onto the sofa base. (F) × 2



7. Nestle the back cushions against the sofa back. (G) × 2

