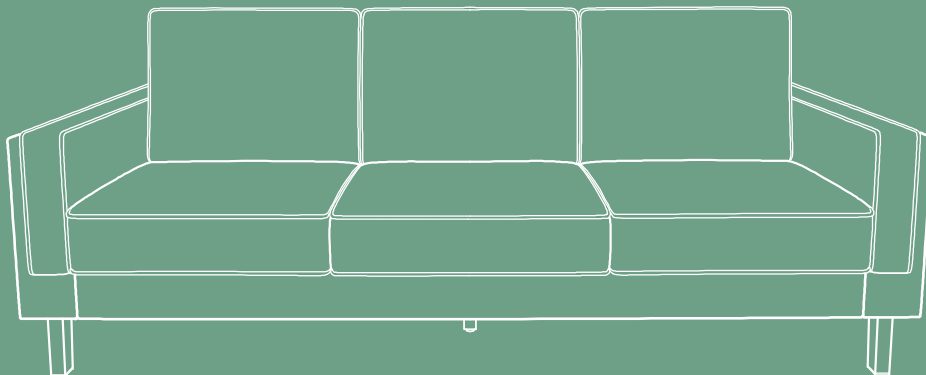


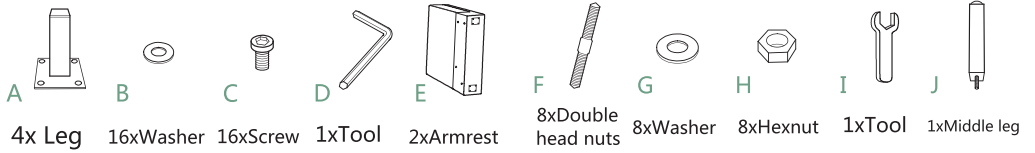
ALBANY PARK

A COZY HOME BEGINS HERE

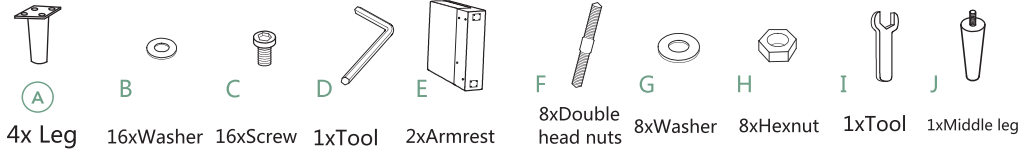


Albany Sleeper Sofa Assembly Instructions

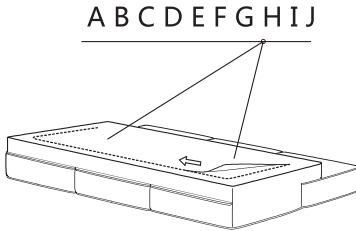
Metal Leg



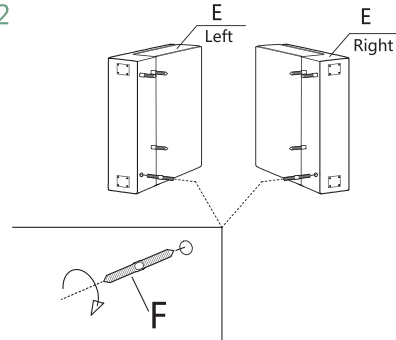
Wooden Leg



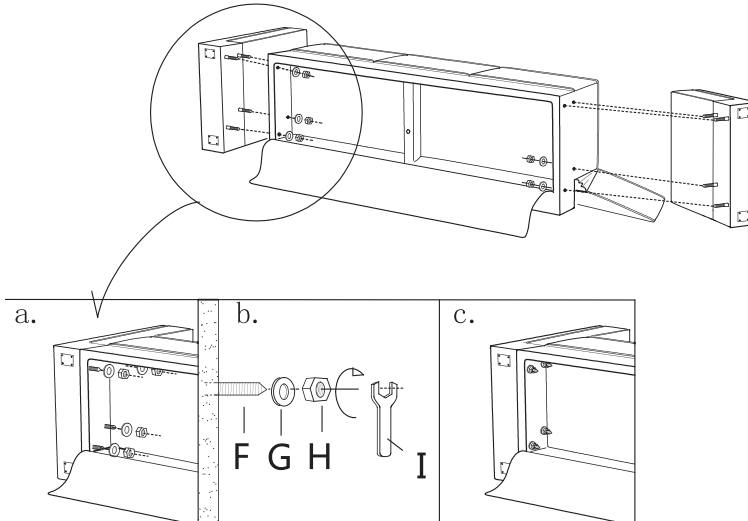
Step 1



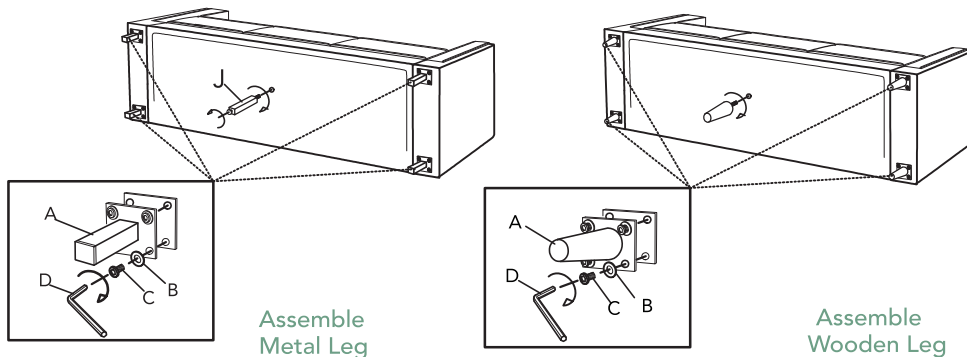
Step 2



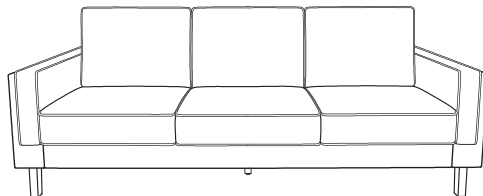
Step 3



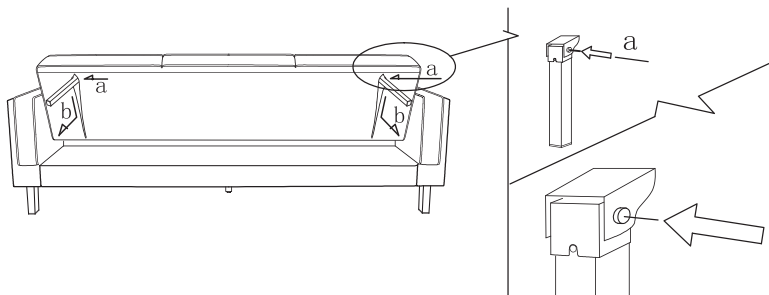
Step 4



Step 5



Step 6



Step 7

FROM SOFA TO BED:

Hold the back of the sofa and tilt forward slowly until a click can be heard, then lower the back until it is lying flat.

FROM BED TO SOFA:

To convert to reclining position: Lift back section carefully until you hear one click.
To convert back to sofa position: Lift back section carefully until you hear two clicks.

Ensure that you push from the centre of the back section to avoid damaging the mechanism.

