

Nellie's®

WOW MOP

WOW MOPPE



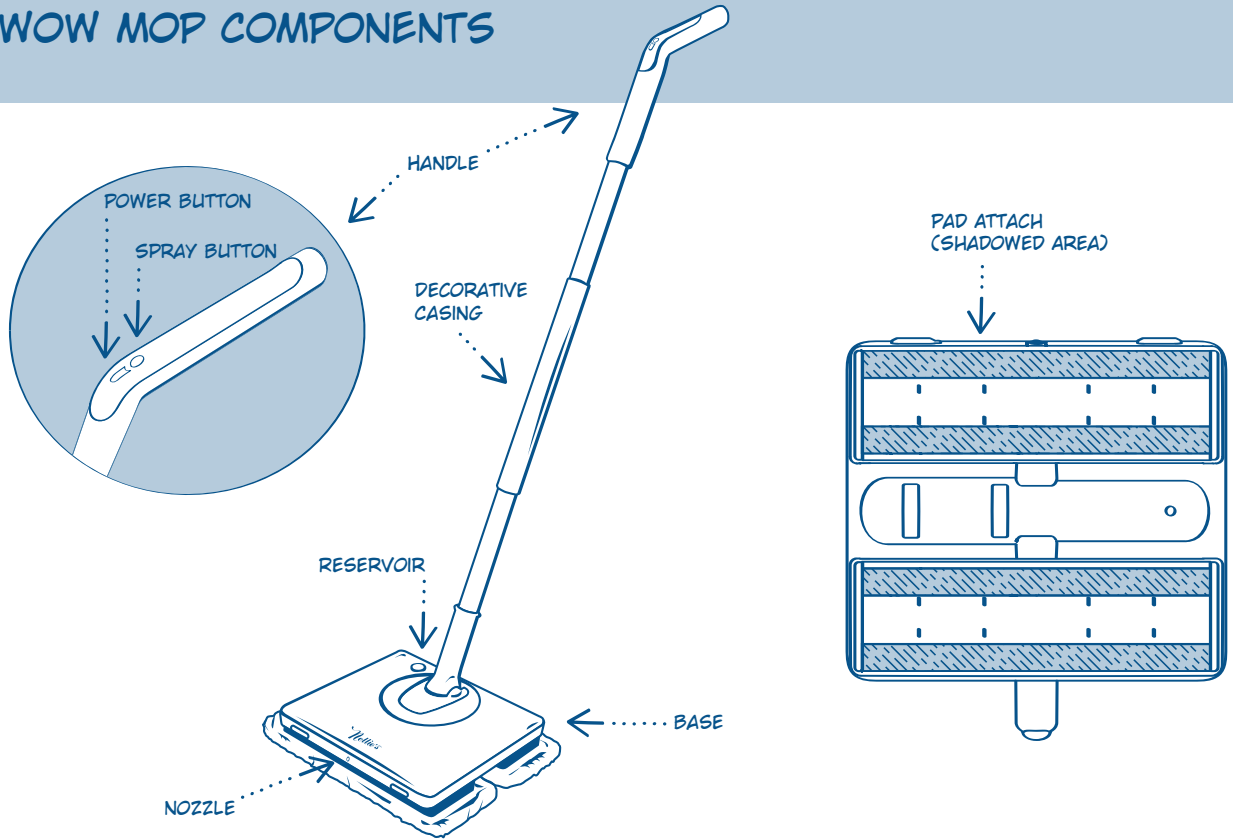
CONTENTS

- 3 ... WOW Mop Components
- 4 ... Carton Contents
- 5 ... Assembly
- 6 ... Instructions for Use
- 8 ... Operation Tips
- 9 ... Troubleshooting
- 11 .. Mop Replacement Program
- 12 .. Safety Instructions & Technical Parameters

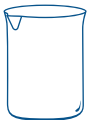
EASY TO USE,
POWERFUL AND
ECO-FRIENDLY! YOU
WILL LOVE YOUR NEW
WOW MOP!



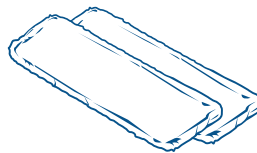
WOW MOP COMPONENTS



4 CARTON CONTENTS



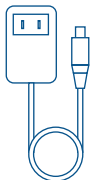
MEASURING CUP



CLEANING PADS



REPLACEMENT HANDLE BATTERY

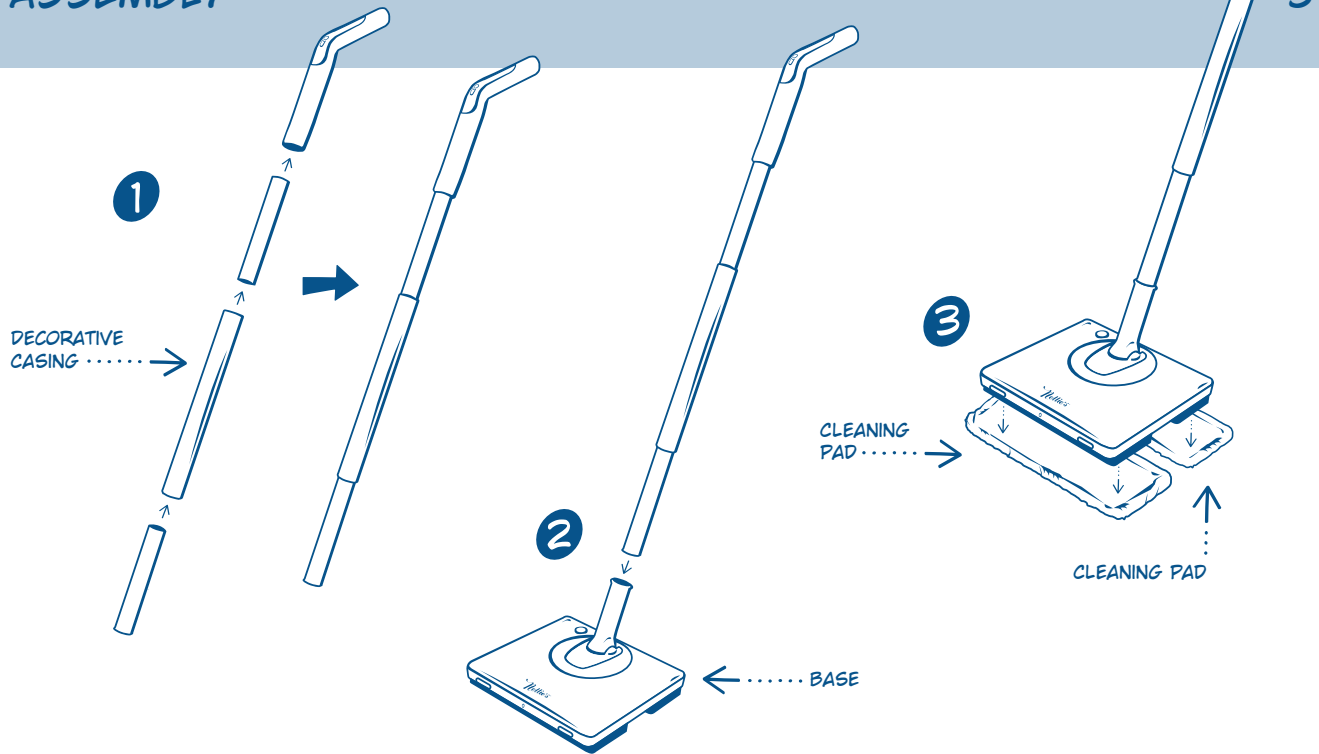


CHARGING CORD

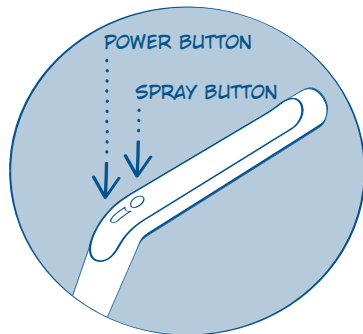


USER MANUAL

ASSEMBLY



6 INSTRUCTIONS FOR USE



Operating

Press the power button on the handle to make the cleaning pads oscillate, and press it again to stop.

While the pads are oscillating, hold down the spray button to spray cleaning solution. Release button to stop.

Notes:

- Do not operate while the mop is charging.
- The longest time of spraying is 5 seconds with one press.
- The machine will automatically turn into "sleep mode" after 2 minutes of no use and the full battery light will twinkle.



Adding Cleaning Solution

Open the cap of the reservoir and fill using the measuring cup to add liquid. Do not overfill. Close the cap.

Best used with Nellie's Floor Care on hardwood, ceramic and tile.

Note:

- Maximum capacity of the reservoir is 170 mL.

Taking Care of Your Reservoir

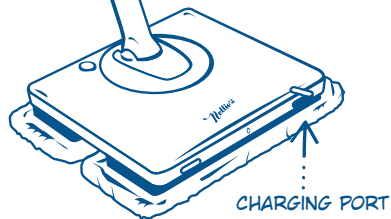
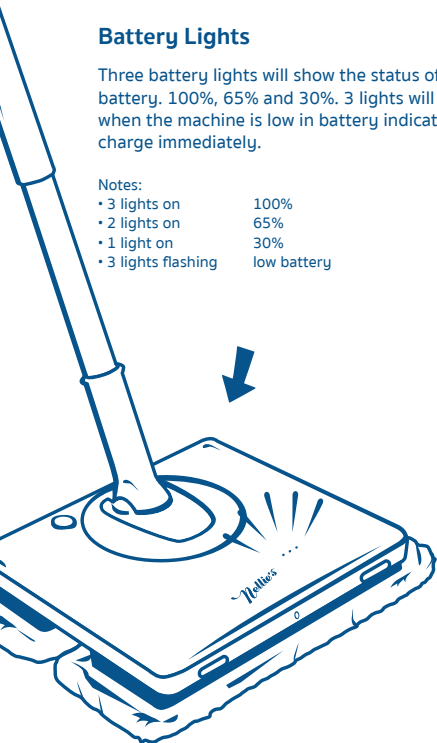
Nellie recommends to use Nellie's Floor Care or distilled/purified water in the reservoir. This will maintain good performance and extend the life of your mop. Empty the reservoir when not in use.

Battery Lights

Three battery lights will show the status of the battery. 100%, 65% and 30%. 3 lights will flash when the machine is low in battery indicating to charge immediately.

Notes:

- 3 lights on 100%
- 2 lights on 65%
- 1 light on 30%
- 3 lights flashing low battery



First Time Charging

Pull out the rubber cork and turn it until the whole charging port is revealed. Plug the charger into the charging port.

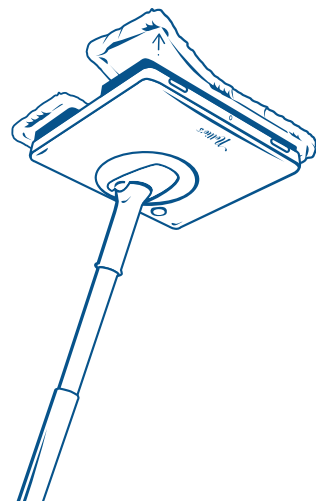
Note:

- Use the original equipment manufactured adapter.
- Overcharging the battery may cause damage.
- Please avoid charging for more than 3 hours.

Pad Changing

Unplug/turn off the machine. Ensure that the tank is empty. Hold the mop upside down and remove the pads from the bottom.

Alternatively, you can also hold the mop up and change the pads.



8 OPERATION TIPS

Turning Off

Put handle in upright position to turn off.

Cleaning Pads

Machine wash pads with fragrance-free detergent. Do not use fabric softener.

FYI Nellie's Laundry Soda works great!

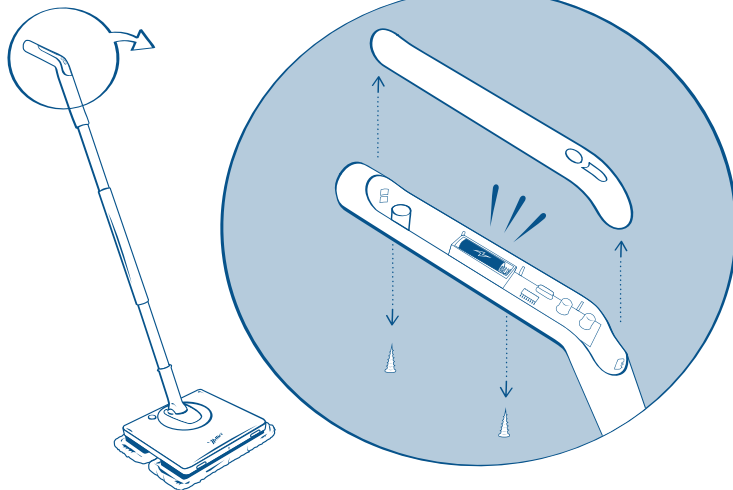


Replacing the Handle Battery

There are two screws located underneath the top of the handle. Remove the screws and the teal panel. Replace the battery.

If your Mop will not be in use for an extended period of time, remove the battery.

The WOW Mop handle requires a 23 A/12 V battery.



Fault	Cause	Treatment
Unit is wobbling.	<ol style="list-style-type: none"><li data-bbox="519 279 949 383">1. Mop pads are not installed properly.	<ol style="list-style-type: none"><li data-bbox="949 279 1375 383">1. Turn power OFF and follow instructions on page 7 for replacing mop pads.
Reduced spray or no spray.	<ol style="list-style-type: none"><li data-bbox="519 383 949 445">1. Reservoir may be empty.<li data-bbox="519 445 949 549">2. System isn't completely primed.<li data-bbox="519 549 949 593">3. Spray nozzle on base is clogged.	<ol style="list-style-type: none"><li data-bbox="949 383 1375 445">1. Refill reservoir.<li data-bbox="949 445 1375 549">2. Hold spray button for 10 to 15 seconds to make sure the solution has flowed to the spray nozzle.<li data-bbox="949 549 1375 593">3. Turn power OFF. Use a pin to clean the spray nozzle located at the front of the machine.

Fault	Cause	Treatment
No power.	<ol style="list-style-type: none"><li data-bbox="540 317 703 334">1. Battery depleted.<li data-bbox="540 387 762 405">2. Charging cord damaged.<li data-bbox="540 436 684 453">3. Battery failure.	<ol style="list-style-type: none"><li data-bbox="976 317 1347 360">1. Charge battery for approximately 3 hours. Avoid overcharging.<li data-bbox="976 387 1371 405">2. Do not use. Contact Nellie's customer service.<li data-bbox="976 436 1371 453">3. Do not use. Contact Nellie's customer service.
Machine is leaking.	<ol style="list-style-type: none"><li data-bbox="540 505 877 523">1. Cap of reservoir is not closed properly.	<ol style="list-style-type: none"><li data-bbox="976 505 1188 523">1. Close the cap properly.
Lights are on but unit won't start vibrating.	<ol style="list-style-type: none"><li data-bbox="540 574 869 592">1. The battery in the handle is depleted.	<ol style="list-style-type: none"><li data-bbox="976 574 1362 618">1. Follow instructions on page 8 to replace the battery in the handle.

MOP REPLACEMENT PROGRAM

Base Battery Replacement

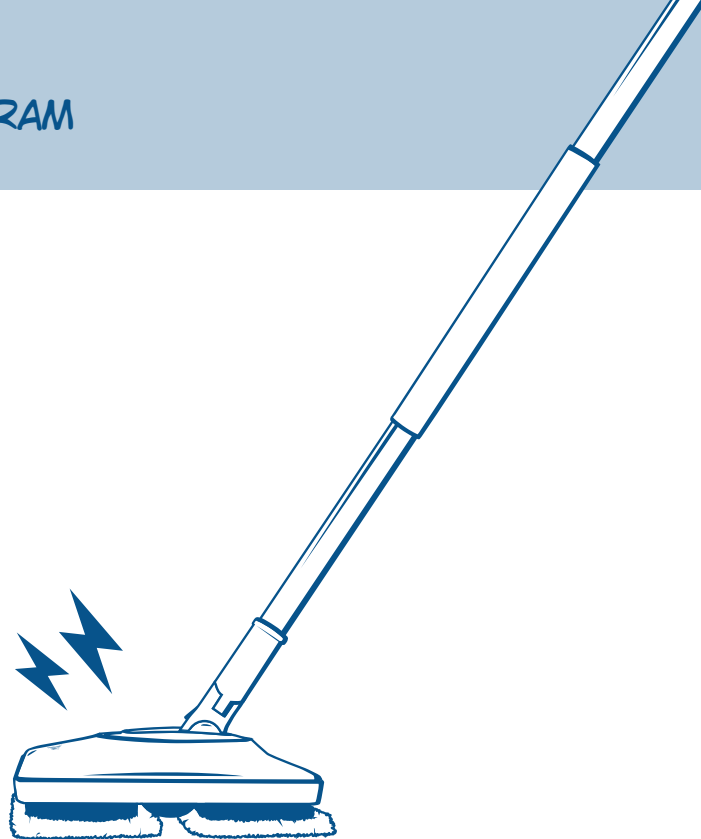
Batteries don't last forever. Your Wow Mop has a 2 year warranty. The battery in the base should last about 2 to 4 years, depending on use.

Mop Battery Replacement

Outside of the two-year warranty period? For a fee of \$65 USD or \$85 CAD, we can replace your WOW Mop with a refurbished unit. Your WOW Mop must have been purchased through an authorized dealer and proof of purchase is required. Please note: Refurbished WOW Mops have a 90-day warranty.

Notes:

- Do not try to replace the battery in the base yourself.
- Overcharging the battery may cause damage.



12 SAFETY INSTRUCTIONS & TECHNICAL PARAMETERS

Usage

For home use only.

Remove large particles or substances from the floor before using. This product is not for sweeping or vacuuming.

In case of jam caused by small objects, power off before removing the objects.

Do not let children use the mop as a toy.

Use a rag to clean the mop when it's powered off.

Do not leave any solution in the reservoir for more than 24 hours.

Only operate within 5-40 °C.

Battery & Charging

Do not use charger and charging batteries provided by any third parties.

Do not self disassemble or remodel the battery and charger.

Keep the charger away from heating sources such as radiators.

Do not touch the charger with wet cloths or wet hand.

Please send the used batteries for recycling by certified organizations or learn more about our Battery Replacement Program at www.nelliesclean.com/our-planet.

If there is any damage to the cable please stop using and contact Nellie's customer service.

If your Mop will not be in use for an extended period of time, charge fully and store in a cool, dry space. Re-charge every 3 months.

Name	Parameters
Battery	2000 mAh
Voltage Rating	12 V
Rated Power	35 W
Power Charger Voltage	12.6 V
Charging Time	3 h
Run Time	55 min

IC ID Certification 26917-D3

This device complies with Industry Canada licence-exempt RSS standard(s). Operation is subject to the following two conditions: (1) this device may not cause interference, and (2) this device must accept any interference, including interference that may cause undesired operation of the device.

