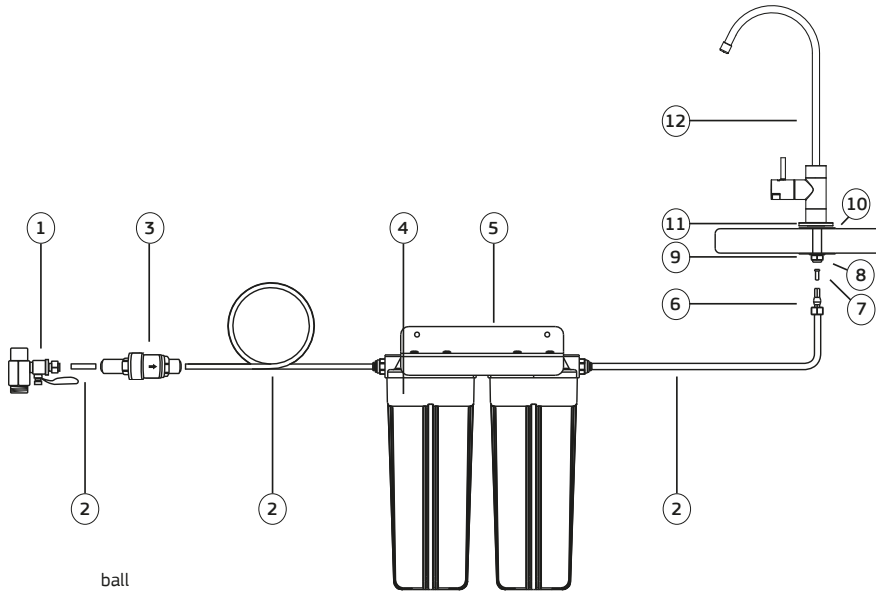


Figure 1 - Parts Diagram


No.	DESCRIPTION
1	Ball Valve Adaptor
2	Flexible Tubing
3	Pressure Limiting Multivalve (if included, PL models)
4	Housing Assembly (Twin Pictured)
5	Mounting Bracket
6	Tube, Nut and Ferrule
7	Tube Insert
8	Faucet Lock Nut and Washer
9	Black Plastic Washer
10	Black Rubber Washer
11	Escutcheon Plate
12	High Loop Faucet

Figure 2 - Faucet Diagram

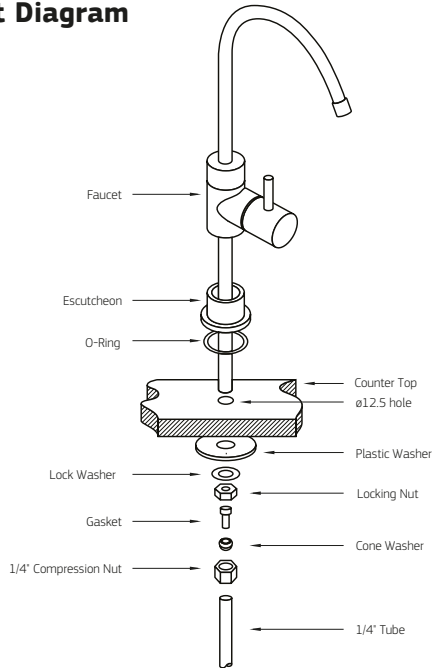
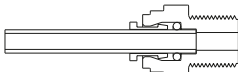


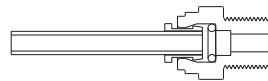
Figure 3 - How To Use Quick Connect Fittings



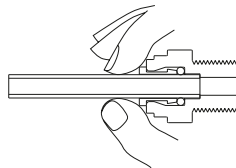
1. Cut the tube square and push in to the tube stop. For metal tube remove burrs and chamfer tube end to prevent O-Ring seal being damaged.



3. Tube is secured in position.



2. Fitting grips before it seals. Ensure tube is pushed in to tube stop.



DISCONNECTION PROCEDURE

4. Push collet against body and slide tube out of fitting.