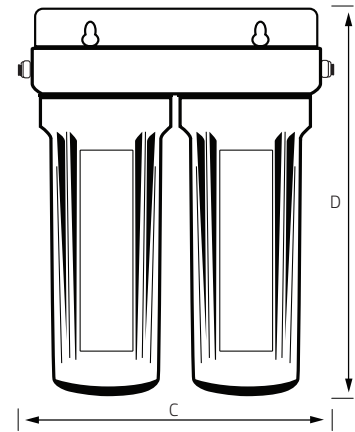


OT250 FAUCET

A	B
122 mm	292 mm



HOUSING

C	D	Depth
233 mm	340 mm	130 mm

GENERAL INFO

MAINS / TOWN WATER SUPPLY

Twin Undersink Filter System

Provides clear, great tasting water by removing chlorine, harmful chemicals, taste, odour and sediment. The Puretec Basic TW Series is an economical filter system that easily fits under your existing kitchen bench. Includes all you need for standard installation, making it nice and easy!

SPECIFICATIONS

Model Number:	<b>TW1</b>	<b>TW1-PL</b>
Pressure Limiting Valve:	<b>Not Included</b>	<b>Included</b>
Sediment Cartridge:	<b>MB051</b>	<b>MB051</b>
Taste & Odour Cartridge:	<b>EC951</b>	<b>EC951</b>
Min/Max Flow:	<b>0 - 14 Lpm</b>	<b>0 - 14 Lpm</b>
Min/Max Temperature:	<b>0 - 38 °C</b>	<b>0 - 38 °C</b>
Min/Max Pressure:	<b>100 - 860 kPa</b>	<b>100 - 860 kPa</b>
Micron Rating:	<b>0.5 micron*</b>	<b>0.5 micron*</b>
Connection:	<b>¼" QC</b>	<b>¼" QC</b>
Warranty:	<b>1 year^</b>	<b>1 year^</b>

*Important Note: Use only genuine Puretec replacement cartridge. ^1 year warranty is 1 year parts and labour. Excludes cartridges. \*Micron Rating is nominal. Protect from freezing.*

FEATURES & BENEFITS

- Turns your tap water into pure, safe, delicious and healthy drinking water.
- 1 year warranty^.
- Does not remove essential minerals or fluoride.
- Quick and easy installation.

