

Hunter®

The Irrigation Innovators

ICV

The top-of-the-line valve you can count on for superior durability and ability to handle exceptionally high pressures



1" (25mm) Globe

1½" (40mm) Globe

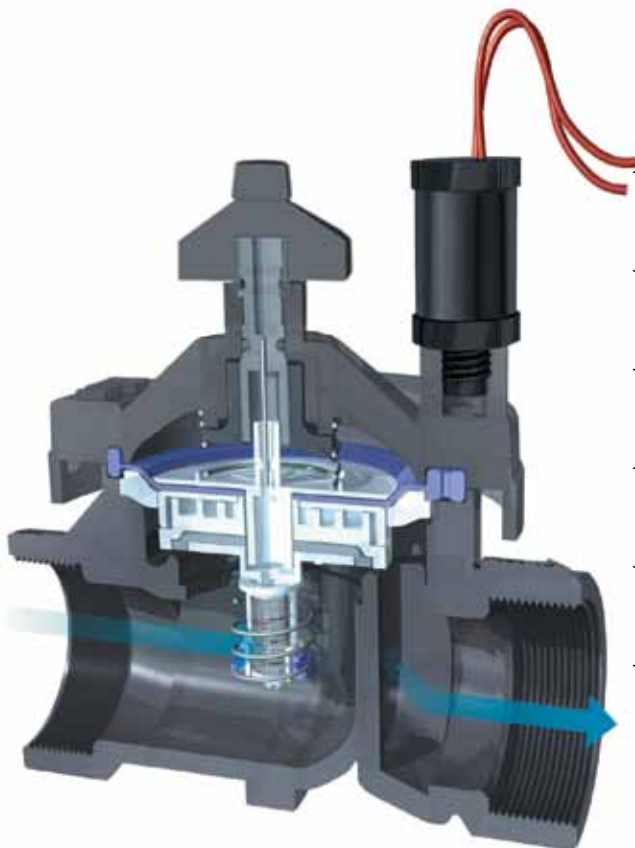
2" (50mm) Globe

3" (80mm) Globe/Angle

For a long-lasting valve that can deliver dependable performance at commercial sites, this is the heavy-duty workhorse you can count on. Created to handle the wide range of conditions different sites will bring, this valve includes both a fabric reinforced diaphragm and flow control as standard features, and can consistently withstand pressures of up to 1500 kPa

(15 bars) while handling the continual hammer that such forces will produce. The ICV also offers the added option of the Accu-Set™ pressure regulator to maintain a safe, constant water pressure level. Plus, it's exceptionally easy to service, with bonnet fasteners that can be loosened and tightened using a variety of common contractor tools.

Features & Benefits



Glass-filled nylon construction

1500 kPa (15 bars) rated for maximum strength and sturdiness

Internal and external manual bleed

Internal bleed keeps valve box dry

Captive solenoid plunger

No more lost parts when servicing

Captive bonnet bolts with matching brass body inserts

Provide ease of service, eliminate lost parts

Fabric reinforced diaphragm

Provides reliable operation up to 220 PSI

Optional reclaimed water identification handle

For field identification of non-potable water supply

Models

- ICV-101G – 1" (25mm) plastic globe valve
- ICV-151G – 1½" (40 mm) plastic globe valve
- ICV-201G – 2" (50mm) plastic globe valve
- ICV-301G – 3" (80mm) plastic globe/angle valve
- Accu-Set™ Pressure Regulator

Dimensions

- ICV-101G
14 cm H x 12 cm L x 10.2 cm W
- ICV-151G
18 cm H x 17.5 cm L x 14 cm W
- ICV-201G
18 cm H x 17.5 cm L x 14 cm W
- ICV-301G
27.3 cm H x 23.5 cm L x 18.7 cm W
- Female inlet/outlet: 1", 1½", 2" & 3" NPT or BSP

Operating Specifications

- Flow: 0.06 to 68.10 m³/hr; 0.9 to 1,135.5 l/min
- Pressure: 1.4 to 15.0 bars; 138 to 1500 kPa
- Temperature: up to 66°C (150°F)
- Heavy-duty solenoid: 24VAC, 370mA inrush current, 190mA holding current, 60 cycles; 475mA inrush current, 230mA holding current, 50 cycles
- Accu-Set: 1.4 bars, 138 kPa minimum operating pressure. Regulates from 21.4 to 7.0 bars; 138 to 689 kPa

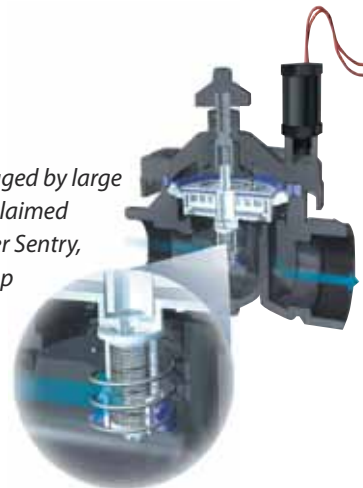
Options Available

- Accu-Set pressure regulator
- Reclaimed water ID handle (part # 561205 - 1", 1½" & 2") (part # 515005 - 3")
- DC latching solenoid (part # 458200)
- Solenoid conduit cover (part # 464322)
- Drip Irrigation Valve Kit (part # ICZ-101)



Filter Sentry™: A Superior Self-cleaning System

Many traditional valve filters could become clogged by large amounts of small debris commonly found in reclaimed water, wells, or in lakes and ponds. But with Filter Sentry, the filter is scoured clean by a wiper that slides up and strokes the full length of the filter when the valve opens. The wiper continues to provide scrubbing action on the upper part of the filter during valve operation. For your convenience, Filter Sentry can be added easily after the valve is installed.



Accu-Set™: Finally, a Pressure Regulator That's Easy to Set

With the added option of Accu-Set on a Hunter ICV valve, you can reliably adjust and regulate pressures anywhere from 1.4 to 15.0 bars (138 to 1500 kPa), and be certain the setting you select will never waver. Accu-Set can be field installed to any ICV valve in seconds, without tools. Plus, the best part is the ease of setting the unit—just turn to the pressure you want on the easy-reading dial. No other pressure regulating device is as simple to use (just one more reason to choose Hunter).



ICV Pressure Loss in Bars

m³/hr	3"				
	1"	1½"	2"	Globe	Angle
0.06	0.14				
0.11	0.14				
0.23	0.14				
1.14	0.28				
2.27	0.21				
3.41	0.21				
4.54	0.21	0.10			
6.81	0.28	0.10			
9.08	0.48	0.12	0.05		
11.36	0.15	0.08			
13.63	0.21	0.12			
17.03	0.27	0.16			
20.44	0.38	0.22			
22.71	0.48	0.29			
27.25	0.75	0.45			
30.66	0.87	0.54			
34.10	1.12	0.67	.17	.13	
39.70		0.92	.20	.16	
45.42		1.22	.28	.23	
51.10			.36	.30	
56.80			.46	.38	
62.50			.57	.48	
68.10			.70	.59	

ICV Pressure Loss in kPa

l/min	3"				
	1"	1½"	2"	Globe	Angle
0.9	13.7				
1.9	13.7				
3.8	13.7				
18.9	27.5				
37.9	20.6				
56.8	20.6				
75.7	20.6	10.3			
113.5	27.5	10.3			
151.4	48.2	11.7	5.5		
189.2	15.1	8.2			
227.1	20.6	11.7			
283.8	26.8	16.5			
340.6	37.9	22.0			
378.5	48.2	28.9			
454.2	75.1	44.8			
510.9	87.5	54.4			
567.8	111.6	67.5	17.2	13.1	
662.4		91.7	20.7	16.5	
757.0		122.0	28.3	22.8	
851.6			36.5	29.6	
946.3			46.2	37.9	
1040.9			57.2	47.6	
1135.5			69.6	58.6	

Charts based on full-open flow control position.

SPECIFICATION GUIDE

EXAMPLE: **ICV - 201G - B - AS**

MODEL ICV	FEATURES	OPTIONS FACTORY INSTALLED	OPTIONS USER INSTALLED
101G	1" Globe Valve	FS = Filter Sentry™	AS = Accu-Set™ Pressure Regulator
151G	1½" Globe Valve	B = BSP Threads	R = Reclaimed Water Identification Handle
201G	2" Globe Valve	DC = DC Latching Solenoid	CC = Conduit Cover
301G	3" Globe Valve		

Hunter Industries Incorporated • The Irrigation Innovators

U.S.A.: 1940 Diamond Street • San Marcos, California 92078 • www.HunterIndustries.com

Europe: Bât. A2 - Europarc de Pichaury • 1330, rue Guillibert de la Lauzières • 13856 Aix-en-Provence Cedex 3, France • TEL: +33 (0) 442-37-16-90 • FAX: +33 (0) 442-39-89-71

Australia: 8 The Parade West • Kent Town, South Australia 5067 • TEL: (61) 8-8363-3599 • FAX: (61) 8-8363-3687

© 2005 Hunter Industries Incorporated

P/N 700686

INT-315

1/06