


Qty.	Description
1	<p data-bbox="201 338 507 365">CRI 10-8 A-FGJ-A-E-HQQE</p> <div data-bbox="343 376 438 712" style="text-align: center;">  </div> <p data-bbox="592 685 1062 707" style="text-align: center;">Note! Product picture may differ from actual product</p> <p data-bbox="201 719 464 741">Product No.: 96500999</p> <p data-bbox="201 748 711 831">Vertical, non-self-priming, multistage, in-line, centrifugal pump for installation in pipe systems and mounting on a foundation.</p> <p data-bbox="201 869 667 891">The pump has the following characteristics:</p> <ul data-bbox="225 898 743 1218" style="list-style-type: none"> - Impellers, intermediate chambers and outer sleeve are made of Stainless steel, EN 1.4301. - Pump head cover and base are made of Stainless steel, EN 1.4408. - The shaft seal has assembly length according to EN 12756. - Power transmission is via cast iron split coupling. - Pipework connection is via DIN / ANSI / JIS flanges/couplings. <p data-bbox="201 1252 568 1274">The motor is a 3-phase AC motor.</p> <p data-bbox="201 1312 300 1335">Controls:</p> <p data-bbox="201 1344 635 1366">Frequency converter: NONE</p> <p data-bbox="201 1404 272 1426">Liquid:</p> <p data-bbox="201 1435 632 1458">Pumped liquid: Water</p> <p data-bbox="201 1467 703 1489">Liquid temperature range: -20 .. 120 °C</p> <p data-bbox="201 1498 628 1520">Selected liquid temperature: 20 °C</p> <p data-bbox="201 1529 695 1552">Density: 998.2 kg/m³</p> <p data-bbox="201 1588 312 1610">Technical:</p> <p data-bbox="201 1619 815 1641">Pump speed on which pump data are based: 2902 rpm</p> <p data-bbox="201 1650 647 1673">Rated flow: 10 m³/h</p> <p data-bbox="201 1682 639 1704">Rated head: 64.8 m</p> <p data-bbox="201 1713 647 1736">Pump orientation: Vertical</p> <p data-bbox="201 1744 632 1767">Shaft seal arrangement: Single</p> <p data-bbox="201 1776 639 1798">Code for shaft seal: HQQE</p> <p data-bbox="201 1807 727 1830">Approvals: CE,EAC,UKCA</p> <p data-bbox="201 1839 695 1861">Approvals for drinking water: WRAS,ACS</p> <p data-bbox="201 1870 759 1892">Curve tolerance: ISO9906:2012 3B</p> <p data-bbox="201 1928 304 1951">Materials:</p> <p data-bbox="201 1960 719 2029">Base: Stainless steel EN 1.4408 AISI 316</p> <p data-bbox="201 2038 719 2107">Impeller: Stainless steel EN 1.4301</p>

Qty.	Description
	<p>AISI 304</p> <p>Bearing: SIC</p> <p>Installation:</p> <p>t max amb: 60 °C</p> <p>Maximum operating pressure: 16 bar</p> <p>Max pressure at stated temp: 16 bar / 120 °C 16 bar / -20 °C</p> <p>Type of connection: DIN / ANSI / JIS</p> <p>Size of inlet connection: DN 40</p> <p>Size of outlet connection: DN 40</p> <p>Pressure rating for connection: PN 25</p> <p>Flange rating inlet: 300 lb</p> <p>Flange size for motor: FT130</p> <p>Electrical data:</p> <p>Motor standard: IEC</p> <p>Motor type: 100LC</p> <p>IE Efficiency class: IE3</p> <p>Rated power - P2: 3 kW</p> <p>Power (P2) required by pump: 3 kW</p> <p>Mains frequency: 50 Hz</p> <p>Rated voltage: 3 x 220-240D/380-415Y V</p> <p>Rated current: 11.0/6.30 A</p> <p>Starting current: 840-920 %</p> <p>Cos phi - power factor: 0.87-0.82</p> <p>Rated speed: 2900-2920 rpm</p> <p>Efficiency: IE3 87,1%</p> <p>Motor efficiency at full load: 87.1 %</p> <p>Motor efficiency at 3/4 load: 88.0 %</p> <p>Motor efficiency at 1/2 load: 87.7 %</p> <p>Number of poles: 2</p> <p>Enclosure class (IEC 34-5): 55 Dust/Jetting</p> <p>Insulation class (IEC 85): F</p> <p>Motor No: 85U05510</p> <p>Others:</p> <p>Minimum efficiency index, MEI ≥: 0.70</p> <p>Net weight: 58 kg</p> <p>Gross weight: 62 kg</p> <p>Shipping volume: 0.13 m³</p> <p>Country of origin: TW</p> <p>Custom tariff no.: 84137090621436561</p>



Company name:

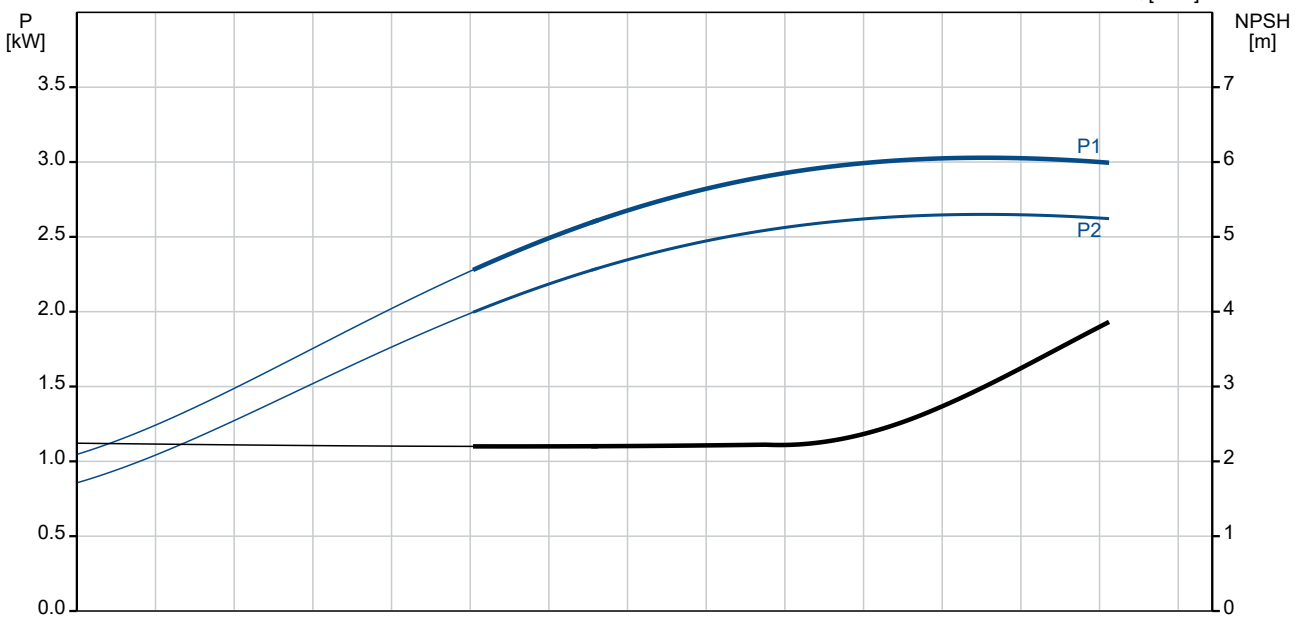
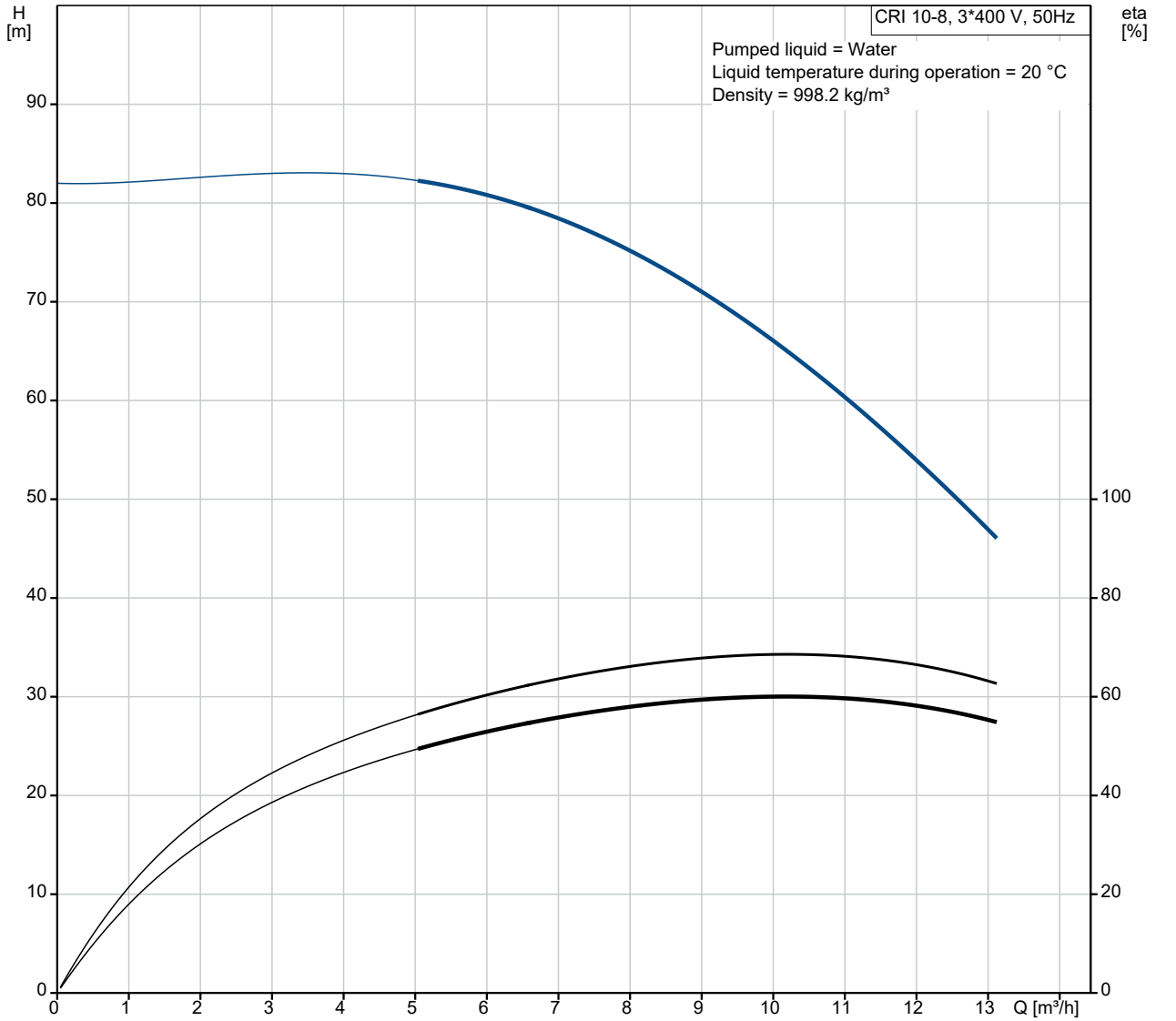
Created by:

Phone:

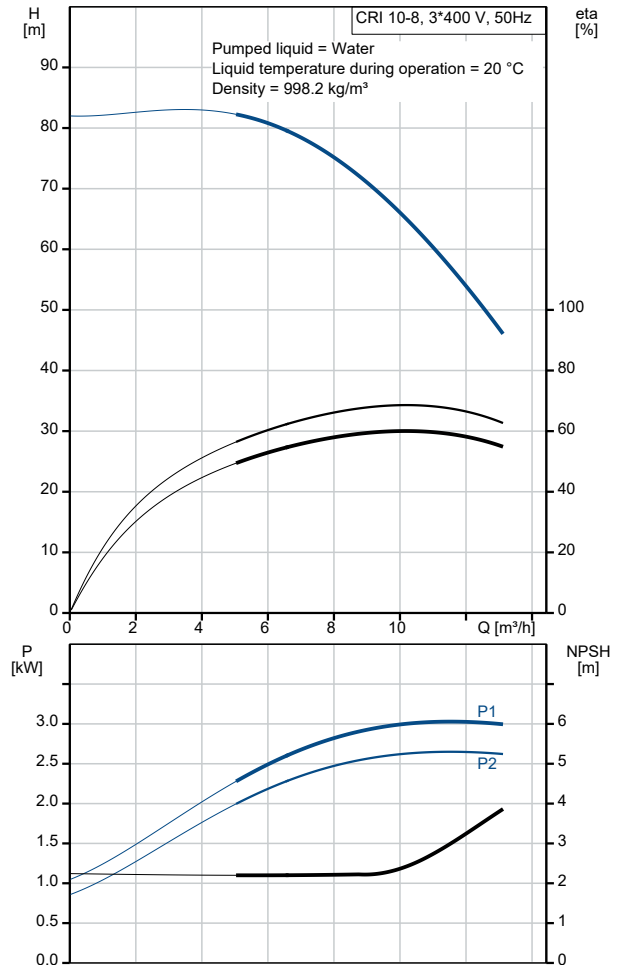
Date:

2/17/2022

96500999 CRI 10-8 A-FGJ-A-E-HQQE 50 Hz



Description	Value
General information:	
Product name:	CRI 10-8 A-FGJ-A-E-HQQE
Product No:	96500999
EAN number:	5700396213330
Price:	AUD 3008
Technical:	
Pump speed on which pump data are based:	2902 rpm
Rated flow:	10 m ³ /h
Rated head:	64.8 m
Maximum head:	81.7 m
Stages:	8
Impellers:	8
Number of reduced-diameter impellers:	0
Low NPSH:	N
Pump orientation:	Vertical
Shaft seal arrangement:	Single
Code for shaft seal:	HQQE
Approvals:	CE,EAC,UKCA
Approvals for drinking water:	WRAS,ACS
Curve tolerance:	ISO9906:2012 3B
Pump version:	A
Model:	A
Materials:	
Base:	Stainless steel
Base:	EN 1.4408
Base:	AISI 316
Impeller:	Stainless steel
Impeller:	EN 1.4301
Impeller:	AISI 304
Material code:	A
Code for rubber:	E
Bearing:	SIC
Installation:	
t max amb:	60 °C
Maximum operating pressure:	16 bar
Max pressure at stated temp:	16 bar / 120 °C
Max pressure at stated temp:	16 bar / -20 °C
Type of connection:	DIN / ANSI / JIS
Size of inlet connection:	DN 40
Size of outlet connection:	DN 40
Pressure rating for connection:	PN 25
Flange rating inlet:	300 lb
Flange size for motor:	FT130
Connect code:	FGJ
Liquid:	
Pumped liquid:	Water
Liquid temperature range:	-20 .. 120 °C
Selected liquid temperature:	20 °C
Density:	998.2 kg/m ³
Electrical data:	
Motor standard:	IEC
Motor type:	100LC
IE Efficiency class:	IE3
Rated power - P2:	3 kW
Power (P2) required by pump:	3 kW
Mains frequency:	50 Hz





Company name:

Created by:

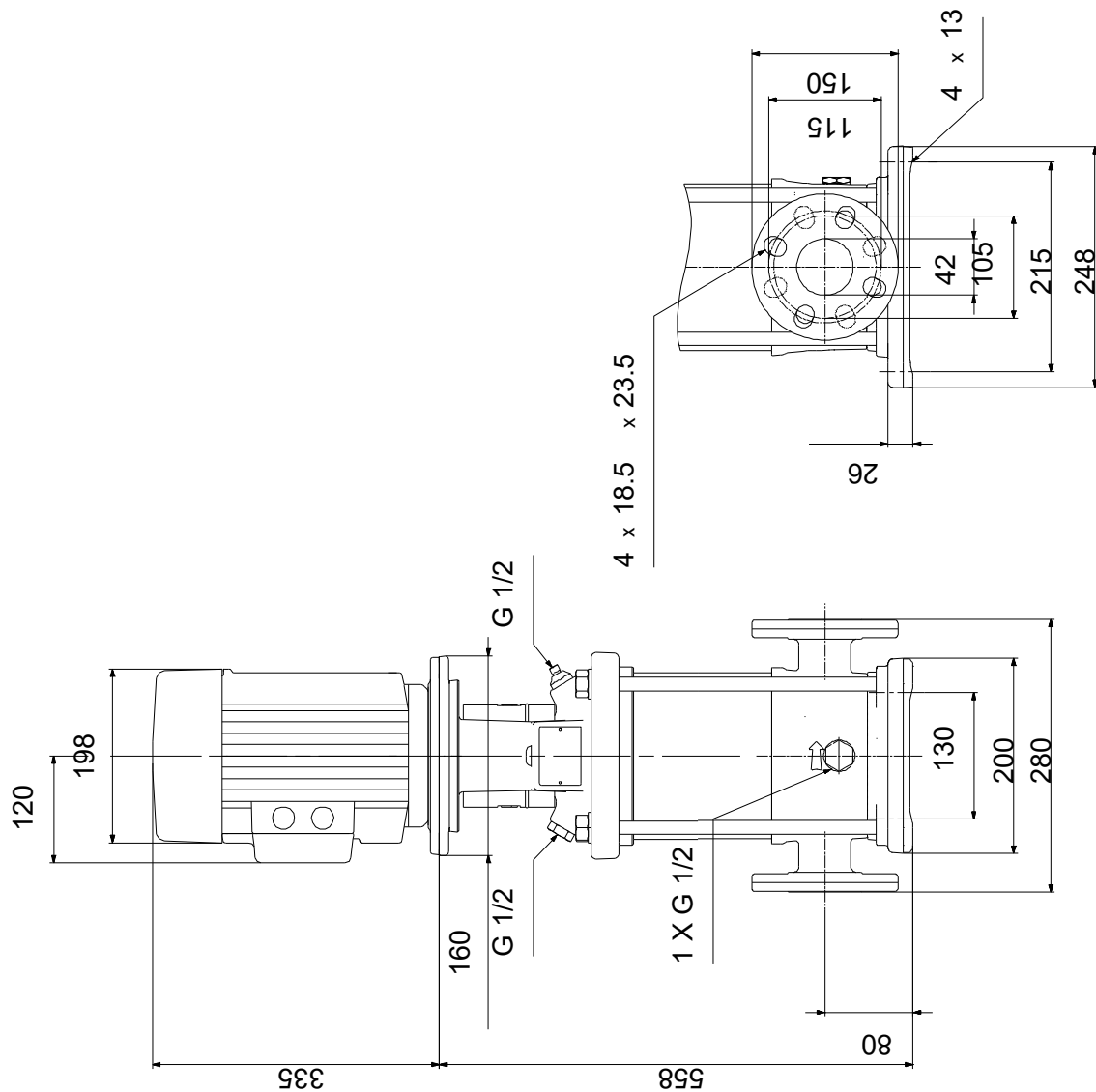
Phone:

Date:

2/17/2022

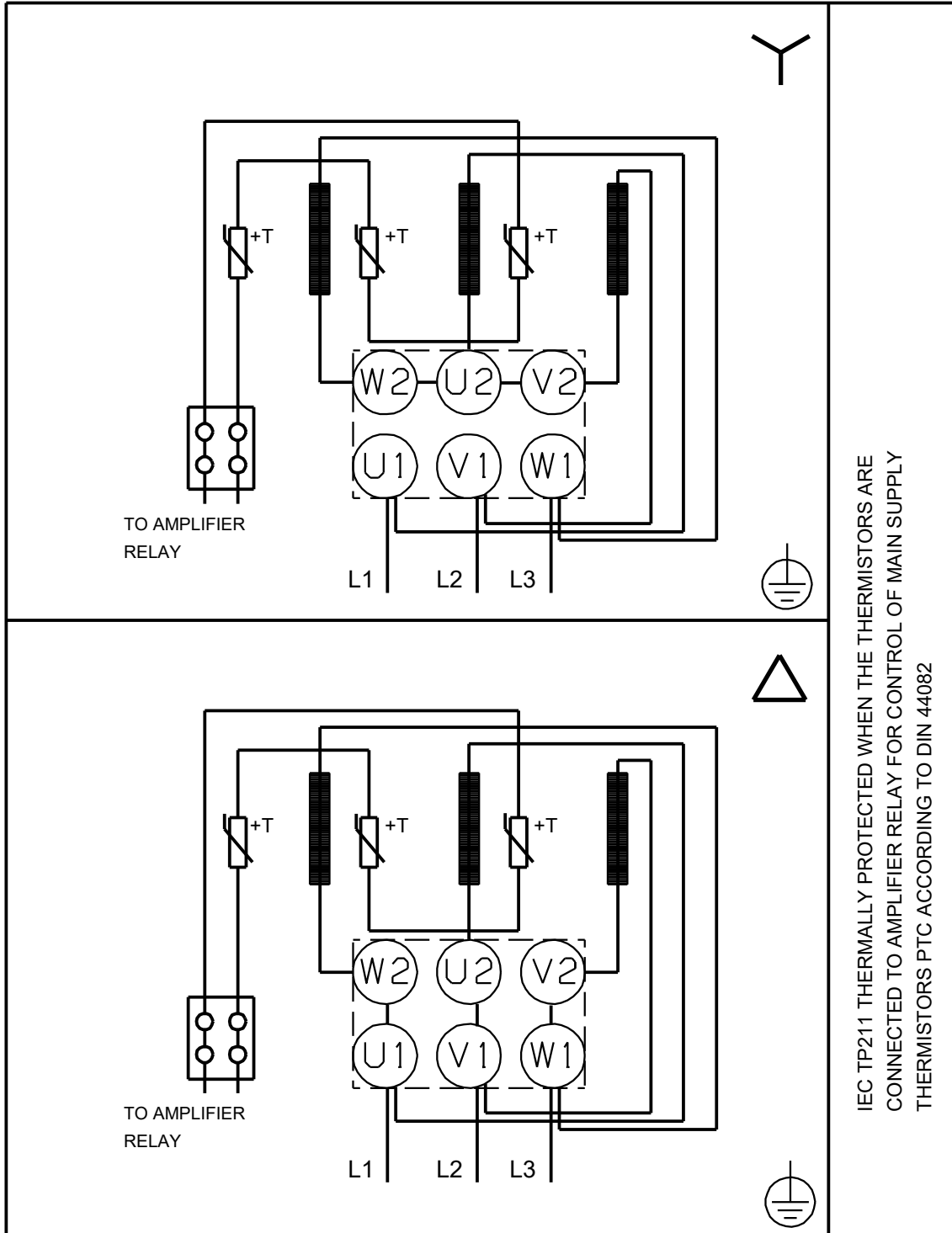
Description	Value
Rated voltage:	3 x 220-240D/380-415Y V
Rated current:	11.0/6.30 A
Starting current:	840-920 %
Cos phi - power factor:	0.87-0.82
Rated speed:	2900-2920 rpm
Efficiency:	IE3 87,1%
Motor efficiency at full load:	87.1 %
Motor efficiency at 3/4 load:	88.0 %
Motor efficiency at 1/2 load:	87.7 %
Number of poles:	2
Enclosure class (IEC 34-5):	55 Dust/Jetting
Insulation class (IEC 85):	F
Built-in motor protection:	PTC
Motor No:	85U05510
Controls:	
Frequency converter:	NONE
Others:	
Minimum efficiency index, MEI ≥:	0.70
Net weight:	58 kg
Gross weight:	62 kg
Shipping volume:	0.13 m ³
Country of origin:	TW
Custom tariff no.:	84137090621436561

96500999 CRI 10-8 A-FGJ-A-E-HQQE 50 Hz



Note! All units are in [mm] unless others are stated.
Disclaimer: This simplified dimensional drawing does not show all details.

96500999 CRI 10-8 A-FGJ-A-E-HQQE 50 Hz



IEC TP211 THERMALLY PROTECTED WHEN THE THERMISTORS ARE
CONNECTED TO AMPLIFIER RELAY FOR CONTROL OF MAIN SUPPLY
THERMISTORS PTC ACCORDING TO DIN 44082

Note! All units are in [mm] unless others are stated.