



# Faucet Installation Instructions

**PRIOR TO INSTALLATION:** Inspect all pages of this document to find the instructions that correspond to your faucet's SKU number. Check all parts carefully to ensure no damage occurred in transit and no pieces are missing. **DO NOT dispose of any packaging until you are satisfied with this product.**

## ⚠ ATTENTION ⚠

1. **SAFETY PRECAUTIONS:** Your installation must comply with all local plumbing codes. Have a qualified tradesman install or approve your plumbing installation. Always wear safety goggles and gloves during installation to avoid personal injury.
2. **NEED HELP?** Please call us at (773) 265-2371 or contact us via email at support@tehilalaundry.com with any questions. Our normal business hours are Monday to Friday from 8 a.m. to 5 p.m. CST.

**DO NOT RETURN THE UNIT TO THE PLACE OF PURCHASE BEFORE CONTACTING US AT (773) 265-2371 OR VIA EMAIL AT SUPPORT@TEHILALAUNDRY.COM.**

## MATERIALS AND TOOLS NEEDED

Phillips Screwdriver, Flat Screwdriver, Silicone, Carpenters Level, Pliers, Pipe Wrench, Plumbers Putty, Hacksaw, Utility Knife.

## CARE AND MAINTENANCE

1. Clean the area of the mounting holes before installing the faucet.
2. To maintain the appearance of your faucet, always blot dry any water from the faucet's surface. Clean with a damp, non-abrasive sponge and wipe with a clean soft cloth. To remove water spots, apply warm water with a damp soft cloth. Always rinse thoroughly after using a cleaning agent.
3. Although the finish is extremely durable, it can be damaged by some cleaners. **DO NOT** use detergent powder, polishing powder, granular detergent, or a nylon brush to clean.
4. **DO NOT** use abrasive detergents. If used, rinse thoroughly and wipe dry with a soft cloth.
5. **DO NOT** install in working environments less than 32 degrees F (0 degrees C).
6. Shut off the water supply valves when the faucet will not be in use for an extended period of time.
7. **DO NOT** install the faucet in a rusty or corrosive environment.
8. **DO NOT TIGHTEN** the faucet too hard to avoid deformation or fracture.

## LIMITED WARRANTY INFORMATION

TEHILA® products are backed by a 1-year limited warranty. TEHILA warrants that its products will be free from defects in material and workmanship for a period of 1 year from the date of purchase. Proof of purchaser's receipt is required to receive this warranty. A replacement for any defective part will be supplied free of charge for installation by you. **This 1-year warranty covers the original consumer purchaser only and DOES NOT INCLUDE BUSINESS, COMMERCIAL, OR INDUSTRIAL USE OF THIS PRODUCT.** This warranty shall not apply to goods which have been subject to accidents, negligence, installation error, product abuse, or misuse. In no event will TEHILA be liable for any consequential, indirect, or special damages, nor shall TEHILA be liable for transportation, labor, or other charges arising out of the removal or reinstallation of its products. Defective parts must be made available for inspection by a TEHILA employee or an authorized representative. Some states do not allow limitations on how long an implied warranty lasts, so the above limitation may not apply to you.

### WARRANTY CLAIM PROCEDURES AND REQUIREMENTS:

To obtain TEHILA® warranty service, the customer will need to write to TEHILA explaining the defect, and include proof of purchase receipt, your name, phone number, email address, and mailing address. Information can be emailed to support@tehilalaundry.com or mailed to TEHILA® (Warranty Department), 990 E North Ave., Glendale Heights, IL 60148.

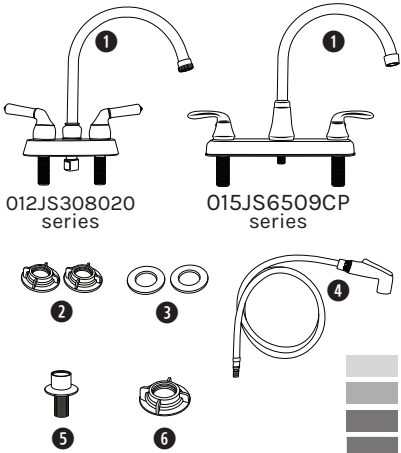


# Installation Instructions – Faucet with Side Sprayer & Pull-Out Faucet (012JS308020 Series, 015JS6509 Series, 012JSFCT10 Series)

Sku #: 012JS308020BLK, 012JS308020CP, 012JS308020SS, 015JS6509BLK, 015JS6509CP, 015JS6509SS, 012JSFCT10BLK, 012JSFCT10CP, 012JSFCT10SS

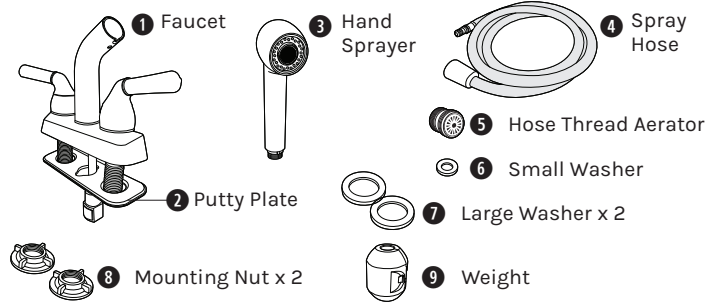
## WHAT'S INCLUDED IN THE BOX

### For 012JS308020 Series and 015JS6509 Series



1. Faucet (for 012JS308020 and 015JS6509 Series)
2. Mounting Nut x 2 (for Faucet)
3. Washer x 2 (for Faucet)
4. Side Sprayer
5. Side Sprayer Base
6. Large Mounting Nut (for Side Sprayer)

### For 012JSFCT10 Series

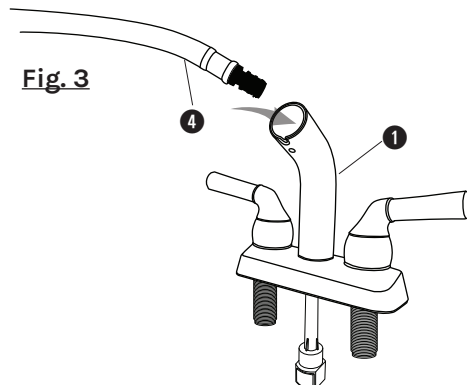
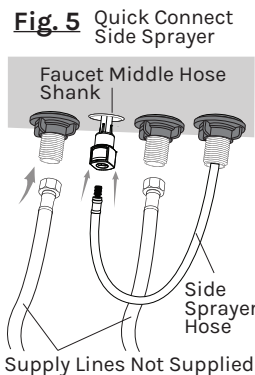
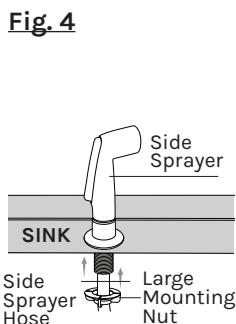
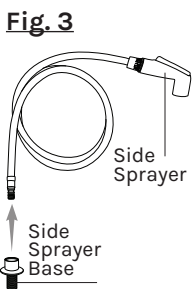
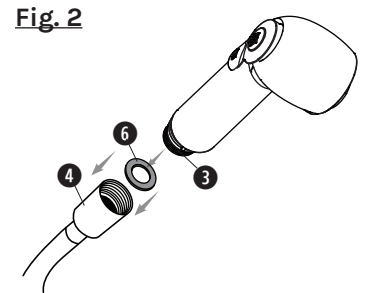
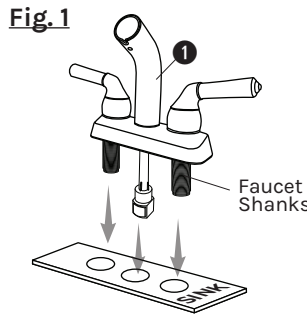
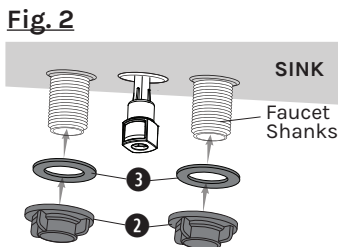
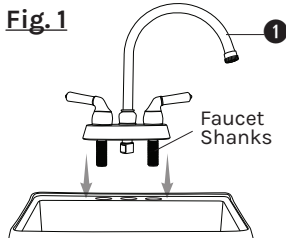


## STEP 1: INSTALLING THE FAUCET

**ATTENTION:** After installing the faucet, do not connect the hot and cold supply lines until the drainage kit is installed (drainage kit not supplied).

1. Shut off the hot and cold water supply from the stop valves and remove the existing faucet and sink.
2. From above the sink, slide the Faucet Shanks into the middle sink holes and position the faucet into the desired area (see Fig. 1).
3. From underneath the sink, insert Washers<sup>3</sup> into Faucet Shanks and tighten them with Mounting Nuts<sup>2</sup> (see Fig. 2).
4. Assemble the Side Sprayer<sup>4</sup> by sliding the Side Sprayer Base<sup>5</sup> into the hose (see Fig. 3).
5. From above the sink, insert the assembled Side Sprayer into the sink hole, and tighten it with Large Mounting Nut (see Fig. 4).
6. From underneath the sink, push the black threaded end of the Side Sprayer Hose<sup>4</sup> into the middle hose shank on the faucet until it clicks (see Fig. 5).

1. Shut off the hot and cold water supply from the stop valves and remove the existing faucet and sink.
2. Apply a thin bead of silicone sealant to the underside of the **Putty Plate**<sup>2</sup>. Carefully slide the **Faucet Shanks** into the sink hole and position the faucet into the desired area (see Fig. 1).
3. Insert **Small Washer**<sup>6</sup> into hose nut. Thread and tighten the **Hand Sprayer**<sup>3</sup> onto the **Spray Hose**<sup>4</sup> (see Fig. 2).
4. Insert the **Spray Hose**<sup>4</sup> in the spout until the **Hand Sprayer**<sup>3</sup> rests in the spout (see Fig. 3).



## WHAT'S INCLUDED IN THE BOX

### For 012JSFCT10 Series

- From below the sink, push the black threaded end of the **Spray Hose** into the middle hose shank on the faucet until it clicks (see Fig. 4).
- Attach the **Weight** to the hose, then align it with the Marked Label (see Fig. 5).
- (OPTIONAL) Hose Thread Outlet Aerator:** Remove the existing aerator from the pull-out spout with an adjustable wrench. Place the washer on the top side of the hose thread aerator. Place the large end of the coned spring onto the top side of the hose aerator. Insert into the spout and tighten (see Fig. 6).

Fig. 4

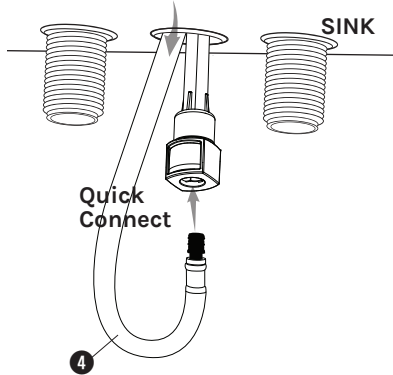


Fig. 5

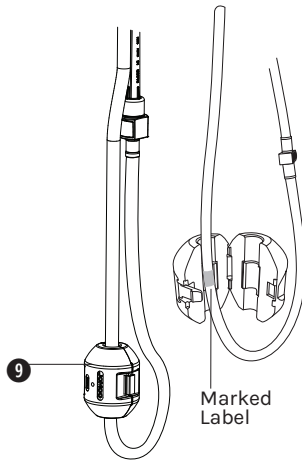
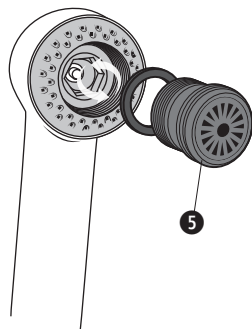
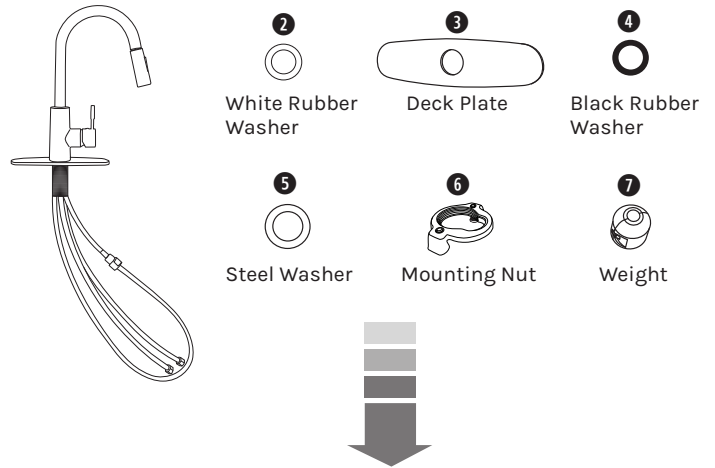


Fig. 6 (Optional)



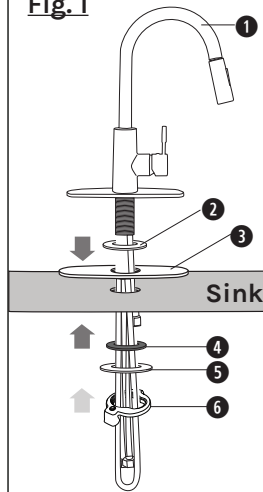
### For 015JS10510 Series



## STEP 1: INSTALLING THE FAUCET

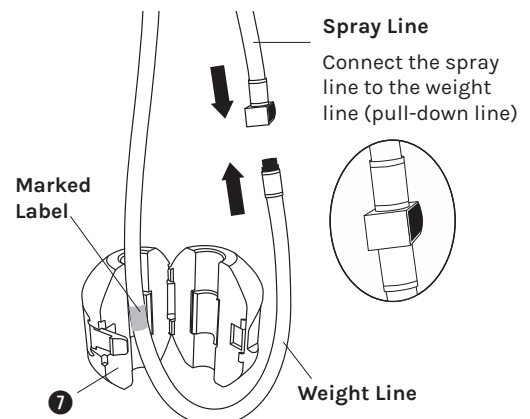
**ATTENTION:** After installing the faucet, do not connect the hot and cold supply lines until the drainage kit is installed (drainage kit not supplied).

Fig. 1



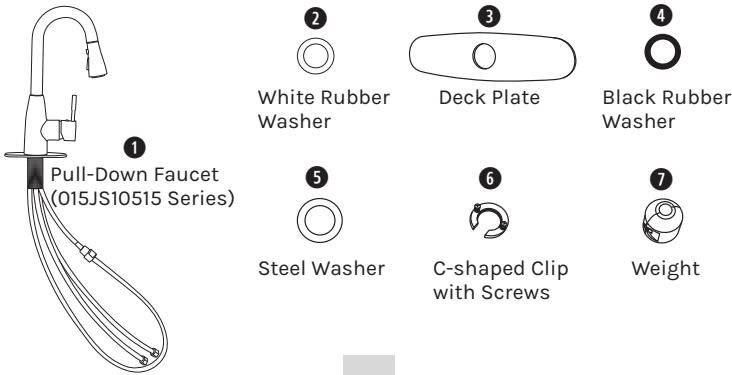
- Take the faucet out of the box.
- Attach **WHITE RUBBER WASHER** and **DECK PLATE** to faucet.
- Position faucet on sink.
- From underside of sink, assemble **BLACK RUBBER WASHER**, **STEEL WASHER**, and **MOUNTING NUT**. Tighten the locknut by hand and secure the screws with screwdriver (see Fig. 1).
- Fix the **WEIGHT** to the **WEIGHT LINE** and align it with the **MARKED LABEL** (see Fig. 2).
- Connect the **SPRAY LINE** to the **WEIGHT LINE** (see Fig. 2).

Fig. 2

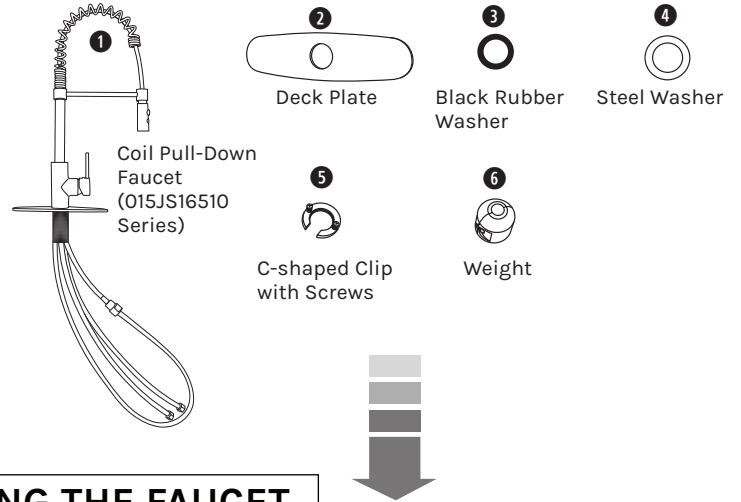


## WHAT'S INCLUDED IN THE BOX

### For 015JS10515 Series



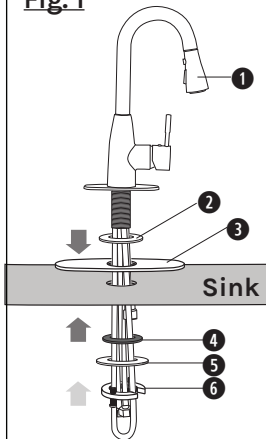
### For 015JS6510 Series



## STEP 1: INSTALLING THE FAUCET

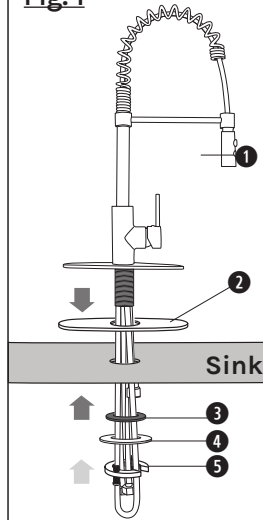
**ATTENTION:** After installing the faucet, do not connect the hot and cold supply lines until the drainage kit is installed (drainage kit not supplied).

Fig. 1



1. Take the faucet out of the box.
2. Attach **WHITE RUBBER WASHER** and **DECK PLATE** to faucet.
3. Position faucet on sink.
4. From underside of sink, assemble **BLACK RUBBER WASHER, STEEL WASHER, and C-SHAPED CLIP WITH SCREWS**. Tighten the locknut by hand and secure the screws with screwdriver (see Fig. 1).
5. Fix the **WEIGHT** to the **WEIGHT LINE** and align it with the **MARKED LABEL** (see Fig. 2).
6. Connect the **SPRAY LINE** to the **WEIGHT LINE** (see Fig. 2).

Fig. 1



1. Take the faucet out of the box.
2. Attach **DECK PLATE** to faucet.
3. Position faucet on sink.
4. From underside of sink, assemble **RUBBER WASHER, METAL WASHER, and C-SHAPED CLIP WITH SCREWS**. Tighten the locknut by hand and secure the screws with screwdriver (see Fig. 1).
5. Fix the **WEIGHT** to the **WEIGHT LINE** and align it with the **MARKED LABEL** (see Fig. 2).
6. Connect the **SPRAY LINE** to **WEIGHT LINE** (see Fig. 2).

Fig. 2

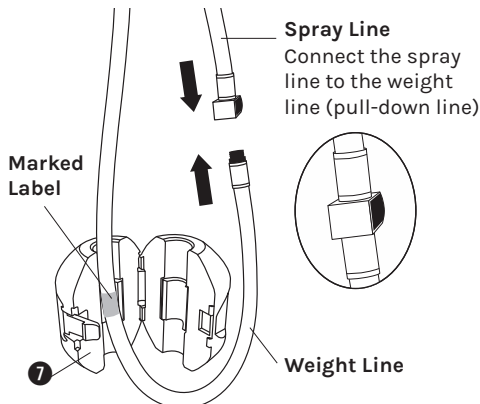


Fig. 2

