

# WALL-MOUNTED TUB WITH PULL-OUT FAUCET INSTALLATION INSTRUCTIONS

TEHILA®

## ⚠ ATTENTION ⚠

- PRIOR TO INSTALLATION:** Check all parts carefully to ensure no damage occurred in transit and no pieces are missing. **DO NOT** dispose of any packaging until you are satisfied with this product.
- SAFETY PRECAUTIONS:** Your installation must comply with all local plumbing codes. Have a qualified tradesman install or approve your plumbing installation. Always wear safety goggles and gloves during installation to avoid personal injury.
- NEED HELP?** Please call us at **1 (773) 265-2371** or contact us via email at [support@tehilalaundry.com](mailto:support@tehilalaundry.com) with any questions. Our normal business hours are Monday to Friday from 8 a.m. to 5 p.m. CST.  
**DO NOT RETURN THE UNIT TO THE PLACE OF PURCHASE BEFORE CONTACTING US AT 1 (773) 265-2371 OR VIA EMAIL AT SUPPORT@TEHILALAUNDRY.COM.**

## CARE AND MAINTENANCE

### FOR LAUNDRY TUB:

- Only soap or qualified non-abrasive surface cleaner and water should be used for cleaning the thermoplastic sink. Rinse well and dry with soft cloth to prevent scratches.
- Clean grease, oil, paint, and ink stains with isopropyl (rubbing) alcohol. Immediately rinse with water after stain removal.
- Avoid using razor blades or other sharp instruments that may damage or scratch the surface.

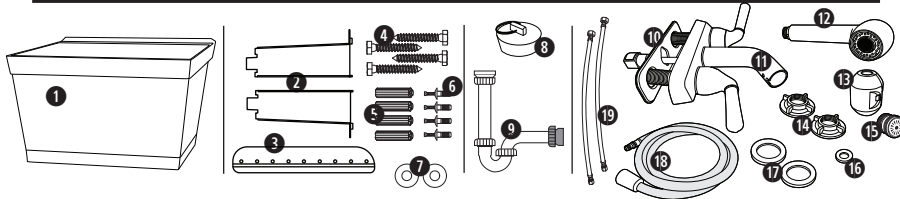
### FOR FAUCET:

- Clean the area of the mounting holes before installing the faucet.
- To maintain the appearance of your faucet, always blot dry any water from the faucet's surface. Clean with a damp, non-abrasive sponge and wipe with a clean soft cloth. To remove water spots, apply warm water with a damp soft cloth. Always rinse thoroughly after using a cleaning agent.
- Although the finish is extremely durable, it can be damaged by some cleaners. **DO NOT** use detergent powder, polishing powder, granular detergent, or a nylon brush to clean.
- DO NOT** use abrasive detergents. If used, rinse thoroughly and wipe dry with a soft cloth.
- DO NOT** install in working environments less than 32 degrees F (0 degrees C).
- Shut off the water supply valves when the faucet will not be in use for an extended period of time.
- DO NOT** install the faucet in a rusty or corrosive environment.
- DO NOT TIGHTEN** the faucet too hard to avoid deformation or fracture.

## MATERIALS AND TOOLS NEEDED

Phillips Screwdriver, Flat Screwdriver, Silicone, Carpenters Level, Pliers, Pipe Wrench, Plumbers Putty, Hacksaw, Utility Knife.

## WHAT'S INCLUDED IN THE BOX



### Tub:

1. Thermoplastic Sink
2. Left & Right Fillers
3. Mounting Bracket
4. Lag Screw

### Wall-Mounted Tub Kit:

5. Wall Anchor
6. Nail Rivet
7. Washer

### Drainage Kit:

8. Rubber Drain Plug
9. Drainage Kit

### Faucet:

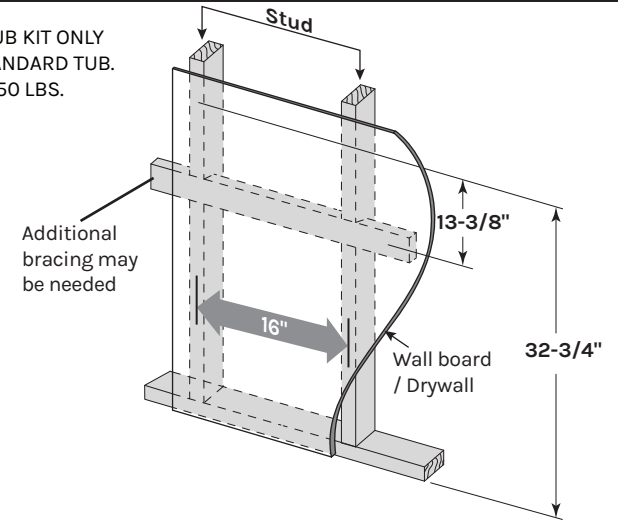
10. Putty Plate
11. Faucet
12. Hand Sprayer
13. Weight
14. Mounting Nut x2

### 15. Garden Hose Thread

16. Small Washer
17. Large Washer x2
18. Spray Hose
19. Supply Line x2

## DIAGRAM OF STUD LOCATIONS

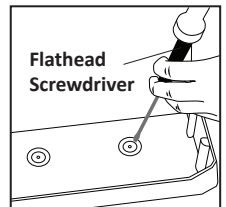
NOTE: THIS WALL-MOUNTED UTILITY TUB KIT ONLY CAN BE USED WITH TEHILA STANDARD TUB. THE KIT CAN SUPPORT UP TO 250 LBS. WHEN INSTALLED CORRECTLY.



## STEP-BY-STEP INSTALLATION INSTRUCTIONS

### STEP 1 ▶ How to punch out faucet holes:

Place the laundry tub on a clean surface, such as a blanket or carboard, and turn the tub upside down to allow for the removal of the pre-formed knockouts. These will accommodate the faucet that is going to be installed. The hole plugs may be removed by a flathead screwdriver or a small chisel and a hammer.

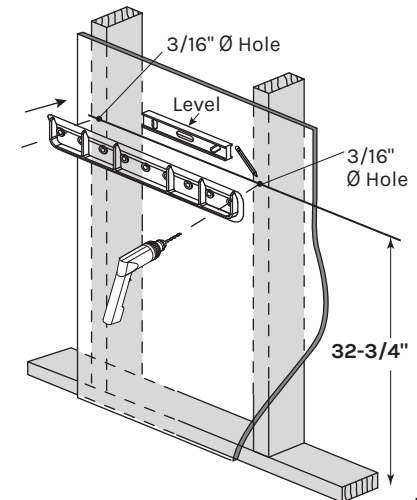


### STEP 2 ▶

Place the wall mounting bracket on the wall. Use a level to ensure the bracket is straight.

Make sure the drill holes are centered over each stud, then mark them.

Remove the bracket and pre-drill a 3/16" diameter hole into each stud.



NOTE: TYPICAL INSTALLATION SHOWN. LAG SCREW LOCATION MAY VARY DEPENDING ON STUD CENTERS. IF ATTACHING TO MASONRY WALL DRILL TWO (2) 3/8" DIAMETER HOLES.

INSTRUCTION: P11040JS3000 | 121772

TEHILALAUNDRY.COM | [support@tehilalaundry.com](mailto:support@tehilalaundry.com)

We reserve the right to make revisions in the design and information without notice | Image is for reference only, styles varies by models  
SKU Numbers: 040JS3000, 040JS3000GRY, 040JS3000BLK

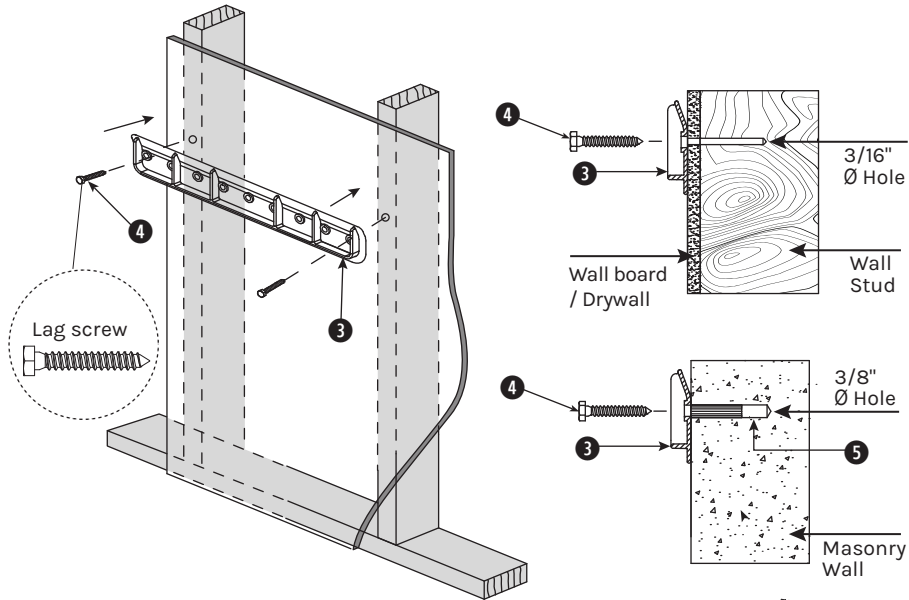
ID: 24889  
Rev. 02/14/2023

PG. 1

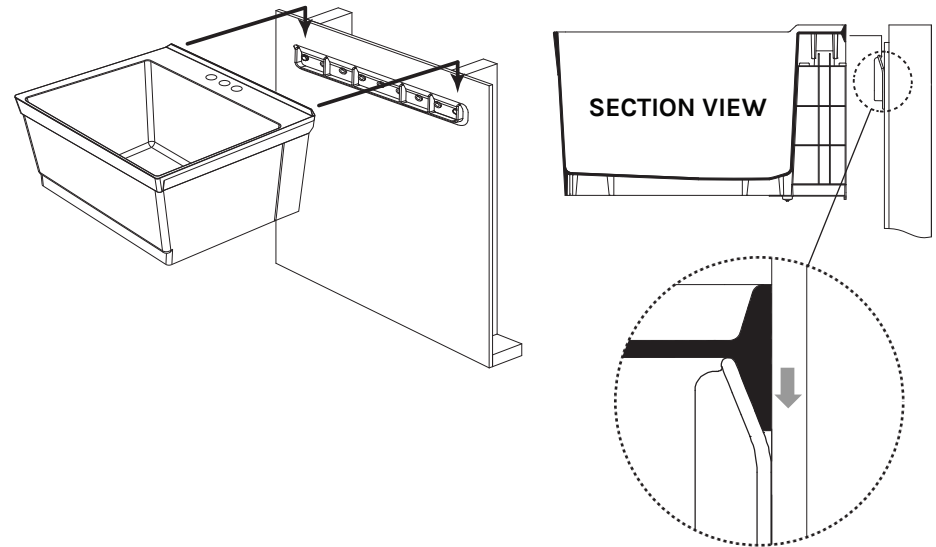
# WALL-MOUNTED TUB WITH PULL-OUT FAUCET INSTALLATION INSTRUCTIONS (CONT.)



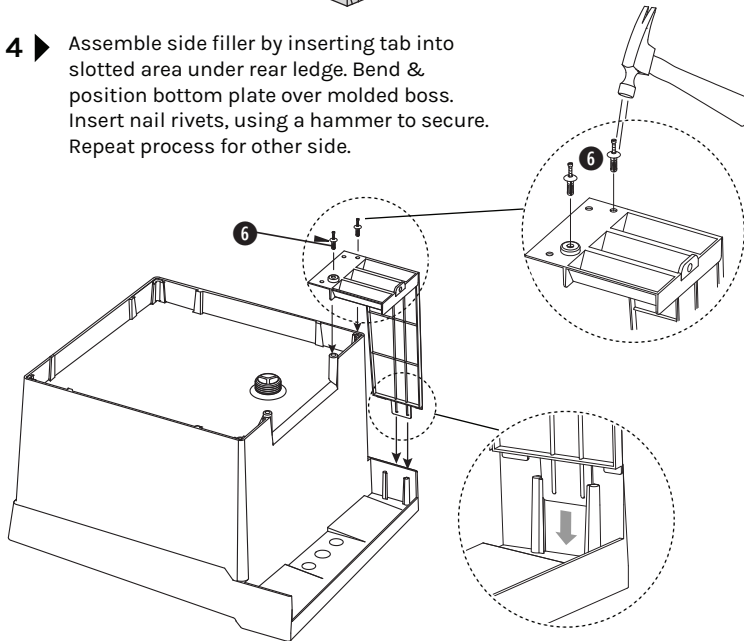
**STEP 3** ▶ Attach wall mounting bracket to wall using (2) lag screws. Wall mounting bracket must be straight & level.



**STEP 5** ▶ Place utility tub onto wall mounting bracket (see section view). Apply downward pressure to seat the tub onto bracket.



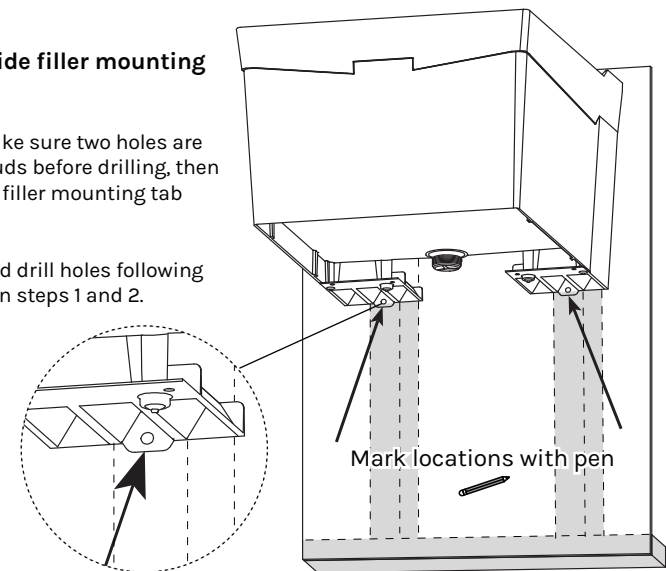
**STEP 4** ▶ Assemble side filler by inserting tab into slotted area under rear ledge. Bend & position bottom plate over molded boss. Insert nail rivets, using a hammer to secure. Repeat process for other side.



**STEP 6** ▶ Mark location of side filler mounting tab holes:

Use stud finder to make sure two holes are centered over wall studs before drilling, then mark location of side filler mounting tab holes with pen.

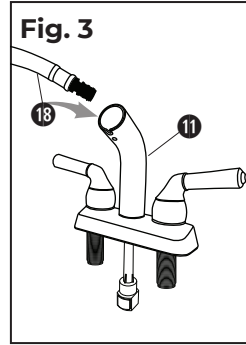
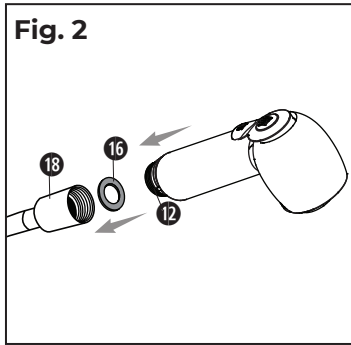
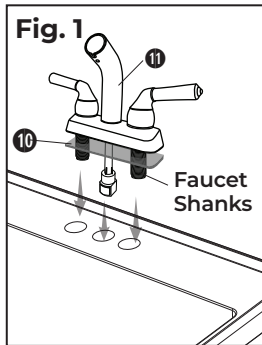
Remove utility tub and drill holes following procedures outlined in steps 1 and 2.



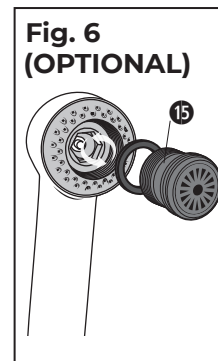
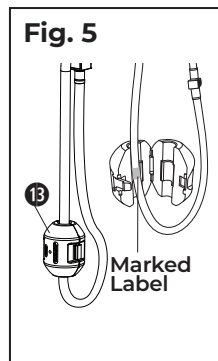
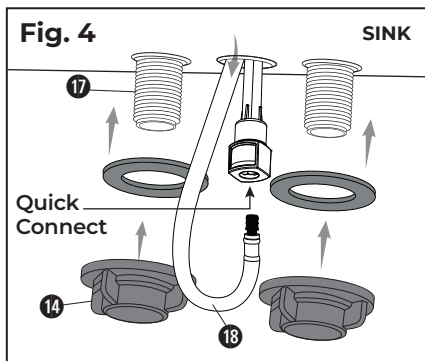
## STEP 7 ▶

### Installing the laundry faucet:

1. Shut off the hot and cold water supply from the stop valves and remove the existing faucet and sink.
2. Apply a thin bead of silicone sealant to the underside of the **Putty Plate** 10. Carefully slide the **Faucet Shanks** into the sink hole and position the faucet into the desired area (see Fig. 1).
3. Insert the **Large Washers** 17 and **Mounting Nuts** 14 onto the left and right shank on the faucet, and tighten both **Mounting Nuts** 14 (see Fig. 4).
4. Insert **Small Washer** 16 into hose nut. Thread and tighten the **Hand Sprayer** 12 onto the **Spray Hose** 18 (see Fig. 2).

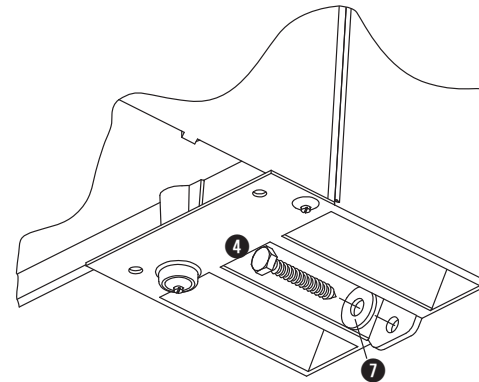


4. Insert the **Spray Hose** 18 in the spout until the **Hand Sprayer** 12 rests in the spout (see Fig. 3).
5. From below the sink, push the **Spray Hose** 18 into the quick connect fitting on the faucet until it clicks (see Fig. 4).
6. Attach the **Weight** 13 to the hose, then align it with the **Marked Label** (see Fig. 5).
7. **DO NOT CONNECT THE HOT & COLD SUPPLY LINES YET. SEE STEP 11 FOR CONNECTING SUPPLY LINES.**
8. **(OPTIONAL) Hose Thread Outlet Aerator:** Remove the existing aerator from the pull-out spout with an adjustable wrench. Place the washer on the top side of the hose thread adapter. Place the large end of the coned spring onto the top side of the hose adapter. Insert into the spout and tighten (see Fig. 6).



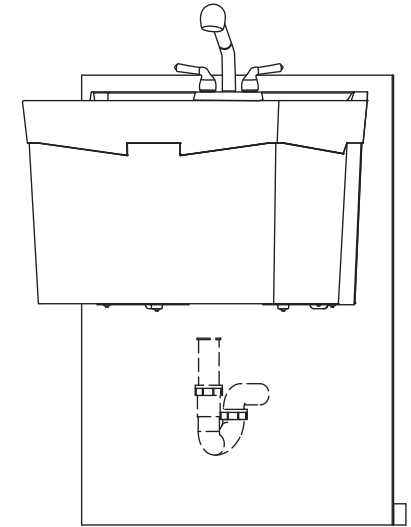
## STEP 8 ▶

Re-hang utility tub onto wall bracket and secure side fillers to wall with lag screws and washers as shown in below image.



## STEP 9 ▶

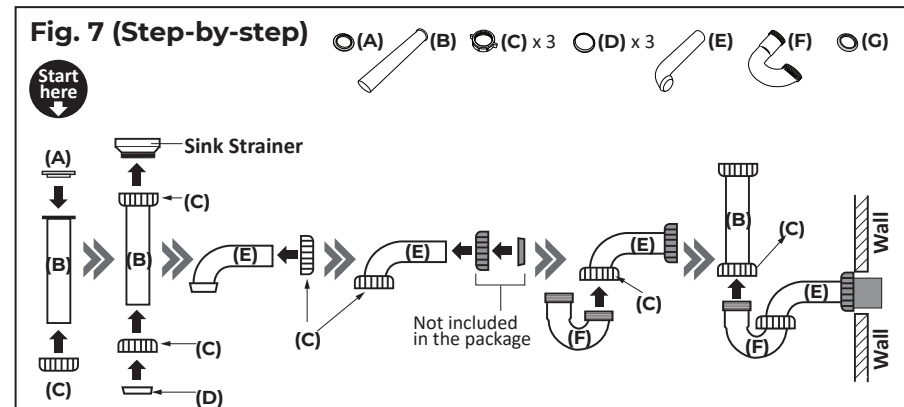
Attach drain connection according to local code requirements.



## STEP 10 ▶

### Installing the plastic drainage:

NOTE: When installing new plastic drainage, loosely tighten all pieces first to make sure of proper fit, then make final connections.



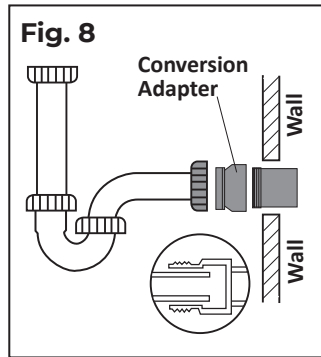
## STEP 10 (Continue) ▶

Step-by-step (see Fig. 7):

1. Slide **Slip Nut (C)** threads up onto the **Tail-Piece (B)**, and insert **Flanged Washer (A)** in top of **Flanged Tail-Piece (B)**.
2. Tighten the top **Tail-Piece(B)** to the **Sink Strainer** with **Slip Nut (C)**.
3. Insert **Slip Nut (C)** threads down and **Washer (D)** on bottom end of the **Tail-Piece (B)**.
4. Insert **Slip Nut (C)** threads down onto **Wall Tube (E)**, then insert **Slip Nut** and **Washer** (not provided) onto other end of **Wall Tube (E)**.
5. Place flanged end of **Wall Tube (E)** into lower portion of **J-Bend (F)** and tighten with **Slip Nut (C)**. If wall connection is standard 1 1/2 in. threaded pipe, install wall tube directly into pipe and tighten **Slip Nut** and **Washer** (not provided).

**NOTE:** If wall connection is to 1 1/2 in. plastic pipe, a **Conversion Adapter**, purchased separately, will be required for proper installation (see Fig. 8).

6. Swing **J-Bend (F)** to align with bottom of flanged **Tail-Piece (B)**. Connect **J-Bend (F)** to **Tail-Piece (B)** and tighten it with **Slip Nut (C)**. If tail-piece is too long, a hacksaw or tubing cutter may be used to trim away excess material.



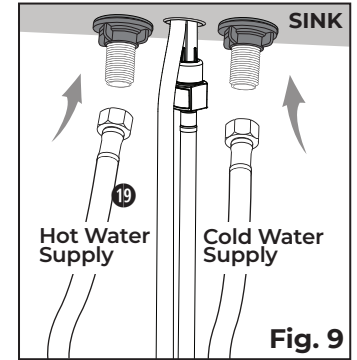
## STEP 11 ▶

Connecting supply lines to stop valves:

1. Install new water supply lines according to the manufacturer's installation instructions. **DO NOT** reuse existing supply lines. (see Fig. 9).
2. Turn on the hot and cold water shut off valves. **CHECK FOR ANY LEAKS AT THESE CONNECTIONS BEFORE RUNNING THE FAUCET.** If leaks are found, tighten slightly until the leak stops.
3. Remove the **Hand Sprayer** and run the faucet for at least a minute, as this will flush out any sediment that may have been dislodged during installation. While the water is running, check for leaks at the spray hose connection underneath the faucet deck.

**If leaks are found:**

- (A) Tighten slightly until the leak stops;
- (B) Re-attach the **Hand Sprayer** to the hose, making sure the **Small Washer** is inside the hose nut.



## 1-YEAR LIMITED WARRANTY INFORMATION

**TEHILA®** products are backed by a 1-year limited warranty. TEHILA warrants that its products will be free from defects in material and workmanship for a period of 1 year from the date of purchase. Proof of purchaser's receipt is required to receive this warranty. A replacement for any defective part will be supplied free of charge for installation by you. This 1-year warranty covers the original consumer purchaser only and **DOES NOT INCLUDE BUSINESS, COMMERCIAL, OR INDUSTRIAL USE OF THIS PRODUCT**. This warranty shall not apply to goods which have been subject to accidents, negligence, installation error, product abuse, or misuse. In no event will TEHILA be liable for any consequential, indirect, or special damages, nor shall TEHILA be liable for transportation, labor, or other charges arising out of the removal or reinstallation of its products. Defective parts must be made available for inspection by a TEHILA employee or an authorized representative. Some states do not allow limitations on how long an implied warranty lasts, so the above limitation may not apply to you.

### WARRANTY CLAIM PROCEDURES AND REQUIREMENTS:

To obtain TEHILA® warranty service, the customer will need to write to TEHILA explaining the defect, and include proof of purchase receipt, your name, phone number, email address, and mailing address. Information can be emailed to **support@tehilalaundry.com** or mailed to **TEHILA® (Warranty Department), 990 E North Ave., Glendale Heights, IL 60148.**