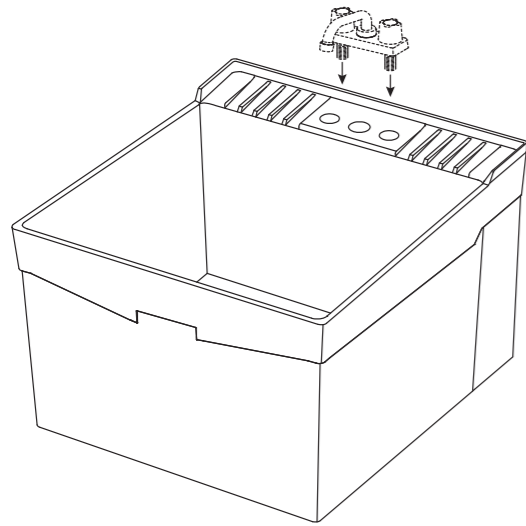


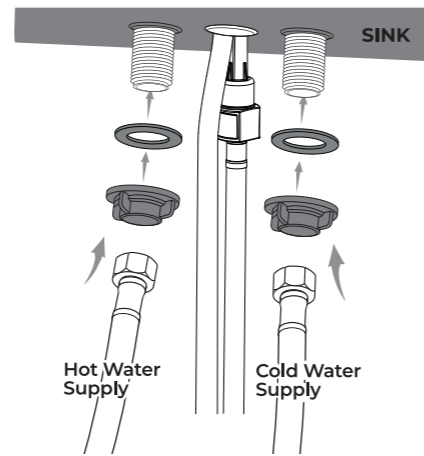
# FLOATING UTILITY TUB KIT INSTALLATION INSTRUCTIONS



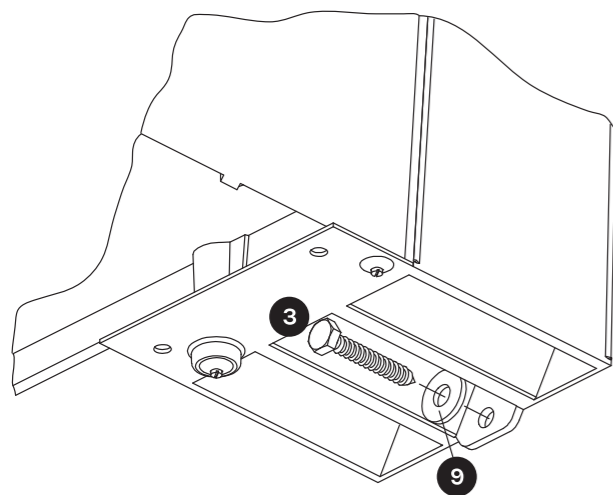
**STEP 6** Mount faucet (not supplied) to the tub following manufacturers requirements'.



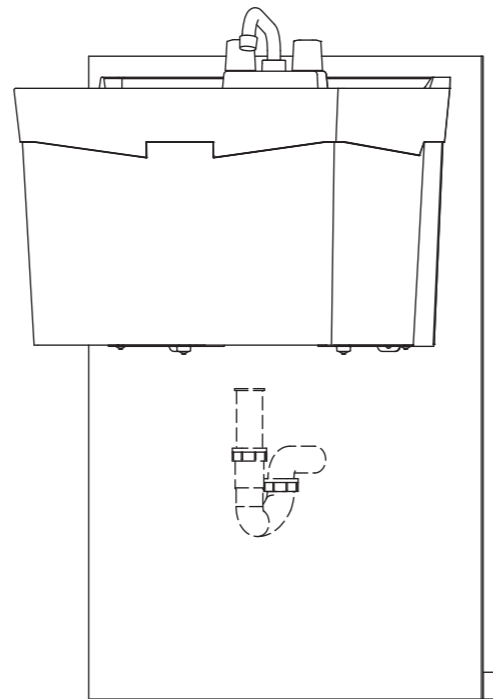
**STEP 7** Connect supply lines (not supplied) to the faucet following manufacturers requirements'.



**STEP 8** Re-hang utility tub onto wall bracket and secure side fillers to wall with lag screws and washers as shown in below image.



**STEP 9** Attach drain connection according to local code requirements (drainage kit not supplied).



# FLOATING UTILITY TUB KIT INSTALLATION INSTRUCTIONS



## ATTENTION

- 1. PRIOR TO INSTALLATION:** Check all parts carefully to ensure no damage occurred in transit and no pieces are missing. **DO NOT** dispose of any packaging until you are satisfied with this product.
- 2. SAFETY PRECAUTIONS:** Your installation must comply with all local plumbing codes. Have a qualified tradesman install or approve your plumbing installation. Always wear safety goggles and gloves during installation to avoid personal injury.
- 3. NEED HELP?** Please call us at 1 (773) 265-2371 or contact us via email at support@tehilalaundry.com with any questions. Our normal business hours are Monday to Friday from 8 a.m. to 5 p.m. CST.

**DO NOT RETURN THE UNIT TO THE PLACE OF PURCHASE BEFORE CONTACTING US AT 1 (773) 265-2371 OR VIA EMAIL AT SUPPORT@TEHILALAUNDRY.COM.**

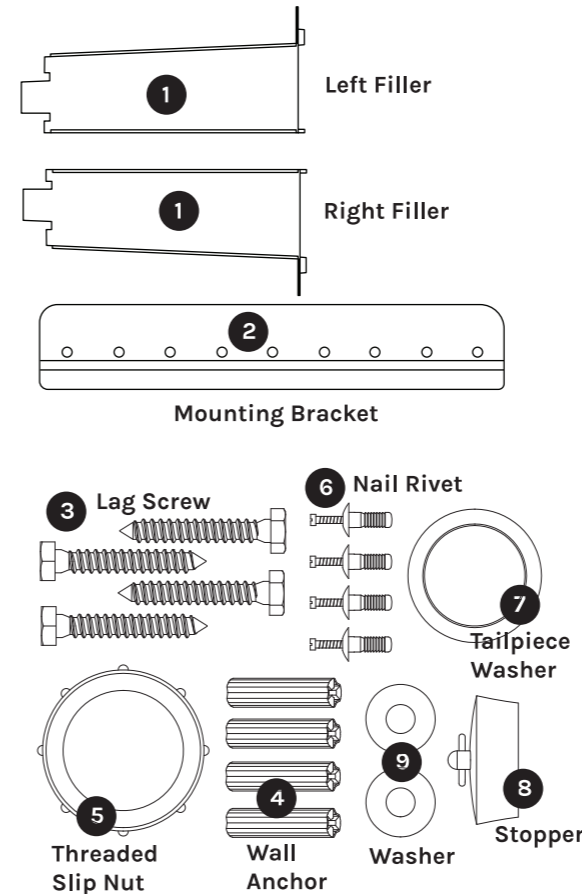
### MATERIALS & TOOLS NEEDED

Hammer      Electric Drill      Wrench

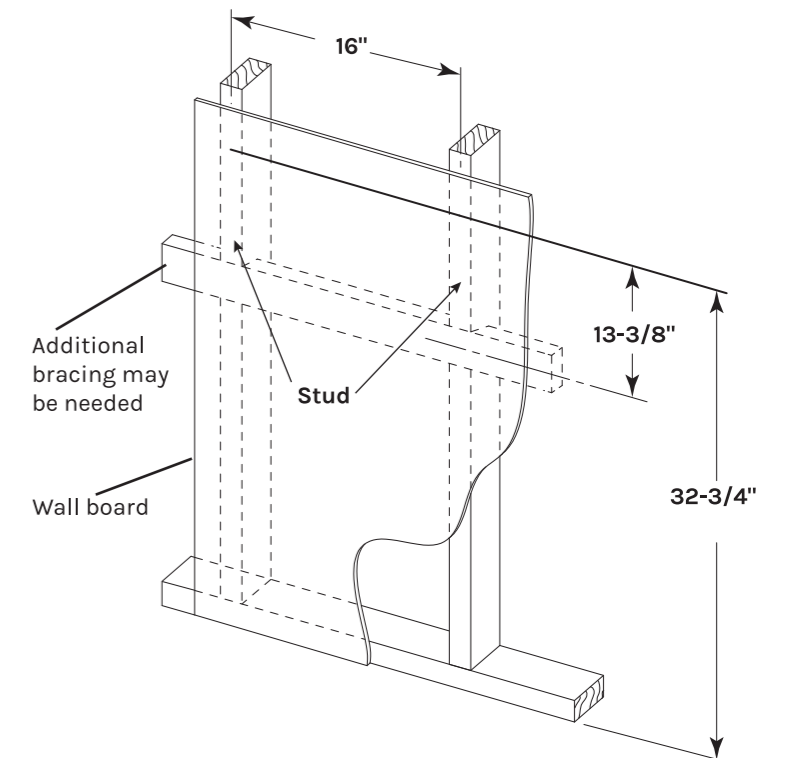
Stud Finder      Level      Tape Measure

**NOTE: THIS FLOATING UTILITY TUB KIT ONLY CAN BE USED WITH TEHILA STANDARD TUB. THE KIT CAN SUPPORT UP TO 250 LBS. WHEN INSTALLED CORRECTLY.**

## WHAT'S INCLUDED IN THE BOX



## DIAGRAM OF STUD LOCATIONS



**INSTRUCTION: 116937**

**TEHILALAUNDRY.COM | support@tehilalaundry.com**

We reserve the right to make revisions in the design and information without notice. Image is for reference only, styles varies by models



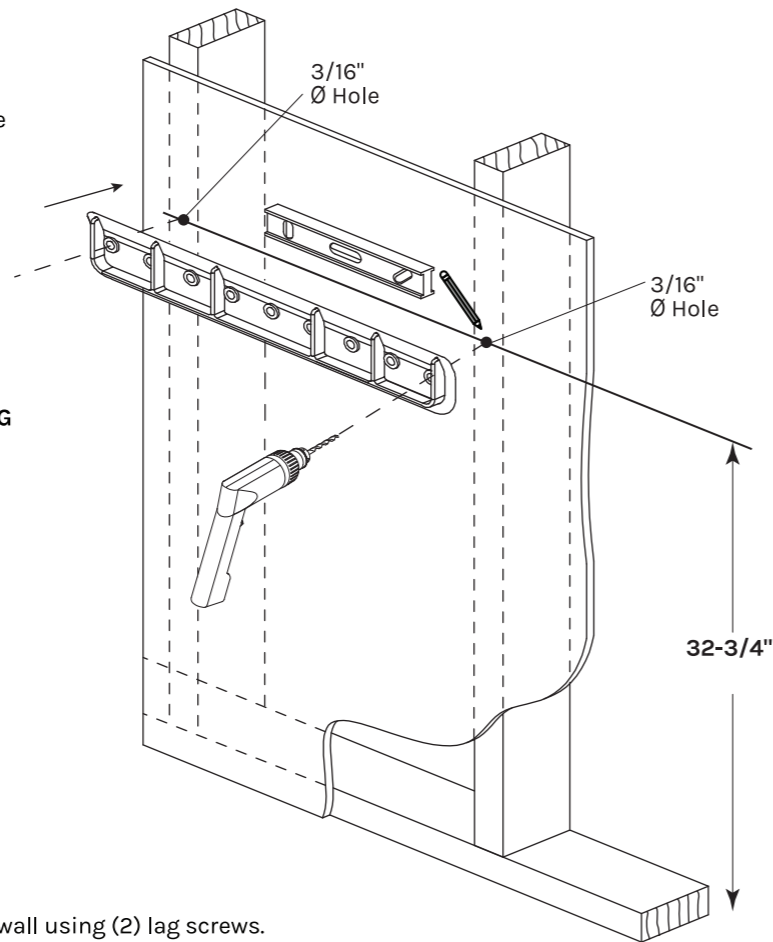
**STEP 1**

Place the wall mounting bracket on the wall. Use a level to ensure the bracket is straight.

Make sure the drill holes are centered over each stud, then mark them.

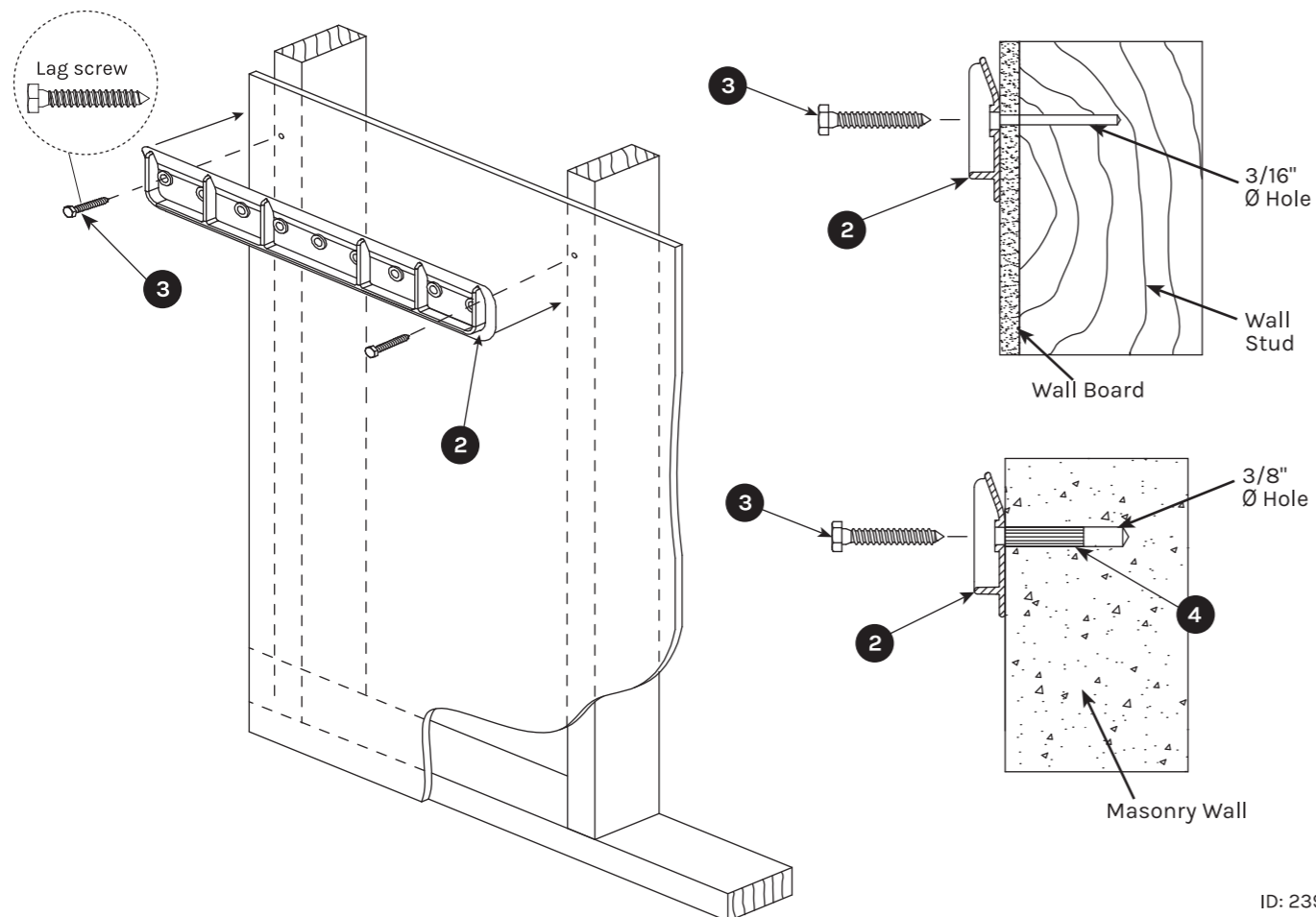
Remove the bracket and pre-drill a 3/16" diameter hole into each stud.

**NOTE: TYPICAL INSTALLATION SHOWN. LAG SCREW LOCATION MAY VARY DEPENDING ON STUD CENTERS. IF ATTACHING TO MASONRY WALL DRILL TWO (2) 3/8" DIAMETER HOLES.**



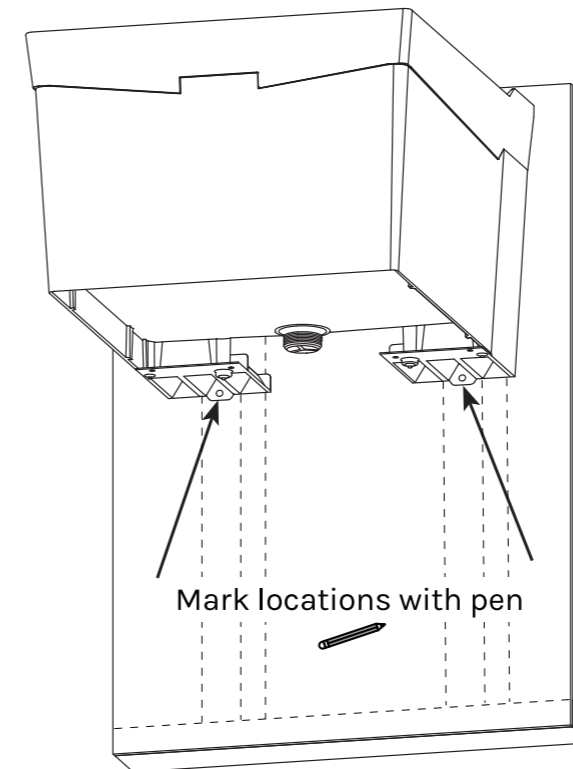
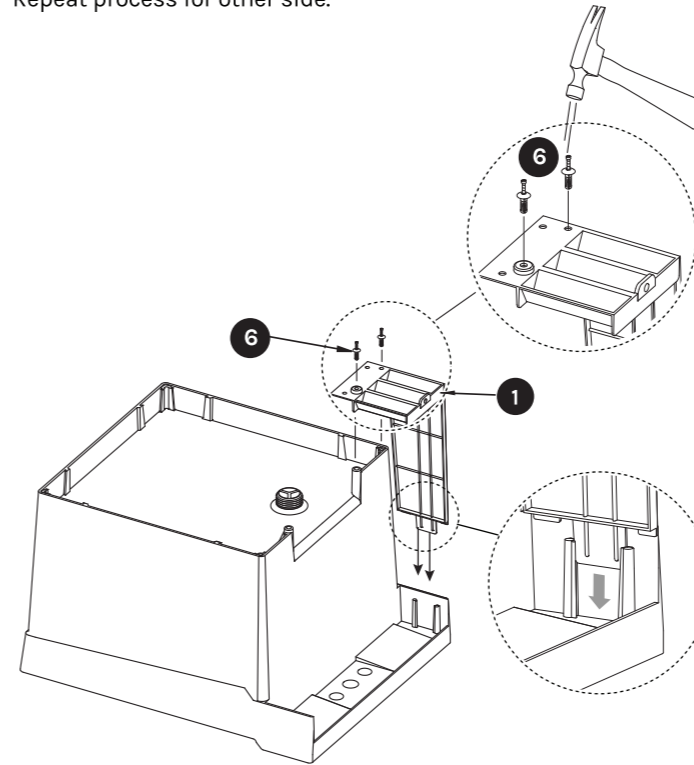
**STEP 2**

Attach wall mounting bracket to wall using (2) lag screws. Wall mounting bracket must be straight & level.



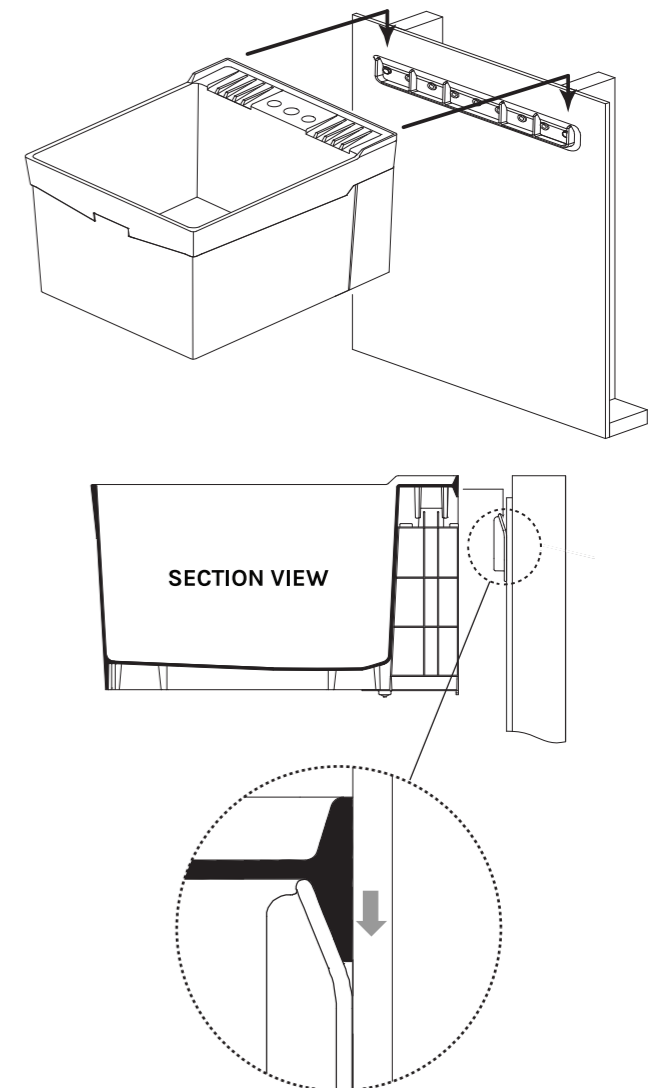
**STEP 3**

Assemble side filler by inserting tab into slotted area under rear ledge. Bend & position bottom plate over molded boss. Insert nail rivets, using a hammer to secure. Repeat process for other side.



**STEP 4**

Place utility tub onto wall mounting bracket (see section view).



**STEP 5**

**Mark location of side filler mounting tab holes:**

Use stud finder to make sure two holes are centered over wall studs before drilling, then mark location of side filler mounting tab holes with pen.

Remove utility tub and drill holes following procedures outlined in steps 1 and 2.