

# INSTALLATION INSTRUCTIONS



## ⚠ ATTENTION ⚠

- 1. PRIOR TO INSTALLATION:** Check all parts carefully to ensure no damage occurred in transit and no pieces are missing. **DO NOT** dispose of any packaging until you are satisfied with this product.
- 2. SAFETY PRECAUTIONS:** Your installation must comply with all local plumbing codes. Have a qualified tradesman install or approve your plumbing installation. Always wear safety goggles and gloves during installation to avoid personal injury.
- 3. NEED HELP?** Please call us at **1 (773) 265-2371** or contact us via email at [support@tehilalaundry.com](mailto:support@tehilalaundry.com) with any questions. Our normal business hours are Monday to Friday from 8 a.m. to 5 p.m. CST.

**DO NOT RETURN THE UNIT TO THE PLACE OF PURCHASE BEFORE CONTACTING US AT 1 (773) 265-2371 OR VIA EMAIL AT SUPPORT@TEHILALAUNDRY.COM.**

## CARE AND MAINTENANCE

### FOR LAUNDRY TUB:

1. Only soap and water should be used for cleaning the ABS plastic sink. Using other chemicals such as chlorides, acetone (nail polish remover), nail polish, lacquer thinners, dry cleaning solution, gasoline, pine oil, ketones and degreasers will cause the sink to discolor. Rinse well and dry with soft cloth to prevent scratches.
2. Clean grease, oil, paint and ink stains with isopropyl (rubbing alcohol), immediately rinse with water after stain removal.
3. Avoid using razor blades or other sharp instruments that may fall and scratch the surface.

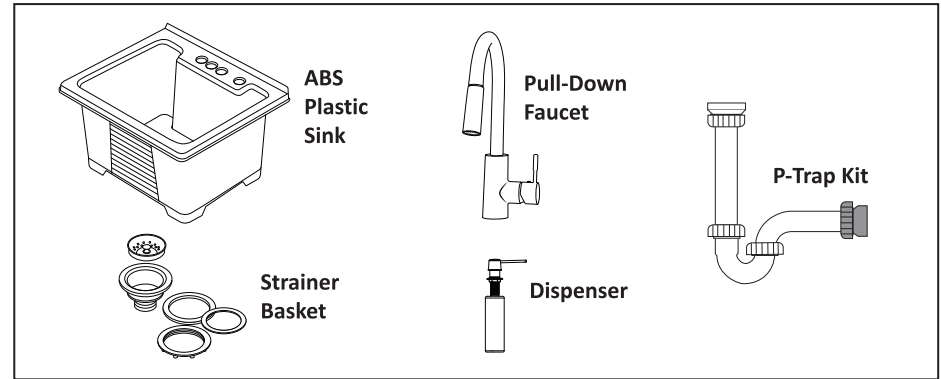
### FOR FAUCET:

1. To maintain the appearance of your faucet, always blot dry any water from the faucet's surface. Clean with a damp, non-abrasive sponge and wipe with a clean soft cloth. To remove water spots, apply warm water with a damp soft cloth. Always rinse thoroughly after using a cleaning agent.
2. Although the finish is extremely durable, it can be damaged by some cleaners. **DO NOT** use detergent powder, polishing powder, granular detergent or nylon brush to clean.
3. **DO NOT** use abrasive detergents. If used, rinse thoroughly and wipe dry with a soft cloth.
4. **DO NOT** install in working environments less than 32 degrees F (0 degree C).
5. Shut off the water supply valves when the faucet will not be in use for an extended period of time.
6. **DO NOT** install the faucet in a rusty or corrosive environment.

## MATERIALS AND TOOLS NEEDED

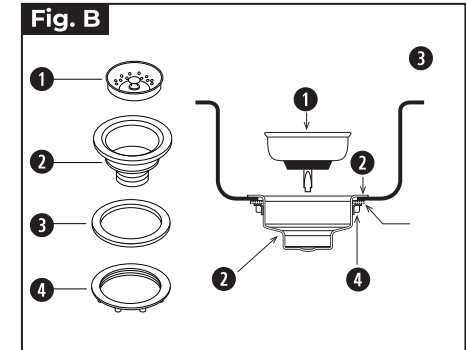
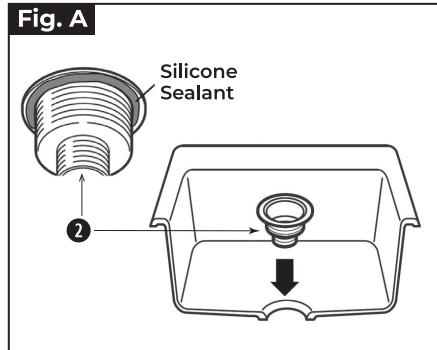
Phillips Screwdriver, Flat Screwdriver, Silicone, Carpenters Level, Pliers, Pipe Wrench, Plumbers Putty, Hacksaw, Utility Knife.

## WHAT'S INCLUDED IN THE BOX



## STEP 1: INSTALLING THE SINK STRAINER

1. Place the laundry tub on a clean surface such as a blanket or a carboard.
2. Apply a ring of silicone sealant to the underside of the strainer flange on the **Strainer Body** ② (see Fig. A).
3. Above the sink: insert the **Strainer Body** ② into the opening in the sink (see Fig. 1).
4. Underneath the sink: assemble the **Rubber Gasket** ③ and **Locknut** ④ onto the **Strainer Body** ②, hand tighten the **Locknut** ④. Verify the strainer assembly is properly aligned before tightening with a wrench. (see Fig. B).
5. Wipe away any excess sealant from around the strainer flange.



INSTRUCTION: PIIJS7717 | 117030

TEHILALAUNDRY.COM | [support@tehilalaundry.com](mailto:support@tehilalaundry.com)

We reserve the right to make revisions in the design and information without notice | Image is for reference only, styles varies by models  
SKU Numbers: 040 JS7717BLK, 040 JS7717CP, 040 JS7717SS

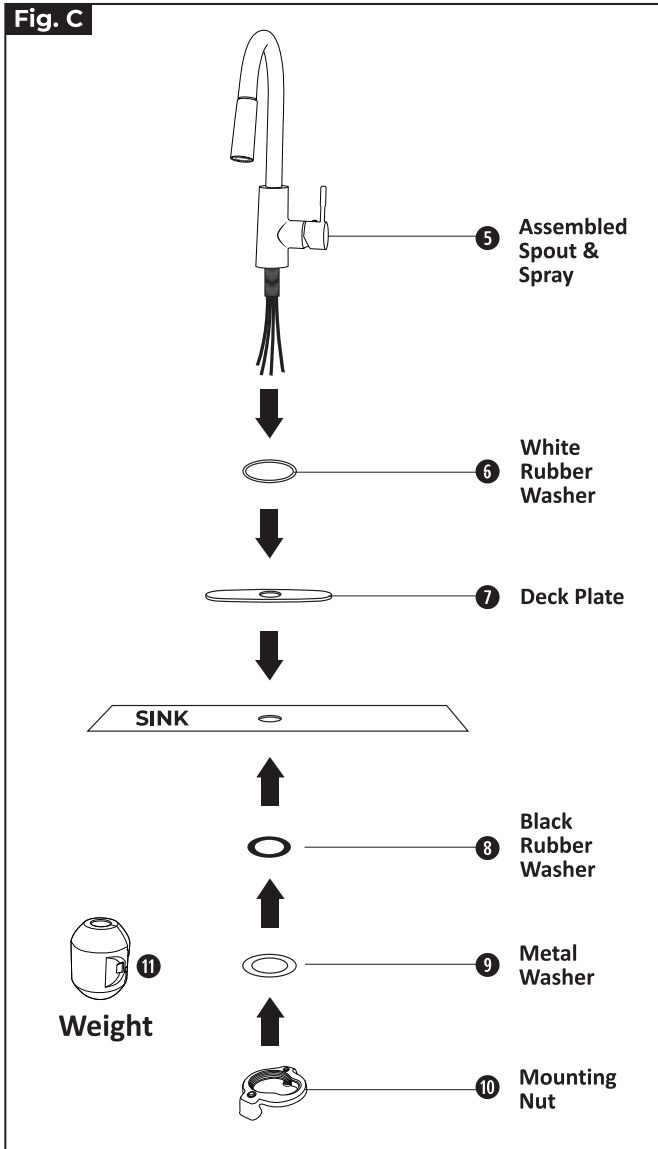
ID: 17781  
Rev. 01/13/2023

PG. 1

# INSTALLATION INSTRUCTIONS (CONT.)

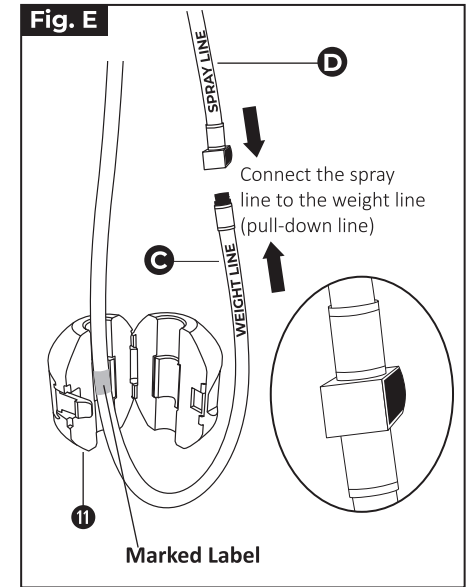
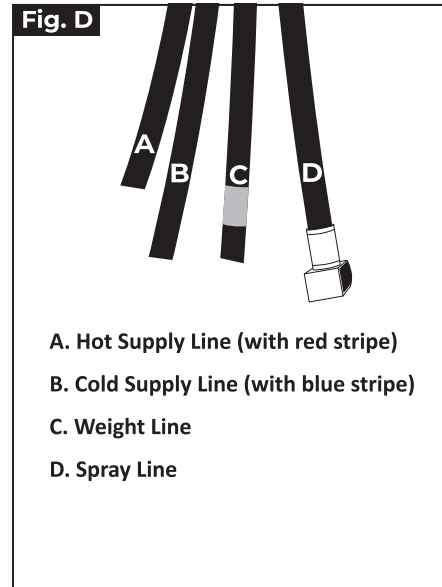


## STEP 2: INSTALLING THE LAUNDRY FAUCET



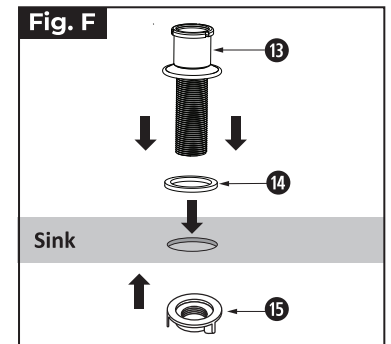
## INSTALLATION STEPS

1. Shut off water before starting.
2. Assemble **White Rubber Washer** ⑥ and **Deck Plate** ⑦ to faucet (see Fig. C).
3. Position faucet on sink.
4. From underside of sink, assemble **Black Rubber Washer** ⑧, **Metal Washer** ⑨ and **Mounting Nut** ⑩. Tighten the **Mounting Nut** ⑩ by hand and secure the screws with screwdriver (see Fig. C).
5. Fix the **Weight** ⑪ to the **Weight Line**, align it with the “marked Label” (see Fig. D and Fig. E).
6. Connect the **Spray Line** to **Weight Line** (see Fig. E).
7. **DO NOT CONNECT THE HOT & COLD SUPPLY LINES YET. SEE STEP 6 FOR CONNECTING SUPPLY LINES.**



## STEP 3: INSTALLING THE SOAP DISPENSER

1. From above the sink: insert the **Base Assembly** ⑬ and **Rubber Gasket** ⑭ into the sink hole opening (see Fig. F).
2. From underneath the sink: secure the **Base Assembly** ⑬ to the sink using the **Plastic Wing Nut** ⑮ (see Fig. F).



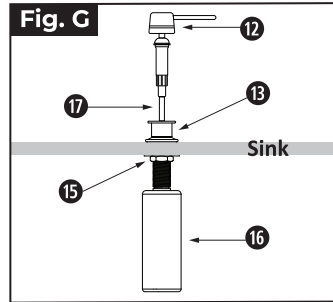
# INSTALLATION INSTRUCTIONS (CONT.)



## STEP 3 (CON'T): INSTALLING THE SOAP DISPENSER

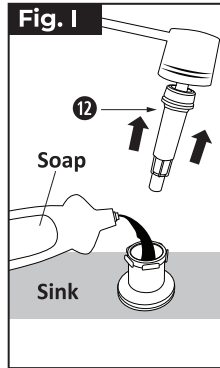
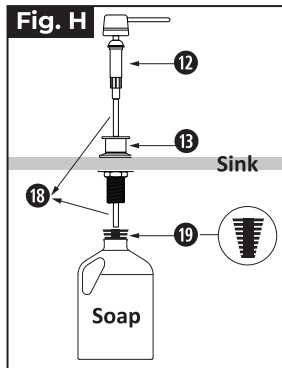
### USING THE SOAP DISPENSER WITH THE INCLUDED BOTTLE (see Fig. G)

1. Screw the **Bottle** 16 into the **Base Assembly** 13 from underneath the sink.
2. Fill the bottle by pouring soap through the base assembly from above the sink after sink is completely installed (see Fig. I).
3. Attach the 7" **Tubing** 17 to the bottom of the **Head Assembly** 12.



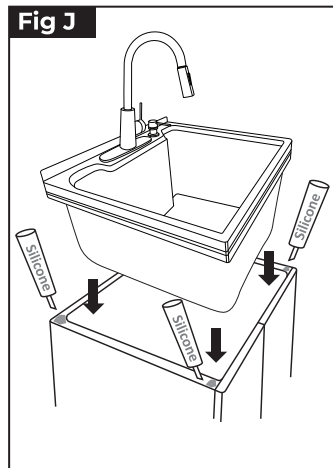
### USING THE SOAP DISPENSER WITH THE INCLUDED 3' FLEXIBLE TUBING AND RUBBER HOSE GUIDE (see Fig. H)

1. Attach one end of the 3' **Flexible Tubing** 18 to the bottom of the **Head Assembly** 12.
2. From above the sink, run the assembled 3' **Flexible Tubing** 18 through the **Base Assembly** 13.
3. Take the cap off from the bottle of **Soap** (sold separately).
4. Insert the **Rubber Hose Guide** 19 to the **Soap** opening, slide other end of the 3' **Flexible Tubing** 18 through the **Rubber Hose Guide** 19 into the **Soap**.
5. The **Flexible Tubing** 18 can be cut shorter if needed.



## STEP 4: INSTALLING THE SINK TO THE CABINET

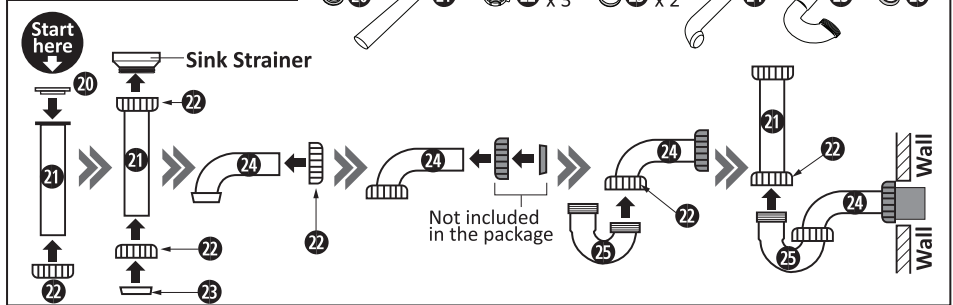
1. Place vanity in its desired position.
2. Place sink with faucet attached into cabinet. Check if all supply lines can be attached.
3. Level vanity with levelers on legs.
4. Remove sink. Anchor vanity to the wall. It is recommended you anchor the vanity to the wall. Place 1 bead of silicone in each corner of the cabinet and drop the sink back in (see Fig. J). Gently move the sink side to side to give the silicone a stronger hold.



## STEP 5: INSTALLING THE PLASTIC DRAINAGE

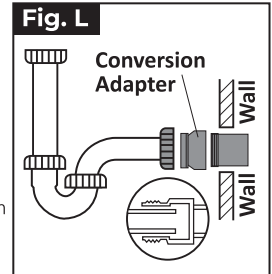
**NOTE:** When installing new plastic drainage, loosely tighten all pieces first to make sure of proper fit, then make final connections.

### Fig. K (STEP BY STEP)



### STEP BY STEP (see Fig. K):

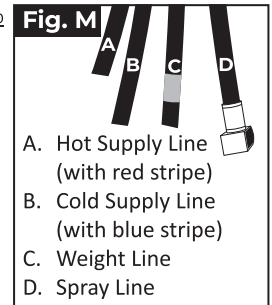
1. Slide **Slip Nut** 22 threads up onto the **Tail-Piece** 21, and insert **Flanged Washer** 20 in top of **Flanged Tail-Piece** 21.
2. Tighten the top **Tail-Piece** 21 to the **Sink Strainer** with **Slip Nut** 22.
3. Insert **Slip Nut** 22 threads down and **Washer** 23 in bottom end of the **Tail-Piece** 21.
4. Insert **Slip Nut** 22 threads down onto **Wall Tube** 24, insert **Slip Nut** and **Washer** (not provided) onto other end of **Wall Tube** 24.
5. Place flanged end of **Wall Tube** 24 into lower portion of **J-Bend** 25 and tighten with **Slip Nut** 22. If wall connection is standard 1 1/2" threaded pipe, install wall tube directly into pipe and tighten **Slip Nut** and **Washer** (not provided). **NOTE:** If wall connection is to 1 1/2" plastic pipe, a **Conversion Adapter** purchased separately will be required for proper installation (see Fig. L).
6. Swing **J-Bend** 25 to align with bottom of flanged **Tail-Piece** 21. Connect **J-Bend** 25 to **Tail-Piece** 21 and tighten it with **Slip Nut** 22. If tail-piece is too long a hacksaw or tubing cutter may be used to trim away excess material.



## STEP 6: CONNECTING SUPPLY LINES TO STOP VALES

**WARNING: DO NOT** re-use existing supply lines. **DO NOT** expose supply lines to any household or chemical products. **DO NOT** use any pipe thread compounds or thread lubricant products. Exposure can lead to a catastrophic failure or flood.

1. Connect **HOT & COLD SUPPLY LINES** to matching water supply valves and secure the connection with an adjustable wrench.
2. Turn on the hot and cold water valves. Run the water flow for 15 seconds to clean up the lines and check for any leaks. If leaks occur, tighten the nuts on the water supply lines and shut off valve.
3. With the water turned on, test to make sure the faucet sprayer changes between stream and spray by pressing the buttons on the nozzle head.



# 1-YEAR LIMITED WARRANTY INFORMATION

**TEHILA®** products are backed by a 1-year limited warranty. TEHILA warrants that its products will be free from defects in material and workmanship for a period of 1 year from the date of purchase. Proof of purchaser's receipt is required to receive this warranty. A replacement for any defective part will be supplied free of charge for installation by you. This 1-year warranty covers the original consumer purchaser only and **DOES NOT INCLUDE BUSINESS, COMMERCIAL, OR INDUSTRIAL USE OF THIS PRODUCT**. This warranty shall not apply to goods which have been subject to accidents, negligence, installation error, product abuse, or misuse. In no event will TEHILA be liable for any consequential, indirect, or special damages, nor shall TEHILA be liable for transportation, labor, or other charges arising out of the removal or reinstallation of its products. Defective parts must be made available for inspection by a TEHILA employee or an authorized representative. Some states do not allow limitations on how long an implied warranty lasts, so the above limitation may not apply to you.

## **WARRANTY CLAIM PROCEDURES AND REQUIREMENTS:**

To obtain TEHILA® warranty service, the customer will need to write to TEHILA explaining the defect, and include proof of purchase receipt, your name, phone number, email address, and mailing address. Information can be emailed to **support@tehilalaundry.com** or mailed to **TEHILA® (Warranty Department), 990 E North Ave., Glendale Heights, IL 60148**.